

Ebb

TMSLIGHTING

ESTABLISHED 1923



Features

- A compact, economical solution for general and localized lighting applications
- Practical options for application and design flexibility
- Weatherproof construction to withstand the elements
- Cool operation for extended lamp and component life
- Quality components combined with the most current technology for high efficiency and reduced lighting costs

Applications

Ebb is ideal for illuminating areas where localized distribution is necessary, such as lounges and patios. It lends itself to commercial applications that could benefit from clean, wide distribution in a stylish design. Ebb could either augment the existing lighting system, or illuminate a small to medium-sized area.

Construction

High grade spun aluminum, or solid copper, with stainless steel hardware, for indoor and outdoor applications. The reflector is 15.5" (39 cm) in diameter.

Lamp

Operates with integrated Cree™ LED (19W max.), compact fluorescent (42W max.), metal halide (100W max.), incandescent (100W max.) light sources; specify 3000K, 3500K, or 4000K CCT for LED systems. A dimmable 17W LED screw type lamp is also available (120V, PAR 38, E26 base, 60° beam, 4000K).

Note: LED systems use 120-277V supply voltage, and are not compatible with 347V. Incandescent and metal halide systems, and those using the 17W LED PAR 38 lamp, use a medium base socket (E26).

Ballast / LED Driver

Ballasts are integral and electronic. They are efficient with a high power factor greater than 90%, and quiet with an "A" sound rating.

The LED source is controlled by an advanced electronic driver that delivers consistent power.

Diffuser

Globe: optional, clear and prismatic glass globes are available for greater diffusion and lamp protection.

Globe with Cast Guard: the combination is available for greater diffusion, and more robust lamp protection.

Lens: a clear, tempered glass lens is optional for lamp protection, and keeping the lamp chamber free of dust and particles.

Note: G1, G3, and G11 are used with 100IN, 32CF, and 15LED max.

Globes are not available with the 17W LED PAR 38 lamps.

Surge Suppressor

All 120V, 277V, and universal voltage fixtures are equipped with a 6kV surge suppressor.

Dimming

CF dimming options include the Mark 7 ® (0-10V), Mark 10 ® (line voltage), DALI (addressable), or Ecosystem ®.

The LED dimming option is the 0-10V current-sinking type.

Note: Dimming is not available with 347V systems, or for outdoor CF applications.

Use a current-sinking dimming system (by others) for LED dimming.

Compatibility of this product is not guaranteed with all control systems.

Ebb



Features

- A compact, economical solution for general and localized lighting applications
- Practical options for application and design flexibility
- Weatherproof construction to withstand the elements
- Cool operation for extended lamp and component life
- Quality components combined with the most current technology for high efficiency and reduced lighting costs

TMSLIGHTING

ESTABLISHED 1923

Emergency

For CF systems, an integral, canopy-mounted, emergency back-up is available, in either the standard temperature, or cold temperature type.

For integrated LED systems, integral and remote mount emergency back-ups are available in the standard temperature or cold temperature type.

The test switch and indicator light would be remote.

Note: The emergency option is not available with the 17W LED PAR 38 lamp.

See specifications in "Emergency Backups for Pendant Lights".

Mounting

Mount to the ceiling, directly to a standard 4" electrical junction box. Choose either the stem mount (1/2" NPT std., 5ft. / 1.524 m max.), or the drop cord/aircraft cable mount (10 ft. / 3.048 m max.).

Note: The aircraft cable or ceiling slope adapter may be required to comply with the local seismic/earthquake code. Follow the installation instructions, and adhere to your local electrical code.

Mounting Accessories

Aircraft Cable: for drop cord mounting, the steel cable provides additional support.

Ceiling Slope Adapter: for stem mounting, keeps the pendant hanging vertically, correcting up to a 20° slope max.

Finish

Available in brushed copper, brushed aluminum, specialty, polyester powder-coated, and RAL finishes; see the "Finishes and Diffusers" chart.

Custom and RAL finishes are available by special order.

Note: A clear coat is applied to copper, yet patina will form over time.

Compliances

QPS-C/US, or UL-C/US certified to UL1598 standards. Rated IP20 with the drop cord/aircraft cable mount, for use in dry, indoor locations; IP23 with the stem mount, for outdoor locations.

The Consultants Europe (CE) listing is available upon request.



Ebb

TMSLIGHTING

ESTABLISHED 1923

EBB

1 2 3 4 5 6 7 8 9 10 11

Project: _____
 Type: _____
 Quantity: _____

Notes:

1 • Location

I: Indoor
 O: Outdoor

2 • Diameter

15: 15.5" (39 cm) dia.

3 • Lamping

100IN: 100W incandescent
 17LED: 17W LED, PAR 38, screw
 type lamp (supplied)
 15LED: 15W LED
 19LED: 19W LED
 26CF: 26W PL-T
 32CF: 32W PL-T
 42CF: 42W PL-T
 70MH: 70W MH (E-17)
 100MH: 100W MH (E-17)

4 • Mounting

CRD: 120" Drop cord (indoor)
 CRD: 120" CF Drop cord (indoor)
 CRD: 120" MH Drop cord (indoor)
 C__ : Stem mount 1", 6", 12",
 18", 24", 36", 48" or 60"

5 • LED CCT (color temp.)

30K: 3000K (CRI 80)
 35K: 3500K (CRI 80)
 40K: 4000K (CRI 80)

6 • Voltage

120: 120V
 277: 277V
 347: 347V (n/a with LED)

7 • Finish

Specialty
 BR: Brushed aluminum
 CO: Solid copper (brushed; stem
 mount would be black)

Plated
 AN: Anodized (bright)

Powder-coated
 F05: White
 F06: Clay brown
 F08: Midnight blue
 F09: Pewter
 F10: Fire red
 F13: Forest green
 F14: Sunshine yellow
 F15: Matte black
 F16: Gloss black
 F18: Flat aluminum
 F19: Mirror silver
 F21: Architectural bronze
 F22: Harvest gold
 F24: Melted platinum (textured)
 F25: Melted gold (textured)
 F26: Melted copper (textured)
 F31: Silver metallic
 F32: Bronze metallic
 F33: Pyrite bronze
 RAL: RAL custom color (specify)

8 • Globes / Diffuser

—: None
 G1: Clear, elongated globe
 G3: Prismatic, elongated globe
 G11: Clear, elongated globe with cast guard
 LNS: Clear, flat lens
 Note: G1, G3, G11, and are used with 100IN, 32CF, and
 15LED max.
 The globe is not available with the 17W LED lamp.

9 • Dimming

—: None
 DIM: CF dimming (Advance Mark 10 @)
 DIMV: CF dimming (Advance Mark 7 @; 0-10V)
 DIMD: CF dimming (Advance DALI)
 DIME: CF dimming (Lutron Ecosystem @)
 DIML: LED dimming (0-10V, current-sinking)
 Note: n/a with 347V systems, or for outdoor CF applications.

10 • Emergency

—: None
 EM: Integral CF or LED (min. operating temp. +5°C/+40°F)
 EMC: Integral CF or LED cold pack (min. operating temp. -20°C/-4°F)
 EMR: Remote LED (dry location only; 20 ft. / 6.096 m max. distance
 from lamp to EM; min. operating temp. 5°C/40°F)
 EMCR: Remote LED cold pack (20 ft. / 6.096 m max. distance from
 lamp to EM; min. operating temp. -20°C/-4°F)

11 • Mounting Accessories

—: None
 ACC: Aircraft cable for drop cords (10 ft. / 3.048 m length)
 BL: Ceiling slope adapter for stem mounting
 (20° slope max.)
 Note: May be required to comply with the local seismic/
 earthquake code.

Note: Some options may not be compatible with others. To ensure compatibility between options, please visit tmslighting.com, on the "details" page of this luminaire, and use the configuration tool.

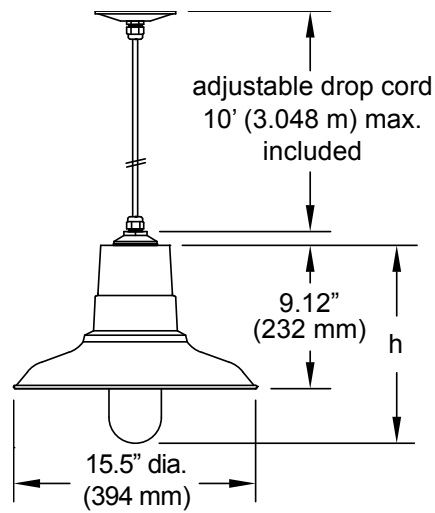


Ebb

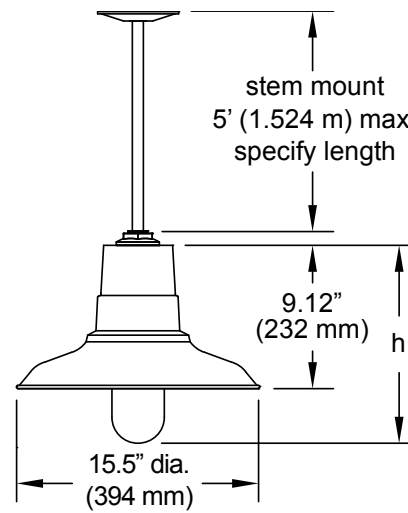
TMSLIGHTING

ESTABLISHED 1923

Drop Cord Mount



Stem Mount



Globe	Height (h)
G1	9.6"
G3	9.6"
G11	12.85"

Custom

TMS Lighting can customize this and many of our standard fixtures. The dimensions, lamp types, enclosure and colors could be modified to suit your lighting and architectural requirements. Contact your local representative for more details: <http://tmslighting.com/info/agents>

Specifications are subject to change without notice.

TMS Lighting Inc.
247A Summerlea Road,
Brampton, Ontario,
Canada. L6T 4E1
Web Site: tmslighting.com

North America: (905) 793-1174
Toll-free: (866) 793-1174
Fax: (905) 793-1175
UK & Europe: 44-1474-250-654