

FIGURE 1

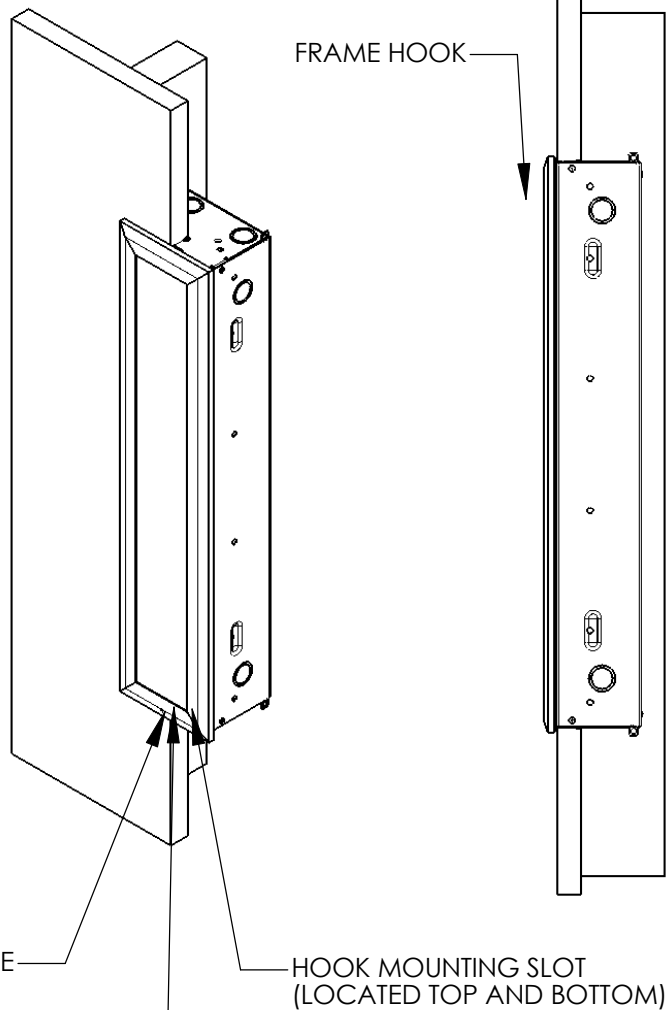


FIGURE 3

1. INSTALL RECESSED HOUSING ACCORDING TO WALL MOUNT RECESSED HOUSING INSTRUCTIONS.
2. WIRE LAMP PLATE AS NECESSARY TO LINE VOLTAGE IN RECESSED BOX.
3. INSTALL LAMP PLATE INTO RECESSED BOX (FIGURE 1), USING #8 SCREWS PROVIDED (2 PLACES, FIGURE 1). THE REFLECTOR SHOULD BE ADJUSTED SO THAT THE FRONT FLANGE IS FLUSH TO THE WALL.
4. INSTALL LAMP.
5. ATTACH FRAME BY LINING UP THE FRAME HOOK ON THE FRAME WITH THE HOOK MOUNTING SLOT ON THE LAMP PLATE ASSEMBLY. ANGLE THE FRAME CATCHING THE HOOK INTO THE SLOT AND SWING FRAME CLOSED HOLDING IN PLACE.
6. INSERT A 5/64 ALLEN WRENCH INTO THE SOCKET HEAD SCREW ACCESS HOLE, TIGHTENING THE SCREW, UNTIL THE FRAME IS PULLED FLUSH WITH THE WALL.

When using electrical equipment, basic safety precautions should always be followed, including the following:
 1) Read all instructions carefully before installing and save for future use. Make sure all connections are in accordance with the National Electrical Code and local regulations.
 2) To avoid possible electric shock, be sure the power supply is turned off before servicing or installing the fixture. Service should be performed by qualified personnel.
 3) These instructions may not cover all details or variations. If additional information is needed, please contact Visa Lighting.

Drawing : 760469XX
Rev : D Sheet 1 of 1

VISA LIGHTING
 An Oldenburg Group Company
 1717 West Civic Drive Milwaukee, WI 53209
 414-354-6600
 Design Modification Rights Reserved
 © Visa Lighting 2004

INSTALLATION INSTRUCTIONS: CV1648-CV1664
Fixture family name: VISAGE

Description: LAMP PLATE AND FRAME
 INSTALLATION INSTRUCTIONS

Drawing : 760469XX
 Rev: D

Sheet 1 of 1
 Eng: GJW

Date drawn: 2/26/2004