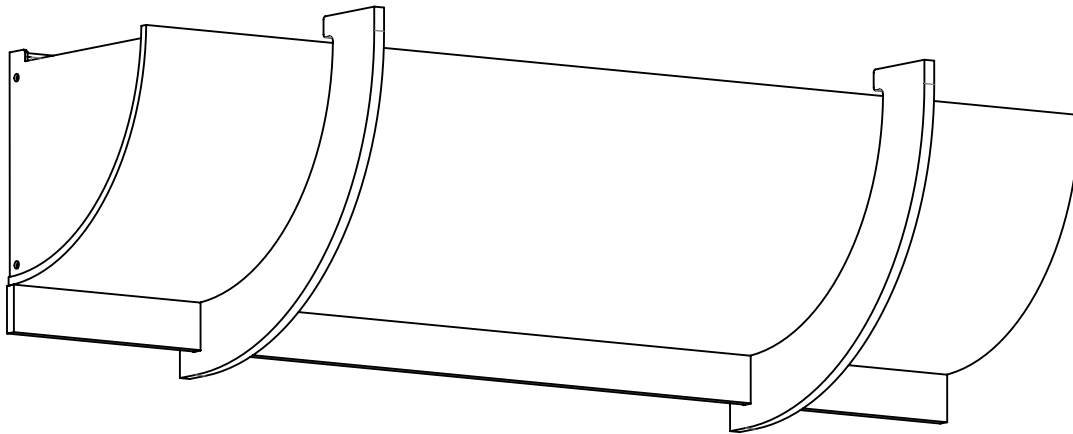


INSTALLATION INSTRUCTIONS

Model: **CB6432, CB6434, CB6463, CB6444, CB6446, CB6448**
Fixture Family: **TUSK**
Document Description: Installation Instructions for
TUSK Series Luminaires

VISA LIGHTING
AN OLDENBURG GROUP COMPANY
1717 West Civic Drive Milwaukee, WI 53209
414-354-6600
Design Modification Rights Reserved
© Visa Lighting 2016



*STYLE AND SIZE MAY VARY

TUSK

CB6432	CB6444
CB6434	CB6446
CB6436	CB6448

Drawing: 762265XX

Rev: A

Sheet: 1 of 3

Eng: CLD

Date Drawn: 02/03/17

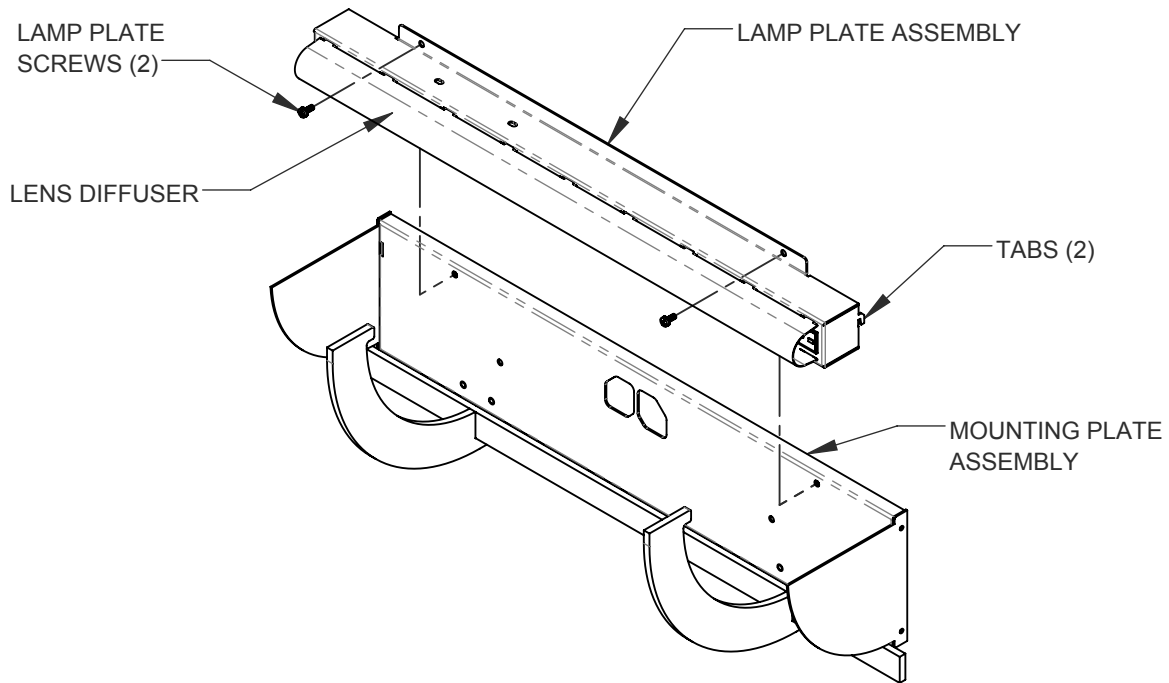
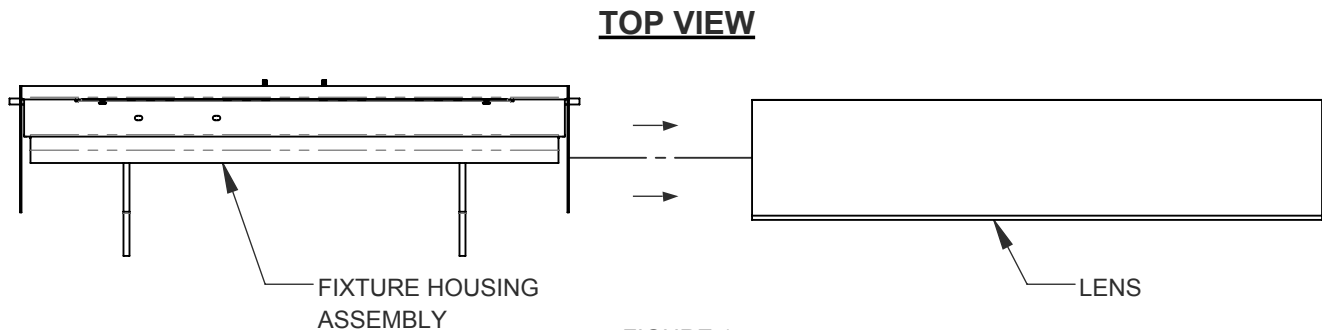
! When using electrical equipment, basic safety precautions should always be followed, including the following:

- Read all instructions carefully before installing and save for future use.
- Make sure all connections are in accordance with the National Electrical Code and local regulations.
- To avoid possible electric shock, be sure the power supply is turned off before servicing or installing the fixture.
- Service should be performed by qualified personnel.
- These instructions may not cover all details or variations. If additional information is needed, please contact Visa Lighting.

INSTALLATION INSTRUCTIONS

Model: **CB6432, CB6434, CB6463, CB6444, CB6446, CB6448**
Fixture Family: **TUSK**
Document Description: Installation Instructions for
TUSK Series Luminaires

VISA LIGHTING
AN OLDENBURG GROUP COMPANY
1717 West Civic Drive Milwaukee, WI 53209
414-354-6600
Design Modification Rights Reserved
© Visa Lighting



1. Slide lens out from fixture housing assembly. Set lens aside. (Figure 1)
2. Remove lamp plate assembly by loosening lamp plate screws.
3. Unhook lamp plate tabs from mounting plate assembly by pushing up on lamp plate and **not the diffuser**. Pushing on the diffuser will damage it.
4. Set lamp plate assembly aside. Be careful not to damage or scratch the lens diffuser.
5. Refer to page 3 for instructions on how to mount the mounting plate assembly to the mounting surface.

When using electrical equipment, basic safety precautions should always be followed, including the following:

- Read all instructions carefully before installing and save for future use.
- Make sure all connections are in accordance with the National Electrical Code and local regulations.
- To avoid possible electric shock, be sure the power supply is turned off before servicing or installing the fixture.
- Service should be performed by qualified personnel.
- These instructions may not cover all details or variations. If additional information is needed, please contact Visa Lighting.

Drawing: 762265XX

Rev: A

Sheet: 2 of 3

Eng: CLD

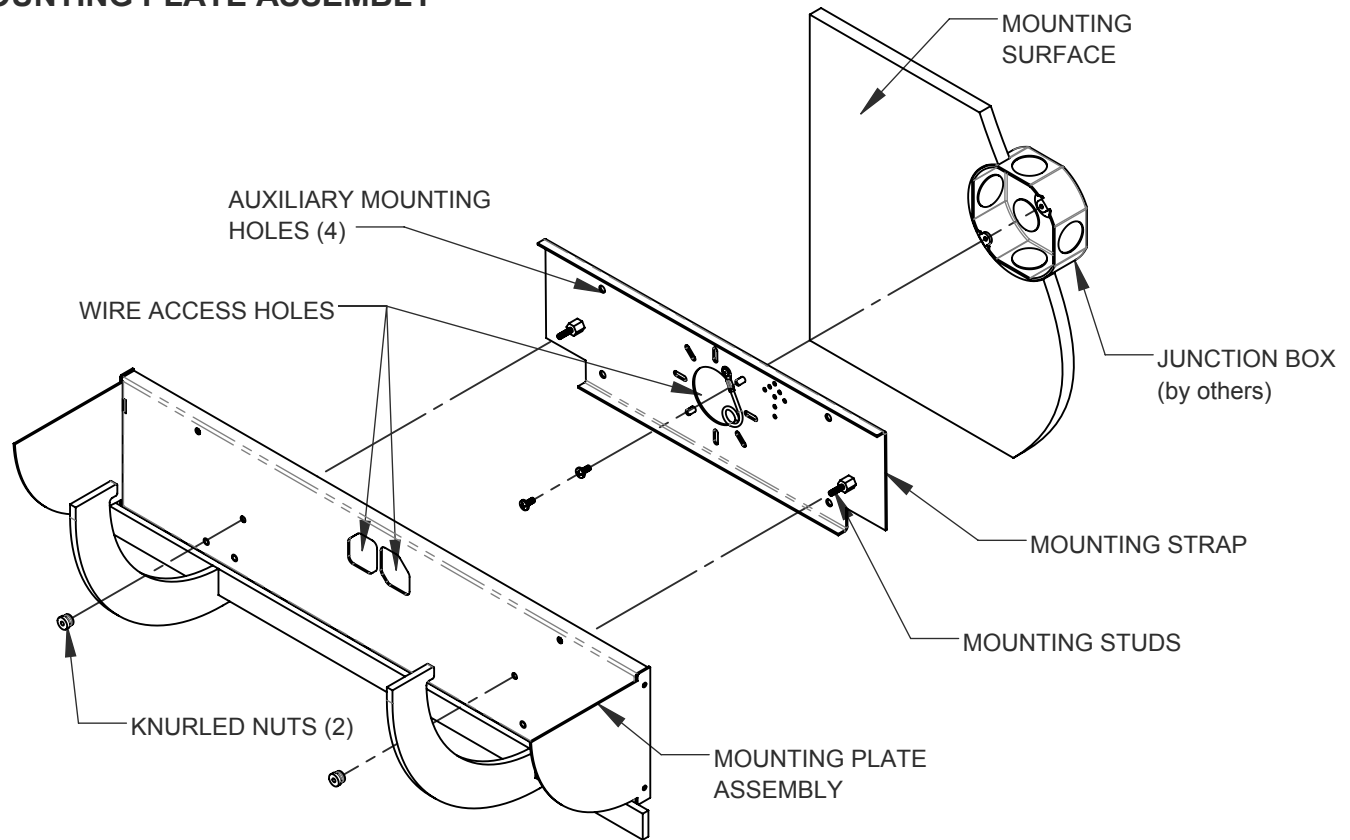
Date Drawn: 02/03/17

INSTALLATION INSTRUCTIONS

Model: **CB6432, CB6434, CB6463, CB6444, CB6446, CB6448**
Fixture Family: **TUSK**
Document Description: Installation Instructions for
TUSK Series Luminaires

VISA LIGHTING
AN OLDENBURG GROUP COMPANY
1717 West Civic Drive Milwaukee, WI 53209
414-354-6600
Design Modification Rights Reserved
© Visa Lighting

MOUNTING PLATE ASSEMBLY



1. Install mounting strap over junction box (by others) and mark the holes for auxiliary mounting on mounting surface. Make sure the mounting strap is level before marking the holes.
2. Remove the mounting strap and install wall anchors where locations were marked on the mounting surface.
3. Reinstall mounting strap over junction box. Secure mounting strap to mounting surface using the auxiliary mounting holes. Make sure the arrow on the mounting strap is pointing up.
4. Slide mounting plate assembly onto mounting strap using the studs on the mounting strap. Feed wires through access holes in mounting strap and mounting plate assembly, being careful not to pinch the wires. Secure with knurled nuts.
5. Make wire connections per national and local codes.
6. Reverse steps on page 2 to complete proper installation.

When using electrical equipment, basic safety precautions should always be followed, including the following:

- Read all instructions carefully before installing and save for future use.
- Make sure all connections are in accordance with the National Electrical Code and local regulations.
- To avoid possible electric shock, be sure the power supply is turned off before servicing or installing the fixture.
- Service should be performed by qualified personnel.
- These instructions may not cover all details or variations. If additional information is needed, please contact Visa Lighting.

Drawing: 762265XX

Rev: A

Sheet: 3 of 3

Eng: CLD

Date Drawn: 02/03/17