

# St. Germain™



CP4632-COPR



CP4636-0BRZ

INDOOR

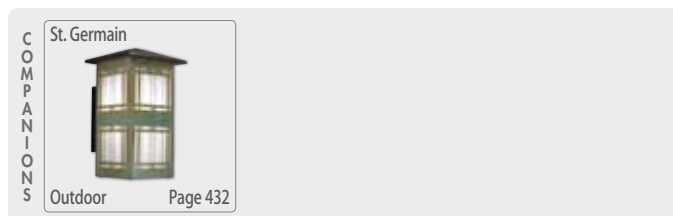
PENDANT

ADA

XPS

LED

NEW



## Features

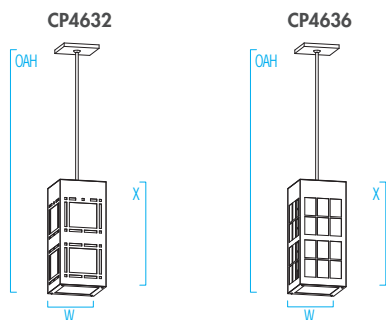
- 5 year product warranty
- Fabricated metal housing with internal reinforcing corner extrusions
- Internal shadow panel creates a three dimensional effect
- Oven cured no VOC acrylic powder coat for painted finishes; oven cured low VOC clear coat on metal finishes
- Clear tempered sandblasted glass side and bottom panels
- Easy tool-less relamping
- Fluorescent or incandescent source
- High power factor electronic ballast (fluorescent source)
- Mounts to standard electrical junction box (by others) for sloped ceiling up to 45 degrees from horizontal
- ETL listed to UL standards (US and Canada) for indoor damp locations. Not recommended for exterior applications

## Suggested Variations

- Custom color or material
- Increase or decrease body height and/or width
- Custom cutout or logo in housing panels
- Silk screened logo on window panels
- Hand Painted Alabaster Alternative or other specialty diffuser material
- Alternate source up to rated wattage listed
- Can accommodate metal halide source up to 70w with remote ballast
- Add fluorescent dimming ballast
- Add remote emergency battery pack
- Include fused circuit protection
- Sloped ceiling Adaptor for ceiling slopes greater than 45 degrees
- Weather tether to secure fixture from wind or excess movement. Safety requirement for all outdoor covered applications

| Order Code Example |                | Color Code Required for Painted Finishes |                                |  |
|--------------------|----------------|--|--------------------------------|--|
| CP4636             | 2QF26 (MVOLT)  | OBRZ                                     | XPS                            | OAH(36)  |
| Model Number       | Source         | Finish                                   | Options                        | Dimensions   |
| CP4632             | 2QF26<br>1N150 | (Painted)<br>BA<br>BB<br>• BU<br>• BZ    | DCC<br>SSV<br>TR(Paint)<br>XPS | <b>OAH must be specified</b><br>Standard dimensions are shown below<br>W 7" (178 mm)<br>OAH 36" (914 mm)<br>X 15-1/2" (394 mm) |
| CP4636             | 2QF26<br>1N150 |  |                                | W 7" (178 mm)<br>OAH 36" (914 mm)<br>X 15-1/2" (394 mm)  |

**Line Drawings**  
 OAH is the distance (in inches) from the bottom of the fixture to the ceiling plane.  
 Example - OAH(36) indicates an overall fixture height of 36"  
 W = Width      OAH = Overall Height      X = Housing Height



**Abbreviation Key**

- Indicated Finish or Option is not available with XPS

**Source (Voltage)**

| Specify Voltage or MVOLT                            |  |
|---|--|
| MVOLT fixture accepts 120 through 277 input voltage |  |
| QF26  | 26w quad, 4-pin G24q-3 base, FLR (MVOLT; 347V) |
| N150  | 150w A-21, medium base, INC (120V)             |

**Finishes (see inside back cover)**

- (Painted) **Color Code Required** - see color chart.
- BA Brushed Aluminum
- BB Brushed Brass
- BU Brushed Copper
- BZ Brushed Bronze

**Options**

- DCC Damp clear coat for metal finishes (required for 5 year warranty when used in damp locations)
- SSV Square Stem Sleeve
- TR(Paint) Top aluminum cast roof, **Color Code Required** - see color chart
- XPS Express 10 day shipping

**Photometrics & 3D Modeling**  
 Complete BIM, Sketchup, and Photometric files for these models can be downloaded from [www.visalighting.com](http://www.visalighting.com)

| IES File Number | LER | Report |
|-----------------|-----|--------|
| CP4632-2QF26    | 27  |        |
| CP4636-2QF26    | 27  |        |

