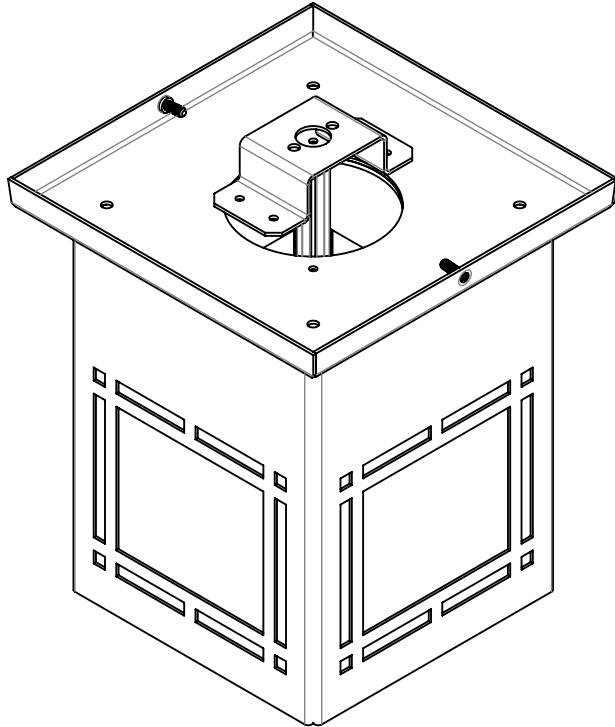


MIDLAND ARTS/MIDLAND CRAFTS/ST. GERMAIN CEILING MOUNT

INCLUDES THE FOLLOWING CONFIGURATIONS

CM1562
CM1563
CM1566
CM1574
CM1578
CM1582



When using electrical equipment, basic safety precautions should always be followed, including the following:
1) Read all instructions carefully before installing and save for future use. Make sure all connections are in accordance with the National Electrical Code and local regulations.
2) To avoid possible electric shock, be sure the power supply is turned off before servicing or installing the fixture. Service should be performed by qualified personnel.
3) These instructions may not cover all details or variations. If additional information is needed, please contact Visa Lighting.

Drawing : 760457XX
Rev : A Page 1 of 2



1717 West Civic Drive Milwaukee, WI 53209
414-354-6600
Design Modification Rights Reserved
© Visa Lighting 2015

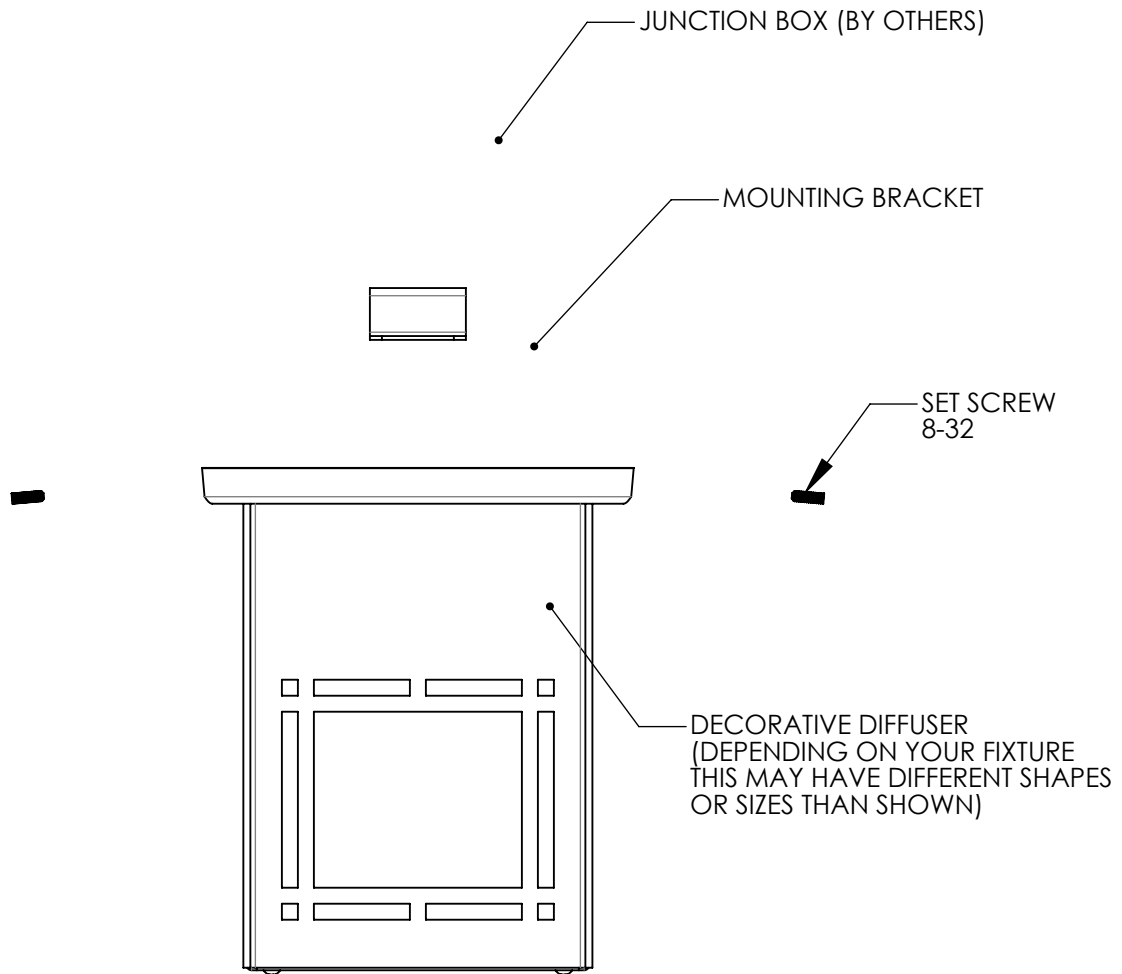
INSTALLATION INSTRUCTIONS:
Fixture family name: St. Germain, Midland

Description: INSTALLATION INSTRUCTIONS
CEILING MOUNT

Drawing : 760457XX
Rev: A

Page 1 of 2
Eng: GJW

Date drawn: 11/24/2003



1. MAKE NECESSARY WIRE CONNECTIONS PER LOCAL, STATE AND NATIONAL CODES.
2. SECURE MOUNTING BRACKET TO JUNCTION BOX WITH SCREWS SUPPLIED WITH JUNCTION BOX (BY OTHERS).
3. ATTACH FIXTURE TO MOUNTING BRACKET USING (2) 8-32 SCREWS PROVIDED.

NOTE: FIXTURE MAY BE PROVIDED WITH DECORATIVE LAY-IN BOTTOM PIECE.

When using electrical equipment, basic safety precautions should always be followed, including the following:
 1) Read all instructions carefully before installing and save for future use. Make sure all connections are in accordance with the National Electrical Code and local regulations.
 2) To avoid possible electric shock, be sure the power supply is turned off before servicing or installing the fixture. Service should be performed by qualified personnel.
 3) These instructions may not cover all details or variations. If additional information is needed, please contact Visa Lighting.

Drawing : 760457XX
Rev : A **Sheet 2 of 2**



1717 West Civic Drive Milwaukee, WI 53209
 414-354-6600
 Design Modification Rights Reserved
 © Visa Lighting 2003

INSTALLATION INSTRUCTIONS:

Fixture family name: St. Germain, Midland

Description: INSTALLATION INSTRUCTIONS
 CEILING MOUNT

Drawing : 760457XX
 Rev: A

Sheet 2 of 2
 Eng: GJW

Date drawn: 11/24/2003