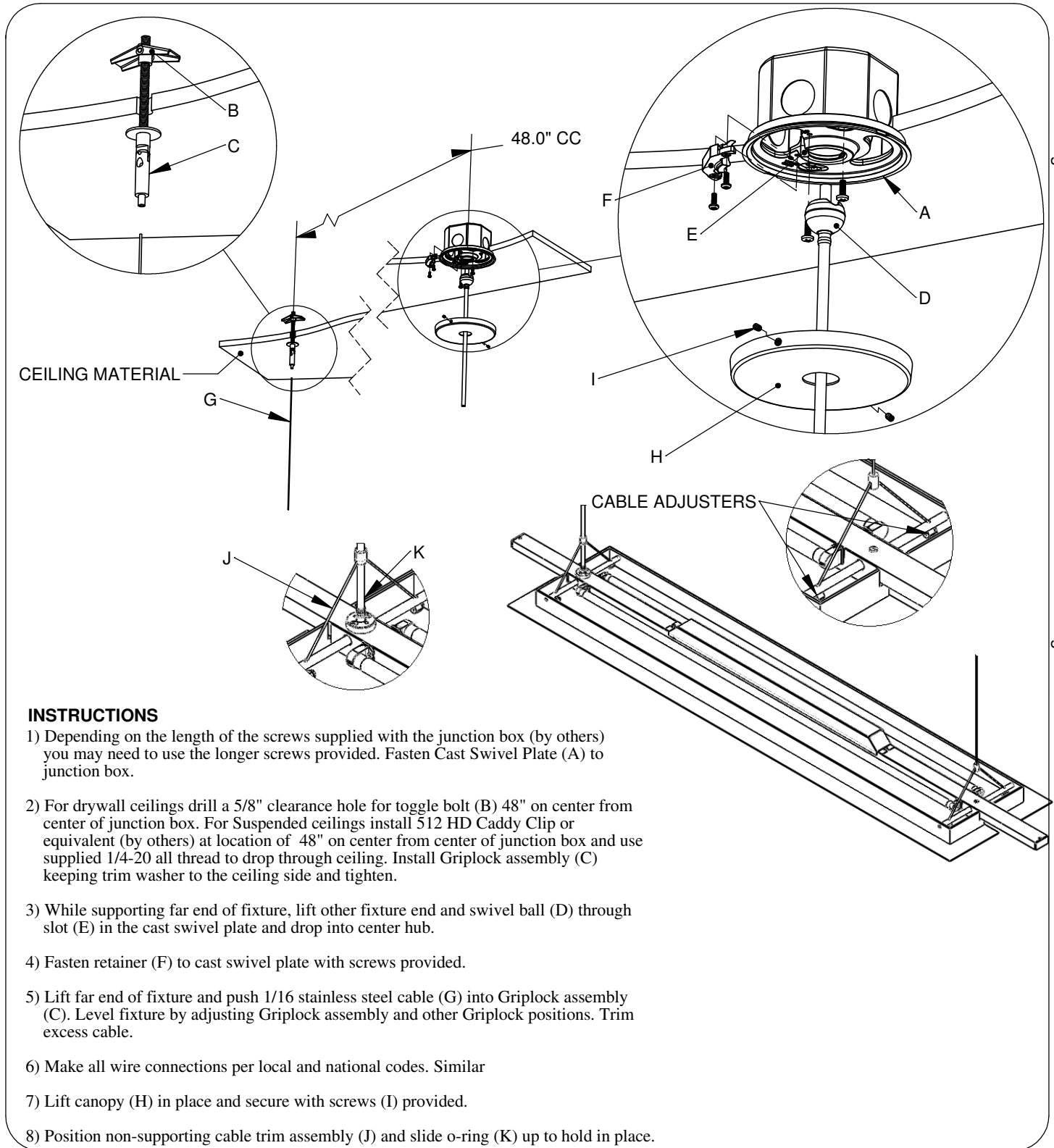


INSTALLATION INSTRUCTIONS

Model: **CP4508**
Fixture Family: **PLANA**
Document Description: Installation Instructions for
POWER ART CABLE Series Luminaires



INSTRUCTIONS

- 1) Depending on the length of the screws supplied with the junction box (by others) you may need to use the longer screws provided. Fasten Cast Swivel Plate (A) to junction box.
- 2) For drywall ceilings drill a 5/8" clearance hole for toggle bolt (B) 48" on center from center of junction box. For Suspended ceilings install 512 HD Caddy Clip or equivalent (by others) at location of 48" on center from center of junction box and use supplied 1/4-20 all thread to drop through ceiling. Install Griplock assembly (C) keeping trim washer to the ceiling side and tighten.
- 3) While supporting far end of fixture, lift other fixture end and swivel ball (D) through slot (E) in the cast swivel plate and drop into center hub.
- 4) Fasten retainer (F) to cast swivel plate with screws provided.
- 5) Lift far end of fixture and push 1/16 stainless steel cable (G) into Griplock assembly (C). Level fixture by adjusting Griplock assembly and other Griplock positions. Trim excess cable.
- 6) Make all wire connections per local and national codes. Similar
- 7) Lift canopy (H) in place and secure with screws (I) provided.
- 8) Position non-supporting cable trim assembly (J) and slide o-ring (K) up to hold in place.

Drawing: 760761XX

Rev: A

Sheet: 1 of 1

Eng: MTC

Date Drawn: 05/12/08

When using electrical equipment, basic safety precautions should always be followed, including the following:

- Read all instructions carefully before installing and save for future use.
- Make sure all connections are in accordance with the National Electrical Code and local regulations.
- To avoid possible electric shock, be sure the power supply is turned off before servicing or installing the fixture.
- Service should be performed by qualified personnel.
- These instructions may not cover all details or variations. If additional information is needed, please contact Visa Lighting.