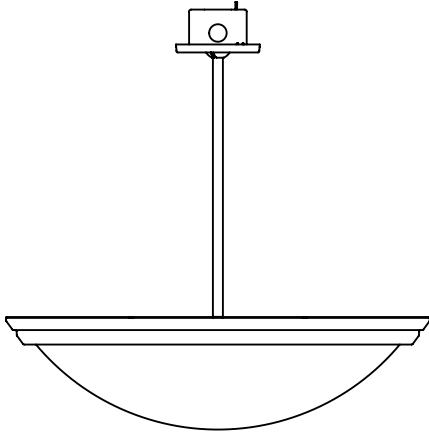


INSTALLATION INSTRUCTIONS

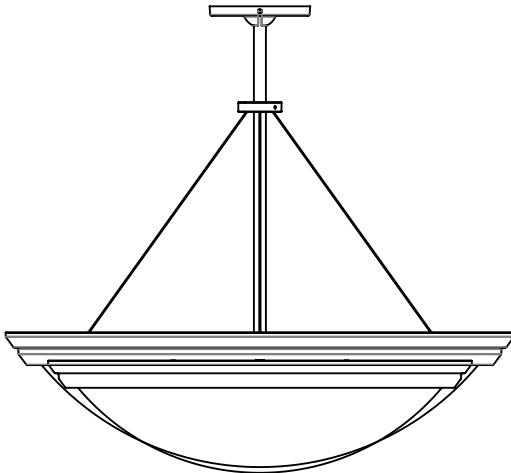
Model: **PENDANTS**
Fixture Family: **PENDANTS**
Document Description: Installation Instructions for
Luminous Bowl Series Luminaires

VISA LIGHTING
AN OLDENBURG GROUP COMPANY
1717 West Civic Drive Milwaukee, WI 53209
414-354-6600
Design Modification Rights Reserved
© Visa Lighting



CARLTON

CP4060	CP4100
CP4064	CP4104
CP4068	CP4108



FAIRFAX

CP4210	CP4270
CP4214	CP4274
CP4118	CP4278

OLYMPIA

CP4150	CP4190
CP4154	CP4194
CP4158	CP4198

Drawing: 760730XX

Rev: B

Sheet: 1 of 3

Eng: CGA

Date Drawn: 03/16/2007

! When using electrical equipment, basic safety precautions should always be followed, including the following:

- Read all instructions carefully before installing and save for future use.
- Make sure all connections are in accordance with the National Electrical Code and local regulations.
- To avoid possible electric shock, be sure the power supply is turned off before servicing or installing the fixture.
- Service should be performed by qualified personnel.
- These instructions may not cover all details or variations. If additional information is needed, please contact Visa Lighting.

INSTALLATION INSTRUCTIONS

Model: **PENDANTS**
Fixture Family: **PENDANTS**
Document Description: Installation Instructions for
Luminous Bowl Series Luminaires

VISA LIGHTING
AN OLDENBURG GROUP COMPANY
1717 West Civic Drive Milwaukee, WI 53209
414-354-6600
Design Modification Rights Reserved
© Visa Lighting

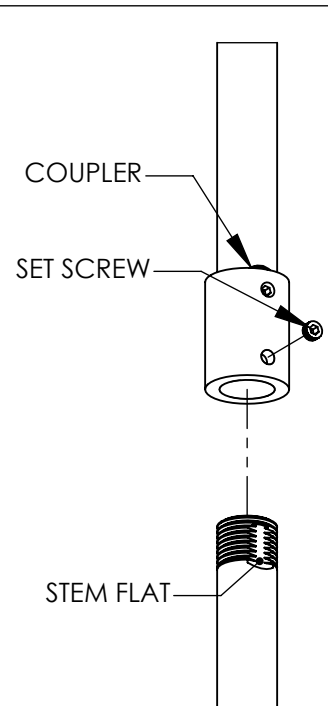
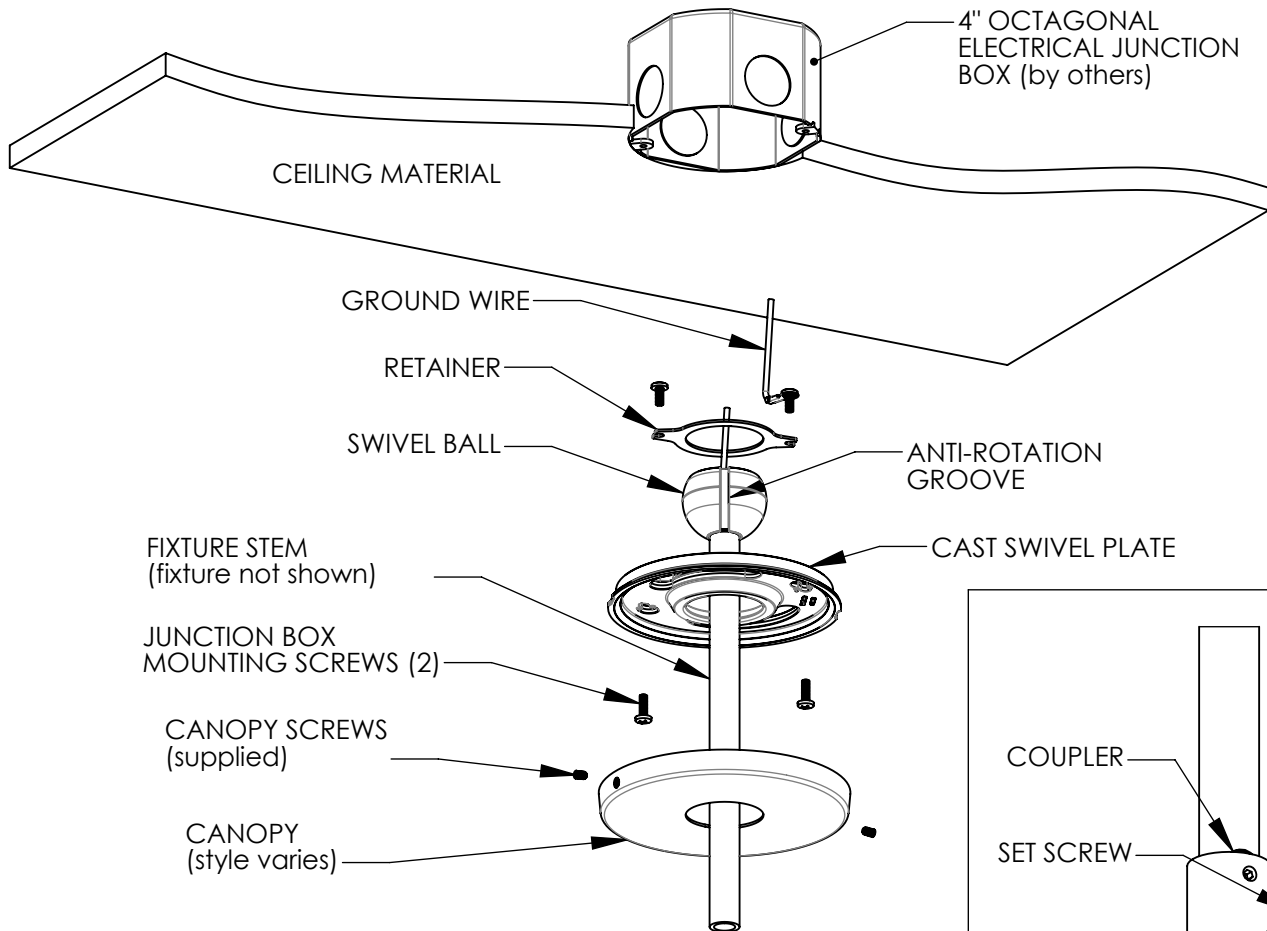
Drawing: 760730XX

Rev: B

Sheet: 2 of 3

Eng: CGA

Date Drawn: 03/16/2007



Preparation

Check all instructions with the fixture as some preparation may be necessary before the following steps

Instructions

1. Depending on the length of screws supplied with the junction box (by others), you may need to use the longer screws provided.
2. Insert swivel ball/stem assembly through cast swivel plate and fasten swivel ball retainer and ground wire with screws provided.
3. Insert stem through canopy, pull fixture wires through stem and securely fasten stem to the fixture.
4. Fasten cast swivel plate to junction box with #8-32 screws provided.
5. Make all wire connections per local and national codes.
6. Lift canopy in place and secure with screws provided.

For a longer stem, attach the stem segments with supplied coupler. Align flats on stem to set screws and securely fasten.

When using electrical equipment, basic safety precautions should always be followed, including the following:

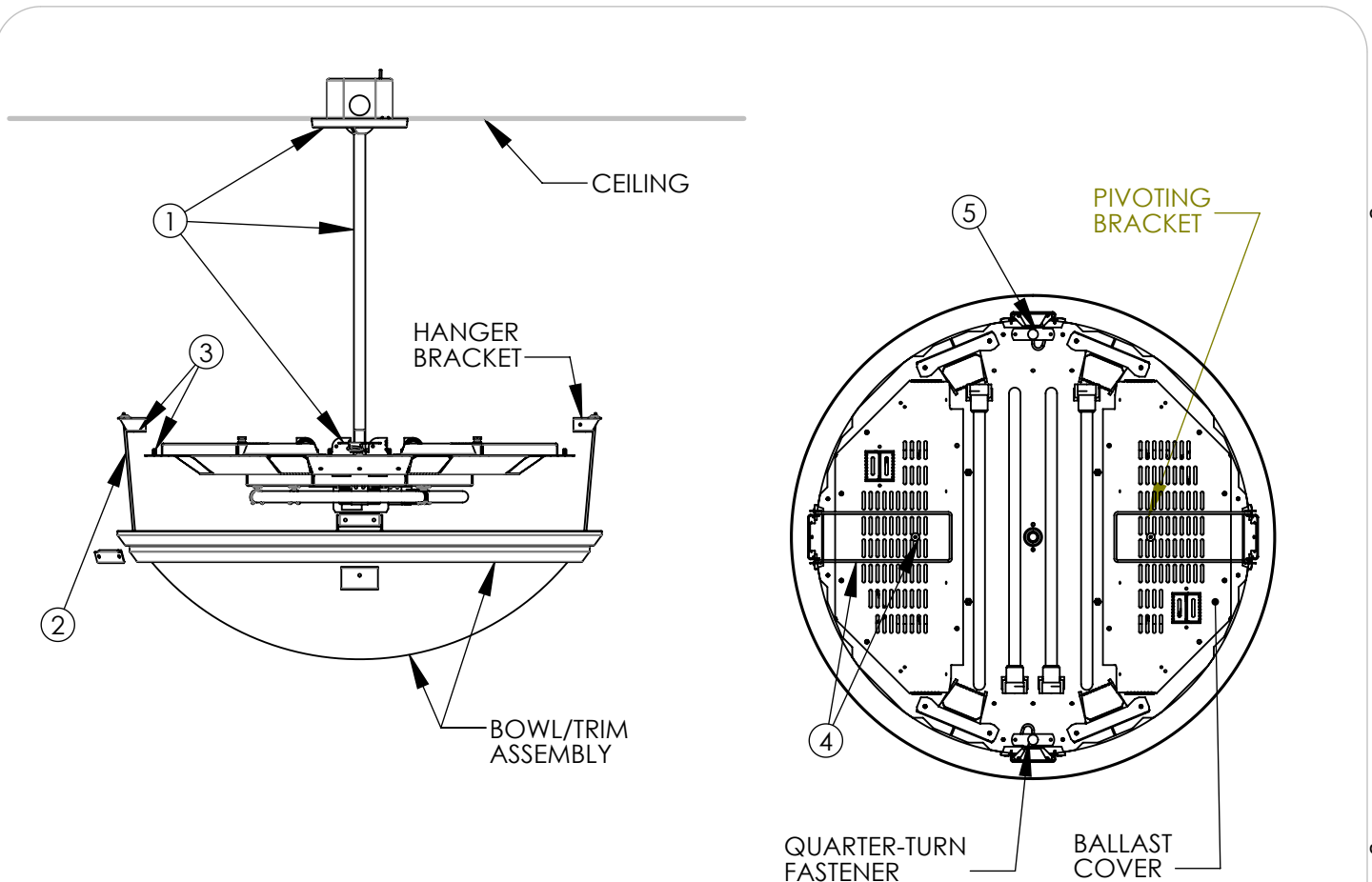
- Read all instructions carefully before installing and save for future use.
- Make sure all connections are in accordance with the National Electrical Code and local regulations.
- To avoid possible electric shock, be sure the power supply is turned off before servicing or installing the fixture.
- Service should be performed by qualified personnel.

• These instructions may not cover all details or variations. If additional information is needed, please contact Visa Lighting.

INSTALLATION INSTRUCTIONS

Model: **PENDANTS**
Fixture Family: **PENDANTS**
Document Description: Installation Instructions for
Luminous Bowl Series Luminaires

VISA LIGHTING
AN OLDENBURG GROUP COMPANY
1717 West Civic Drive Milwaukee, WI 53209
414-354-6600
Design Modification Rights Reserved
© Visa Lighting



Preparation

Check all instructions with the fixture as some preparation may be necessary before the following steps.

Instructions:

1. Install stem, canopy, and lamp plate per separate instructions.
2. Swing up the hanger brackets that are attached to the bowl/trim assembly.
3. Fasten bowl hanger brackets to studs on top side of lamp plate, with #8-32 keps nuts provided.
4. Lift bowl up, pulling up on wire hinges until they fold over onto the ballast covers. Secure with pivoting bracket.
5. Secure alternate sides of bowl/trim assembly by rotating quarter-turn fasteners provided.

Drawing: 760730XX

Rev: B

Sheet: 3 of 3

Eng: CGA

Date Drawn: 03/16/2007

! When using electrical equipment, basic safety precautions should always be followed, including the following:

- Read all instructions carefully before installing and save for future use.
- Make sure all connections are in accordance with the National Electrical Code and local regulations.
- To avoid possible electric shock, be sure the power supply is turned off before servicing or installing the fixture.
- Service should be performed by qualified personnel.
- These instructions may not cover all details or variations. If additional information is needed, please contact Visa Lighting.