

# INSTALLATION INSTRUCTIONS



**VISA LIGHTING**

An Oldenburg Group Company

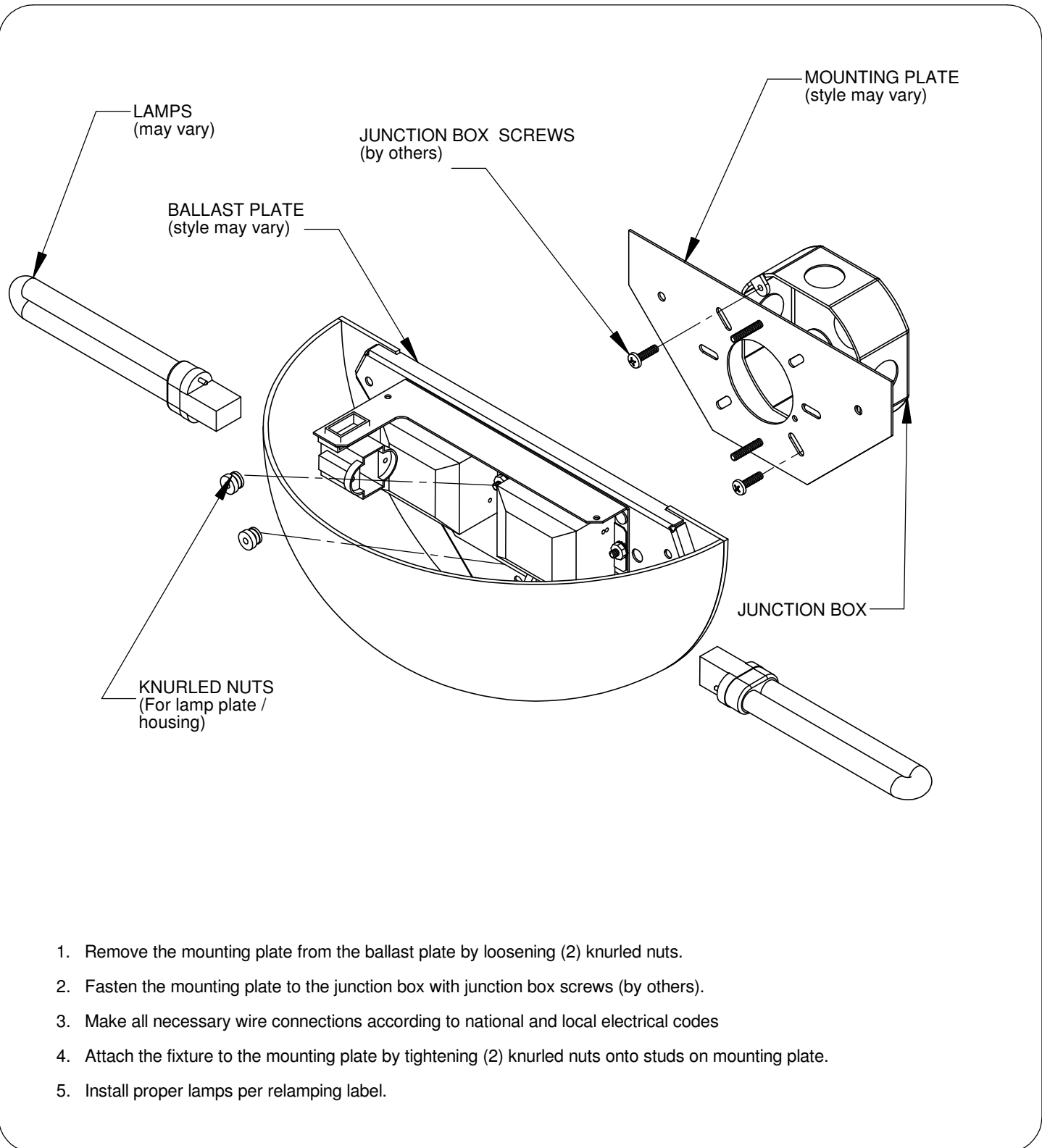
1717 West Civic Drive Milwaukee, WI 53209

414-354-6600

Design Modification Rights Reserved

© Visa Lighting

Model: **LUMINOUS WALL SCONCE**  
Fixture Family: **LUMINOUS SERIES**  
Document Description: Installation Instructions for  
LUMINOUS WALL SCONCE Series Luminaires



Drawing: 760728XX

Rev: B

Sheet: 1 of 1

Eng: PAO

Date Drawn:

1. Remove the mounting plate from the ballast plate by loosening (2) knurled nuts.
2. Fasten the mounting plate to the junction box with junction box screws (by others).
3. Make all necessary wire connections according to national and local electrical codes
4. Attach the fixture to the mounting plate by tightening (2) knurled nuts onto studs on mounting plate.
5. Install proper lamps per relamping label.



When using electrical equipment, basic safety precautions should always be followed, including the following:

- Read all instructions carefully installing and save for future use.
- Make sure all connections are in accordance with the National Electrical Code and local regulations.
- To avoid possible electric shock, be sure the power supply is turned off before servicing or installing the fixture
- Service should be performed by qualified personnel.

• These instructions may not cover all details or variations. If additional information is needed, please contact Visa Lighting.