

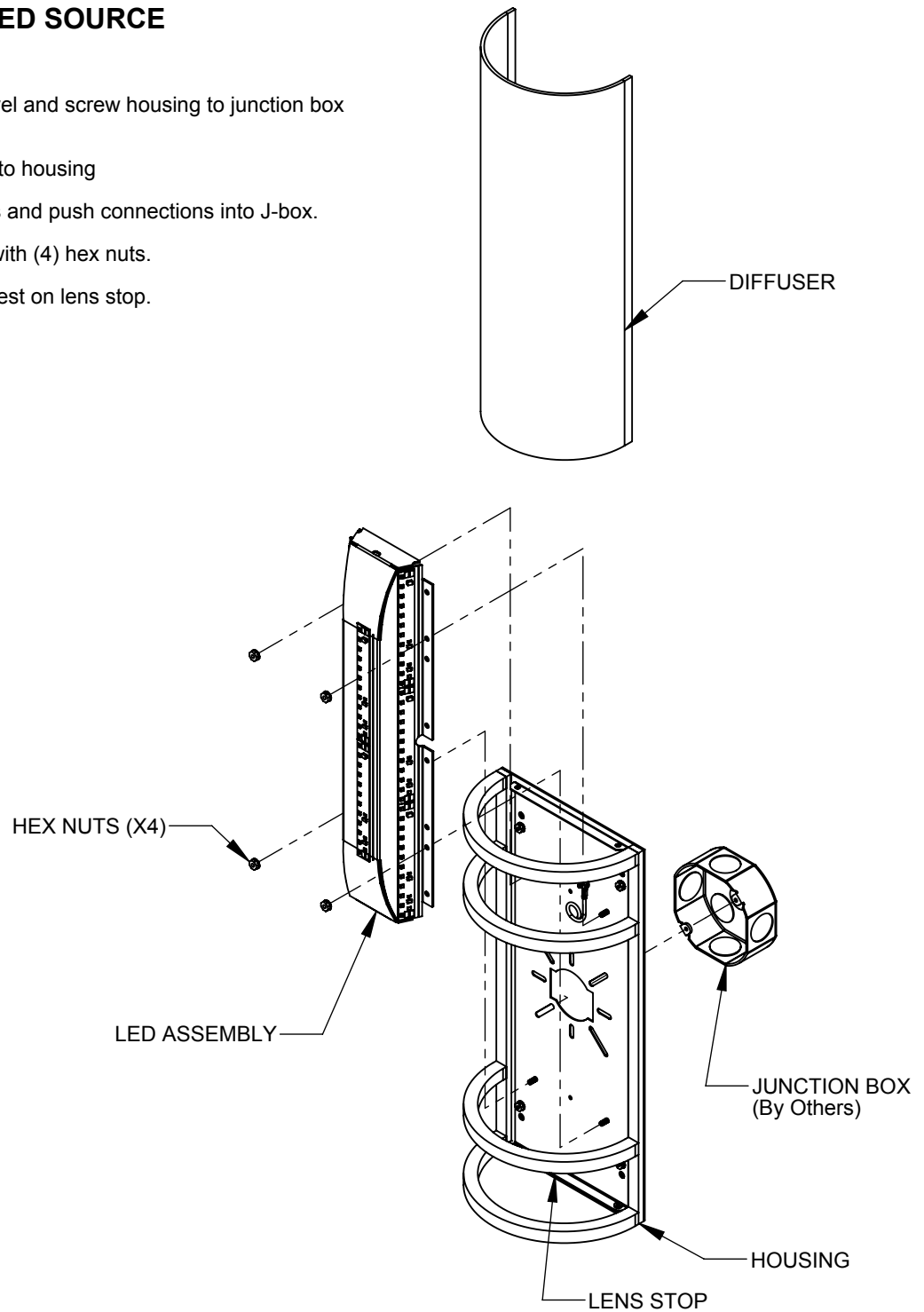
INSTALLATION INSTRUCTIONS

Model: **CB INDOOR**
Fixture Family: **COLONNADE**
Document Description: Installation Instructions for
COLONNADE Series Luminaires

1717 West Civic Drive Milwaukee, WI 53209
414-354-6600
Design Modification Rights Reserved
© Visa Lighting

ADA COLONNADE- LED SOURCE

1. Make sure fixture is level and screw housing to junction box with fasteners (by others).
2. Place lamping assembly in to housing
3. Make electrical connections and push connections into J-box.
3. Secure lamping assembly with (4) hex nuts.
4. Carefully install diffuser to rest on lens stop.



Drawing: 760647XX

Rev: A

Sheet: 1 of 3

Eng: DAS

Date Drawn: 3/12/2014

When using electrical equipment, basic safety precautions should always be followed, including the following:

- Read all instructions carefully before installing and save for future use.
- Make sure all connections are in accordance with the National Electrical Code and local regulations.
- To avoid possible electric shock, be sure the power supply is turned off before servicing or installing the fixture.
- Service should be performed by qualified personnel.
- These instructions may not cover all details or variations. If additional information is needed, please contact Visa Lighting.

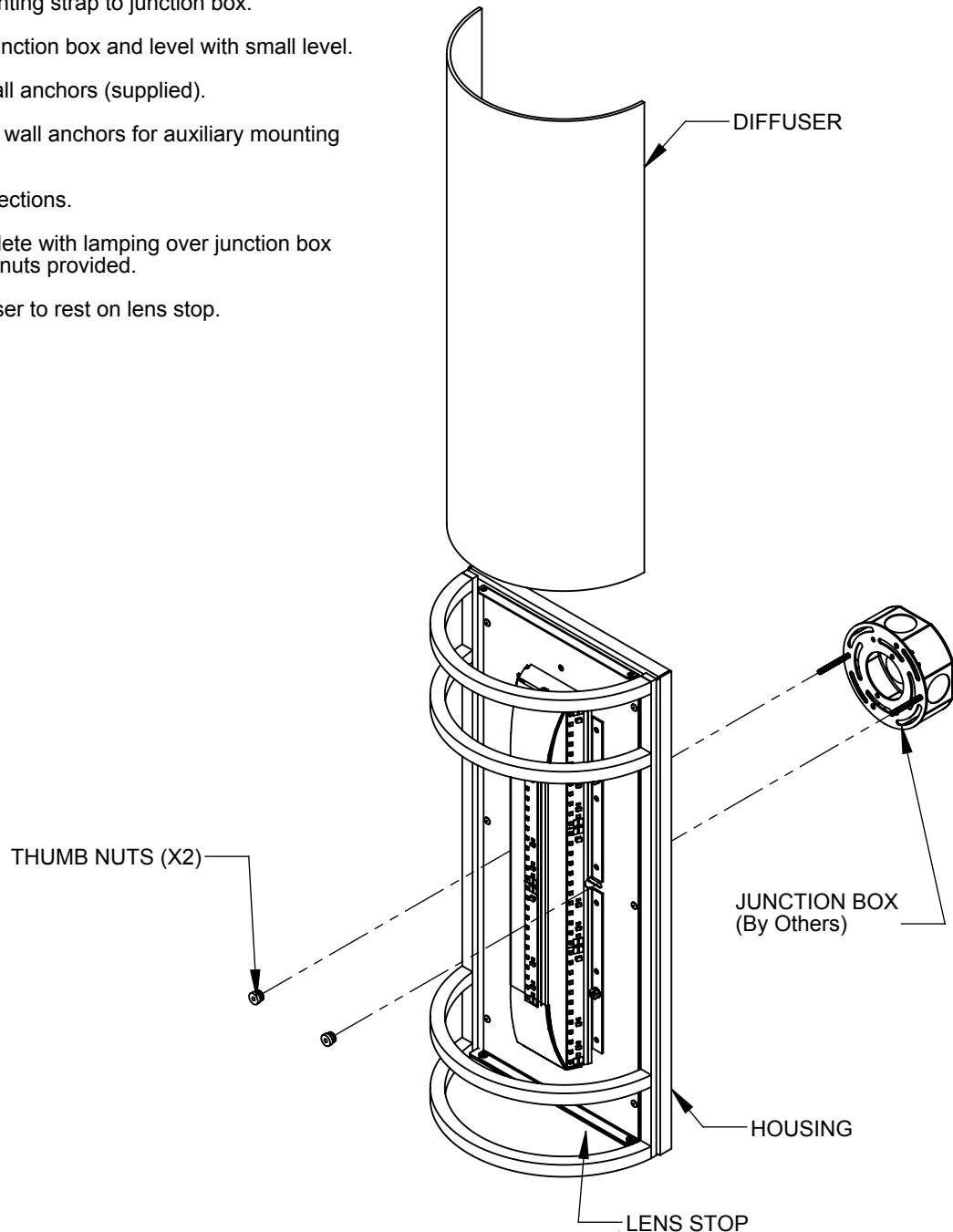
INSTALLATION INSTRUCTIONS

Model: **CB INDOOR**
Fixture Family: **COLONNADE**
Document Description: Installation Instructions for
COLONNADE Series Luminaires

1717 West Civic Drive Milwaukee, WI 53209
414-354-6600
Design Modification Rights Reserved
© Visa Lighting

20" COLONNADE - LED SOURCE

1. Install universal mounting strap to junction box.
2. Locate fixture over junction box and level with small level.
3. Mark locations for wall anchors (supplied).
4. Drill holes and install wall anchors for auxiliary mounting holes.
5. Make electrical connections.
6. Install housing complete with lamping over junction box and secure with thumb nuts provided.
7. Carefully install diffuser to rest on lens stop.



Drawing: 760647XX

Rev: A

Sheet: 2 of 3

Eng: DAS

Date Drawn: 3/12/2014

! When using electrical equipment, basic safety precautions should always be followed, including the following:

- Read all instructions carefully before installing and save for future use.
- Make sure all connections are in accordance with the National Electrical Code and local regulations.
- To avoid possible electric shock, be sure the power supply is turned off before servicing or installing the fixture.
- Service should be performed by qualified personnel.
- These instructions may not cover all details or variations. If additional information is needed, please contact Visa Lighting.

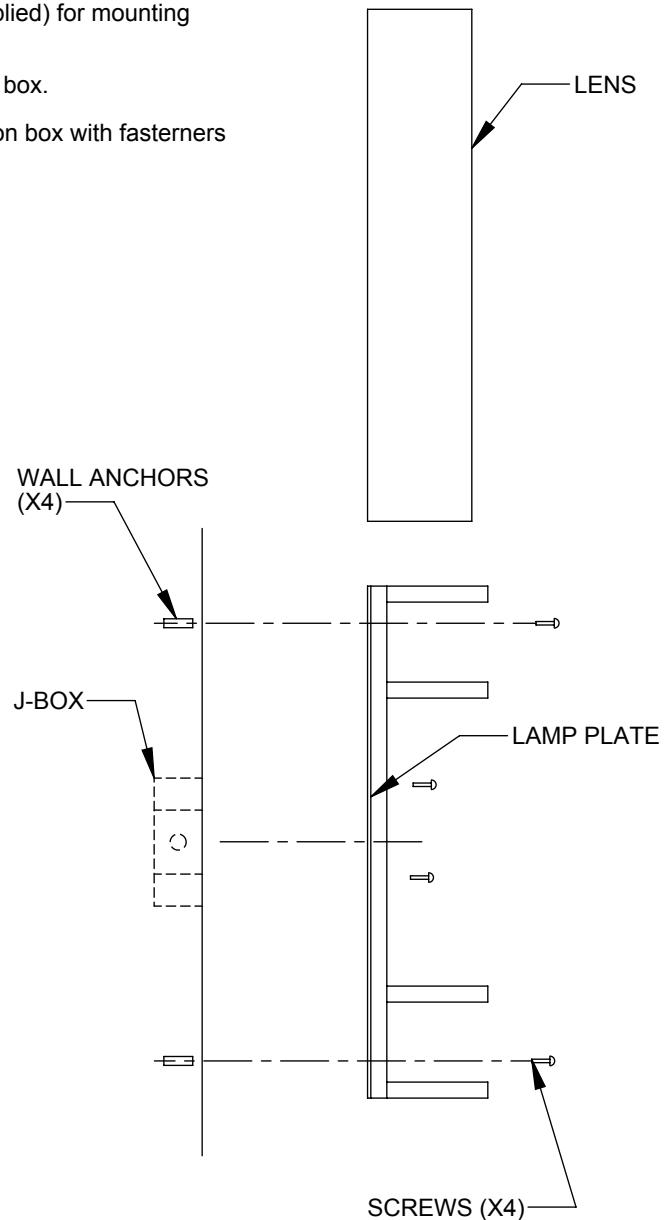
INSTALLATION INSTRUCTIONS

Model: **CB INDOOR**
Fixture Family: **COLONNADE**
Document Description: Installation Instructions for
COLONNADE Series Luminaires

1717 West Civic Drive Milwaukee, WI 53209
414-354-6600
Design Modification Rights Reserved
© Visa Lighting

ADA COLONNADE - FLUORESCENT & INCANDESCENT SOURCE

1. Place fixture onto junction box, make sure fixture is level, locate the (4) mounting holes in lamp plate and mark on wall.
2. Remove fixture from junction box. Install wall anchors (supplied) for mounting fixture to wall.
3. Make electrical connections. Push connections into junction box.
4. Secure to wall with fasteners provided and secure to junction box with fasteners supplied by others. Make sure fixture is level.
5. Place lamps in lampholders.
6. Install lens housing.



Drawing: 760647XX

Rev: A

Sheet: 3 of 3

Eng: DAS

Date Drawn: 3/12/2014



When using electrical equipment, basic safety precautions should always be followed, including the following:

- Read all instructions carefully before installing and save for future use.
- Make sure all connections are in accordance with the National Electrical Code and local regulations.
- To avoid possible electric shock, be sure the power supply is turned off before servicing or installing the fixture.
- Service should be performed by qualified personnel.
- These instructions may not cover all details or variations. If additional information is needed, please contact Visa Lighting.