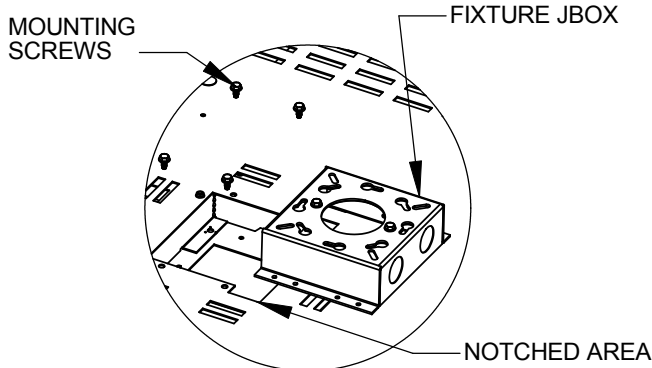


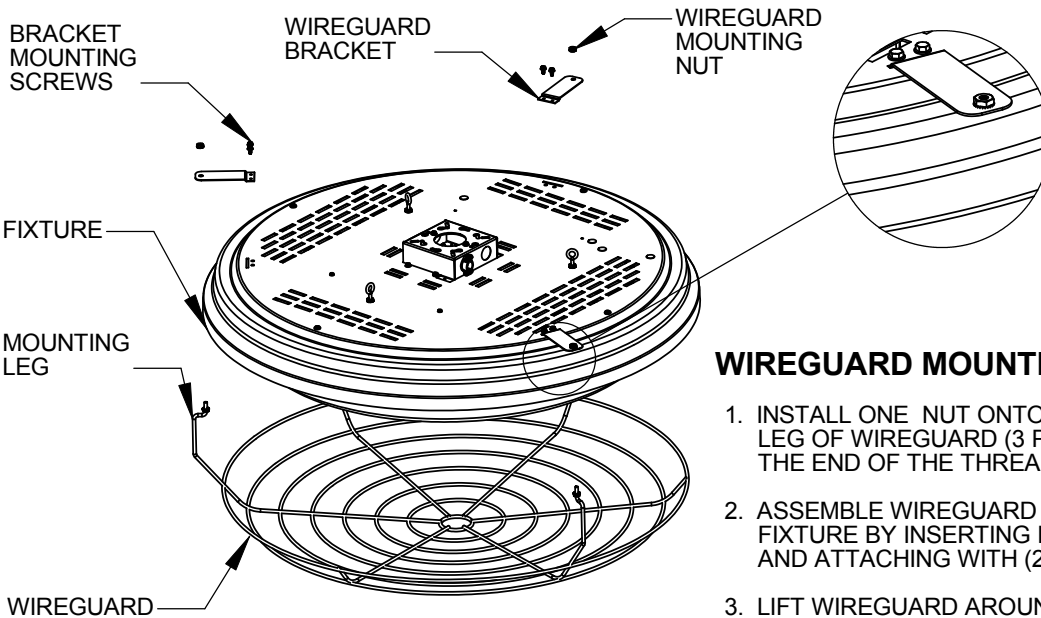
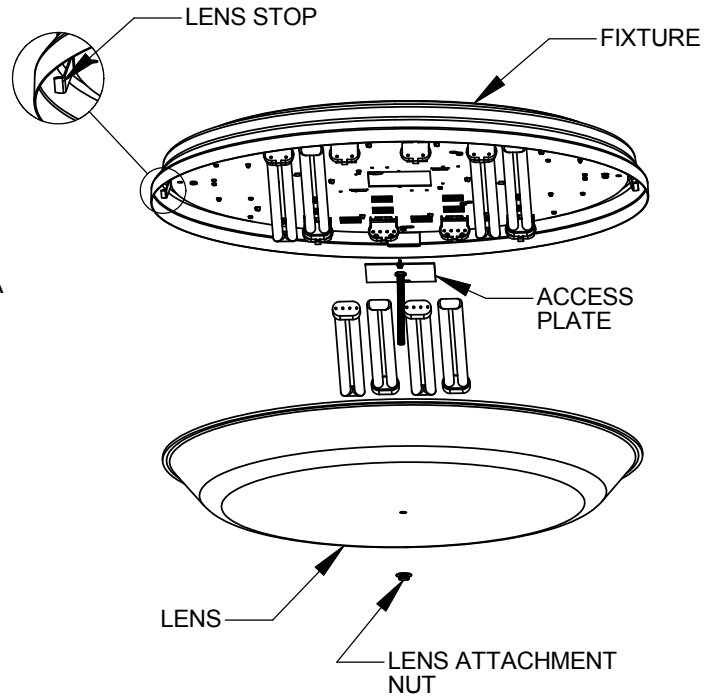
INSTALLATION INSTRUCTIONS

Model: **MIDBAY**
Fixture Family: **MIDBAY**
Document Description: Installation Instructions for
MIDBAY Series Luminaires

LENS ATTACHMENT, JBOX MOUNTING AND ACCESS



1. ANGLE FIXTURE JBOX THROUGH NOTCHED AREA IN HOUSING AND SLIDE INTO POSITION SO THAT JBOX MOUNTING FLANGE IS UNDER HOUSING EDGE AND SCREW HOLES ARE ALIGNED.
2. ATTACH WITH (4) SCREWS PROVIDED THROUGH HOUSING INTO JBOX FROM TOP AS SHOWN.
3. REMOVE ACCESS PLATE FOR MOUNTING AND WIRING BY LOOSENING SCREWS (2), THEN TURN AND SLIDE PLATE TO THE SIDE.
4. MOUNT AND WIRE PER PAGE 2 AND 3.
5. LENS IS ATTACHED BY LIFTING INTO FIXTURE AND SECURING WITH ATTACHMENT NUT AGAINST LENS STOPS.



WIREGUARD MOUNTING

1. INSTALL ONE NUT ONTO EACH MOUNTING LEG OF WIREGUARD (3 PLACES). TURN NUT TO THE END OF THE THREADS.
2. ASSEMBLE WIREGUARD BRACKETS TO FIXTURE BY INSERTING INTO SLOT ON HOUSING AND ATTACHING WITH (2) MOUNTING SCREWS.
3. LIFT WIREGUARD AROUND FIXTURE AND INSERT MOUNTING LEGS THROUGH HOLES IN BRACKET. ATTACH WITH 3 ADDITIONAL NUTS.

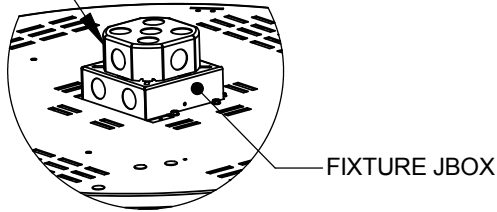
When using electrical equipment, basic safety precautions should always be followed, including the following:

- Read all instructions carefully installing and save for future use.
- Make sure all connections are in accordance with the National Electrical Code and local regulations.
- To avoid possible electric shock, be sure the power supply is turned off before servicing or installing the fixture.
- Service should be performed by qualified personnel.
- These instructions may not cover all details or variations. If additional information is needed, please contact Visa Lighting.

INSTALLATION INSTRUCTIONS

Model: **MIDBAY**
Fixture Family: **MIDBAY**
Document Description: Installation Instructions for
MIDBAY Series Luminaires

JBOX (BY
OTHERS)



SURFACE MOUNTING

1. ASSEMBLE FIXTURE JBOX TO FIXTURE WITH SCREWS (4) PROVIDED. SEE PAGE 1 FOR JBOX MOUNTING AND JBOX ACCESS INSIDE FIXTURE. ASSEMBLE CLOSURE PLATE TO FIXTURE JBOX WITH SCREWS (2) PROVIDED WHEN USING A 4" OCTAGONAL BOX.
2. MAKE ELECTRICAL CONNECTIONS PER CODE.

Drawing: 760635XX

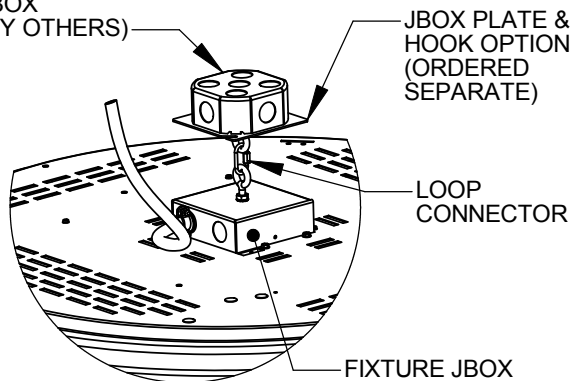
Rev: D

Sheet: 2 of 3

Eng: MAR

Date Drawn: 4/20/2005

JBOX
(BY OTHERS)

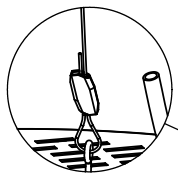


HOOK MOUNTING

1. ASSEMBLE FIXTURE JBOX TO FIXTURE WITH SCREWS (4) PROVIDED. SEE PAGE 1 FOR JBOX MOUNTING AND JBOX ACCESS INSIDE FIXTURE. MAKE ELECTRICAL CONNECTION AT FIXTURE.
2. ASSEMBLE LOOP CONNECTOR TO EYEBOLTS AT FIXTURE AND JBOX PLATE, CLOSE LOOP AND ATTACH TO STRUCTURE. (JPH OPTION CAN BE ORDERED SEPARATE FOR ATTACHMENT TO JBOX)
3. MAKE ELECTRICAL CONNECTIONS PER CODE.

JBOX (BY OTHERS)

LOOPED/CRIMPED
CABLE ENDS



CABLE MOUNTING
DETAIL

CHAIN
MOUNTING
DETAIL



LOOP CONNECTOR

CABLE / CHAIN MOUNTING

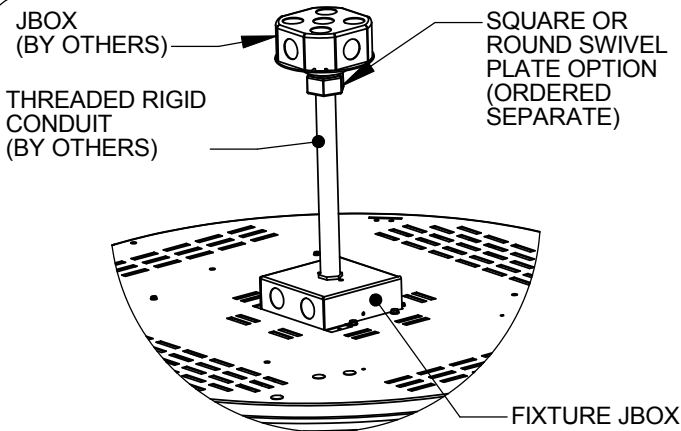
1. ASSEMBLE FIXTURE JBOX TO FIXTURE WITH SCREWS (4) PROVIDED. SEE PAGE 1 FOR JBOX MOUNTING AND JBOX ACCESS INSIDE FIXTURE. MAKE ELECTRICAL CONNECTION AT FIXTURE.
2. LOOP CABLE THRU EYEBOLTS (3) ON FIXTURE AND ATTACH CABLE GRIPPER TO CABLE PER INSTRUCTIONS IN CABLE ASSEMBLY PACKAGE. FOR CHAIN MOUNTING, USE (3) LOOP CONNECTORS TO ATTACH CHAIN TO FIXTURE EYEBOLTS. (SEE DETAILS).
3. ASSEMBLE ALL CABLES OR CHAINS TO LOOP CONNECTOR, ATTACH TO STRUCTURE AND CLOSE LOOP. (JPH OPTION CAN BE ORDERED SEPARATE FOR ATTACHMENT TO JBOX)
4. MAKE ELECTRICAL CONNECTIONS PER CODE.
5. IF DESIRED, ROUTE CORD ALONG THE CABLE/ CHAIN AND SECURE EVERY 6".

When using electrical equipment, basic safety precautions should always be followed, including the following:

- Read all instructions carefully installing and save for future use.
- Make sure all connections are in accordance with the National Electrical Code and local regulations.
- To avoid possible electric shock, be sure the power supply is turned off before servicing or installing the fixture.
- Service should be performed by qualified personnel.
- These instructions may not cover all details or variations. If additional information is needed, please contact Visa Lighting.

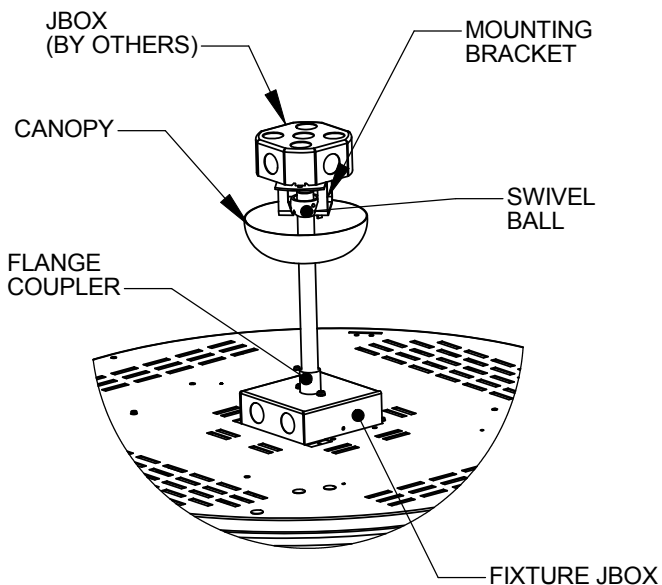
INSTALLATION INSTRUCTIONS

Model: **MIDBAY**
Fixture Family: **MIDBAY**
Document Description: Installation Instructions for
MIDBAY Series Luminaires



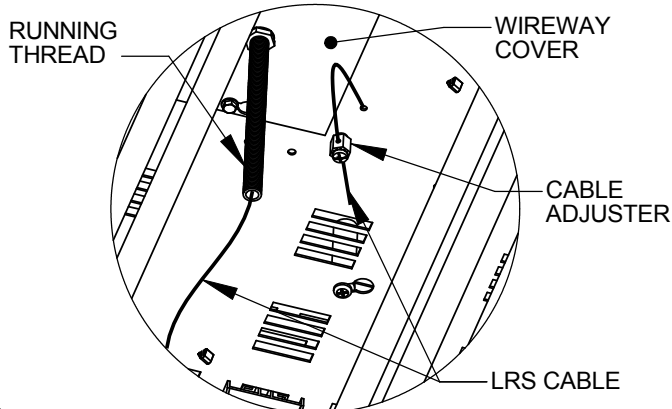
STEM MOUNTING

1. ASSEMBLE FIXTURE JBOX TO FIXTURE WITH SCREWS (4) PROVIDED. SEE PAGE 1 FOR JBOX MOUNTING.
2. ATTACH IMC THREADED CONDUIT (BY OTHERS) TO FIXTURE THROUGH FIXTURE JBOX. ATTACH TO JBOX (BY OTHERS). SEE PAGE 1 FOR JBOX ACCESS INSIDE FIXTURE. (SKS OR SKR SWIVEL KIT OPTION CAN BE ORDERED SEPARATE FOR ATTACHMENT TO JBOX) *CAUTION: LOCKTITE ADHESIVE NEEDS TO APPLIED TO STEM THREADS TO PREVENT LOOSENING OF STEM.
3. MAKE ELECTRICAL CONNECTIONS PER CODE.



PHA OPTION STEM MOUNTING

1. ASSEMBLE FIXTURE JBOX TO FIXTURE WITH SCREWS (4) PROVIDED. SEE PAGE 1 FOR JBOX MOUNTING AND JBOX ACCESS INSIDE FIXTURE.
2. INSERT FLANGE COUPLER THROUGH HOLE IN FIXTURE JBOX FROM BOTTOM OF FIXTURE, ATTACH WITH SCREWS (2) PROVIDED.
3. THREAD STEM INTO COUPLER AT FIXTURE AND TIGHTEN SET SCREW.
4. SLIDE CANOPY DOWN OVER STEM AND THREAD SWIVEL BALL ONTO STEM. *CAUTION: LOCKTITE ADHESIVE NEEDS TO APPLIED TO STEM THREADS TO PREVENT LOOSENING OF STEM.
5. ATTACH MOUNTING BRACKET TO JBOX (BY OTHERS)
6. LIFT FIXTURE ASSEMBLY AND INSERT SWIVEL BALL INTO MOUNTING BRACKET AND ALIGN NOTCHES, ATTACH CANOPY TO MOUNTING BRACKET.
7. MAKE ELECTRICAL CONNECTIONS PER CODE.



LRS OPTION ASSEMBLY

1. SEE PAGE 1 FOR FOR REMOVAL OF WIREWAY COVER.
2. INSERT CABLE ASSEMBLY THROUGH LENS AND RUNNING THREAD ON WIREWAY COVER.
3. INSERT CABLE ASSEMBLY THROUGH HOLE IN LAMP PLATE AND THROUGH HOLE IN CABLE ADJUSTER, TIGHTEN SCREW ONTO CABLE.

When using electrical equipment, basic safety precautions should always be followed, including the following:

- Read all instructions carefully installing and save for future use.
- Make sure all connections are in accordance with the National Electrical Code and local regulations.
- To avoid possible electric shock, be sure the power supply is turned off before servicing or installing the fixture.
- Service should be performed by qualified personnel.
- These instructions may not cover all details or variations. If additional information is needed, please contact Visa Lighting.