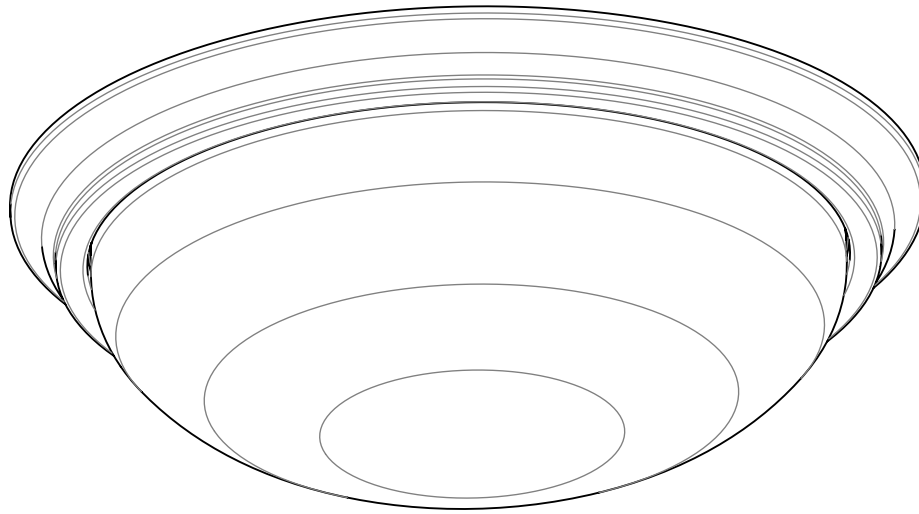


INSTALLATION INSTRUCTIONS

Model: **CM1080, 81, 82, 83 90, 91, 92, 93, 1100, 02**
Fixture Family: **FAIRFAX/ CARLTON/ OLYMPIA**
Document Description: Installation Instructions for
FAIRFAX/ CARLTON/ OLYMPIA



FAIRFAX

CM1080
CM1081
CM1082
CM1083

CARLTON

CM1090
CM1091
CM1092
CM1093

OLYMPIA

CM1100
CM1102

Drawing: 760725XX
Rev: C
Sheet: 1 of 2
Eng: JHP
Date Drawn: 2/19/2007



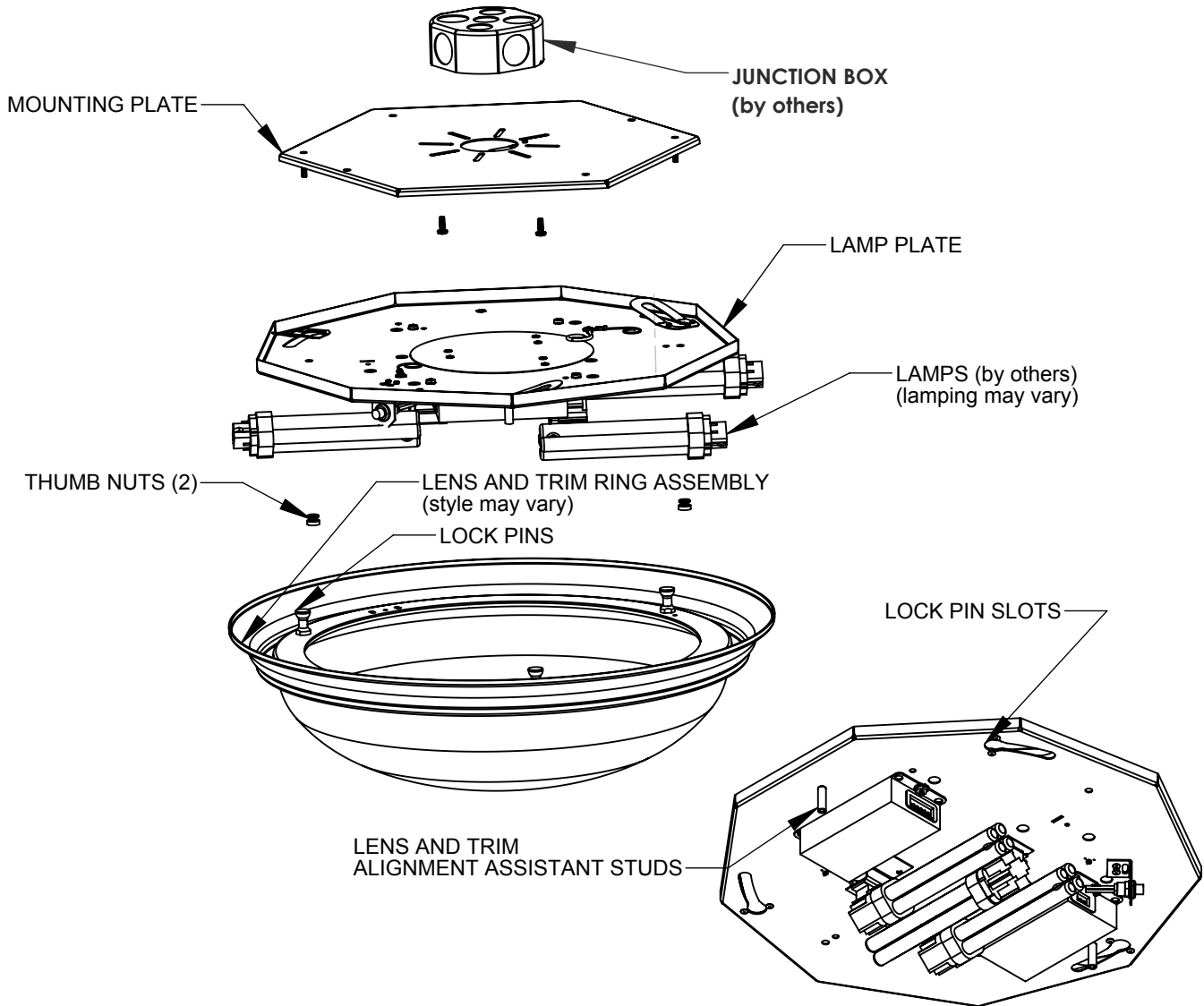
When using electrical equipment, basic safety precautions should always be followed, including the following:

- Read all instructions carefully before installing and save for future use.
- Make sure all connections are in accordance with the National Electrical Code and local regulations.
- To avoid possible electric shock, be sure the power supply is turned off before servicing or installing the fixture.
- Service should be performed by qualified personnel.

• These instructions may not cover all details or variations. If additional information is needed, please contact Visa Lighting.

INSTALLATION INSTRUCTIONS

Model: **CM1080, 81, 82, 83 90, 91, 92, 93, 1100, 02**
Fixture Family: **FAIRFAX/ CARLTON/ OLYMPIA**
Document Description: Installation Instructions for
FAIRFAX/ CARLTON/ OLYMPIA Series Luminaires



Instructions:

1. Remove mounting plate from lamp plate by loosening (2) thumb nuts.
2. Fasten the mounting plate to junction box with junction box screws (by others).
3. Make all necessary wire connections according to national and local electrical codes.
4. Fasten lamp plate on ceiling mounting plate with provided thumb nuts.
5. Install proper lamps (by others) per relamp label.
6. Align the (3) lock pins on the lens and trim assembly with the (3) lock pin slots on the lamp plate by using (2) assistant studs on the lamp plate and rotate lens and trim assembly clockwise. Be sure lens is securely closed.

When using electrical equipment, basic safety precautions should always be followed, including the following:

- Read all instructions carefully installing and save for future use.
- Make sure all connections are in accordance with the National Electrical Code and local regulations.
- To avoid possible electric shock, be sure the power supply is turned off before servicing or installing the fixture.
- Service should be performed by qualified personnel.
- These instructions may not cover all details or variations. If additional information is needed, please contact Visa Lighting.