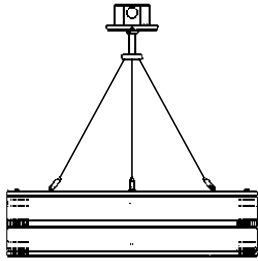
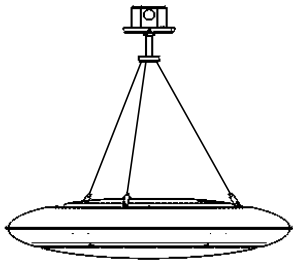


INSTALLATION INSTRUCTIONS

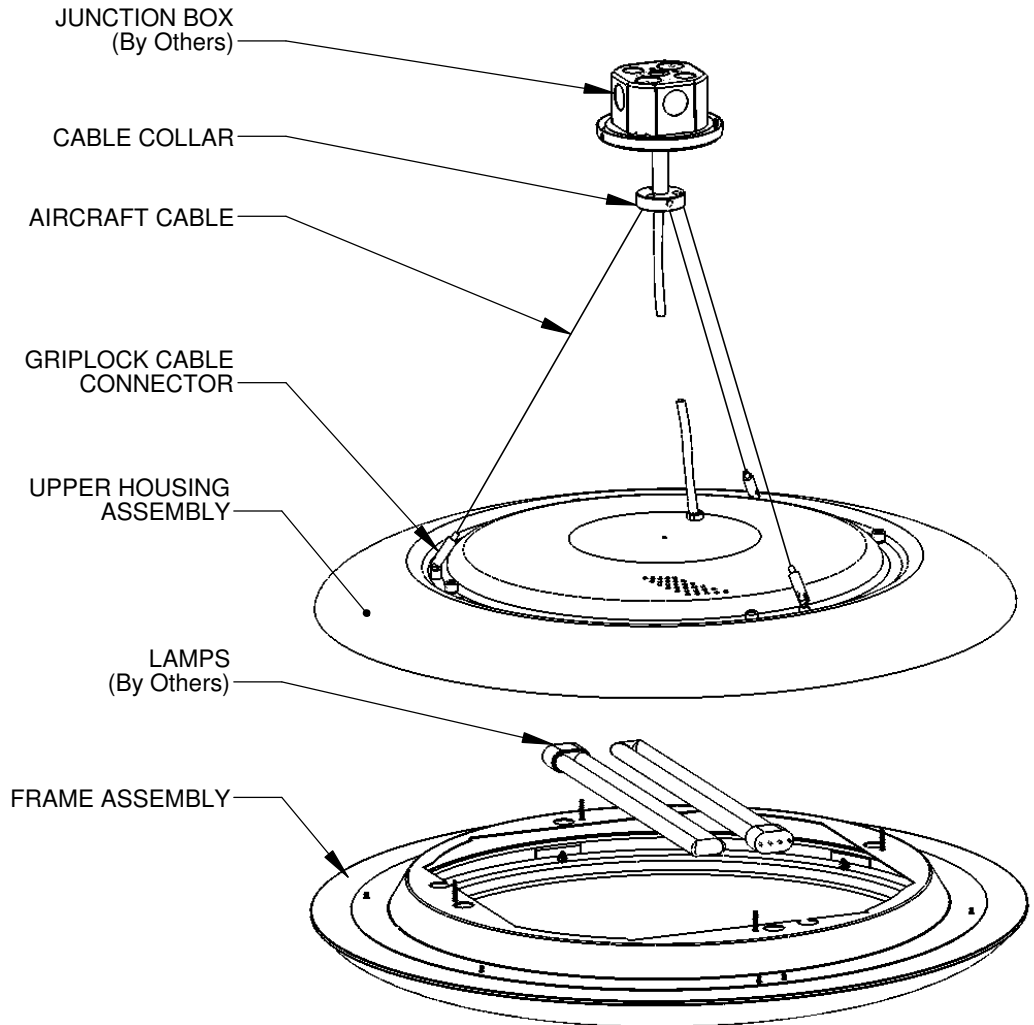
Model: **CP3950, CP3955, CP3970, CP3975**
Fixture Family: **Omnience / Capience**
Document Description: Installation Instructions for
Omnience / Capience Series Luminaires



OMNIENCE



CAPIENCE



TYPICAL FIXTURE

1. Assemble swivel hanger and canopy per instructions on separate installation instructions and hang fixture.
2. Make all wire connections in accordance with all national and local codes.
3. Adjust aircraft cable at griplock connectors as needed.
4. Lower frame assembly by loosening captive nuts at top of upper housing.
5. Install lamps.
6. Raise frame assembly and align screws with captive nuts in upper housing and tighten.
Note: Be sure to align so that clearance holes on frame assembly are in line with any hardware protruding on inside of upper housing.

When using electrical equipment, basic safety precautions should always be followed, including the following:

- Read all instructions carefully before installing and save for future use.
- Make sure all connections are in accordance with the National Electrical Code and local regulations.
- To avoid possible electric shock, be sure the power supply is turned off before servicing or installing the fixture.
- Service should be performed by qualified personnel.
- These instructions may not cover all details or variations. If additional information is needed, please contact Visa Lighting.