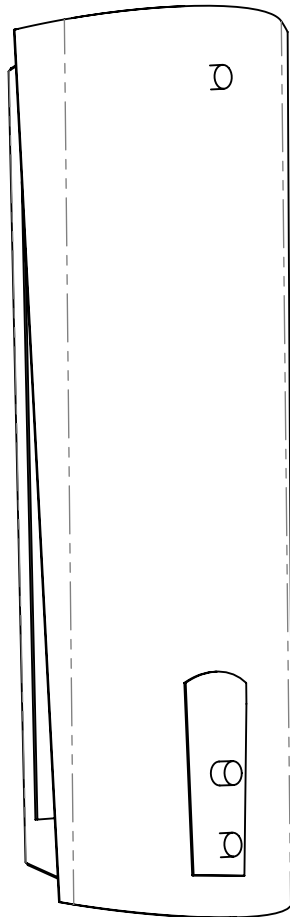


# INSTALLATION INSTRUCTIONS

**VISA LIGHTING**  
AN OLDENBURG GROUP COMPANY  
1717 West Civic Drive Milwaukee, WI 53209  
414-354-6600  
Design Modification Rights Reserved  
© Visa Lighting

Model: **CB6220**  
Fixture Family: **CAMBER**  
Document Description: Installation Instructions for  
CAMBER WALL SCONCE



## CAMBER CB6220

Drawing: 760285XX

Rev: A

Sheet: 1 of 3

Eng: CLD

Date Drawn: 04/20/17

**!** When using electrical equipment, basic safety precautions should always be followed, including the following:

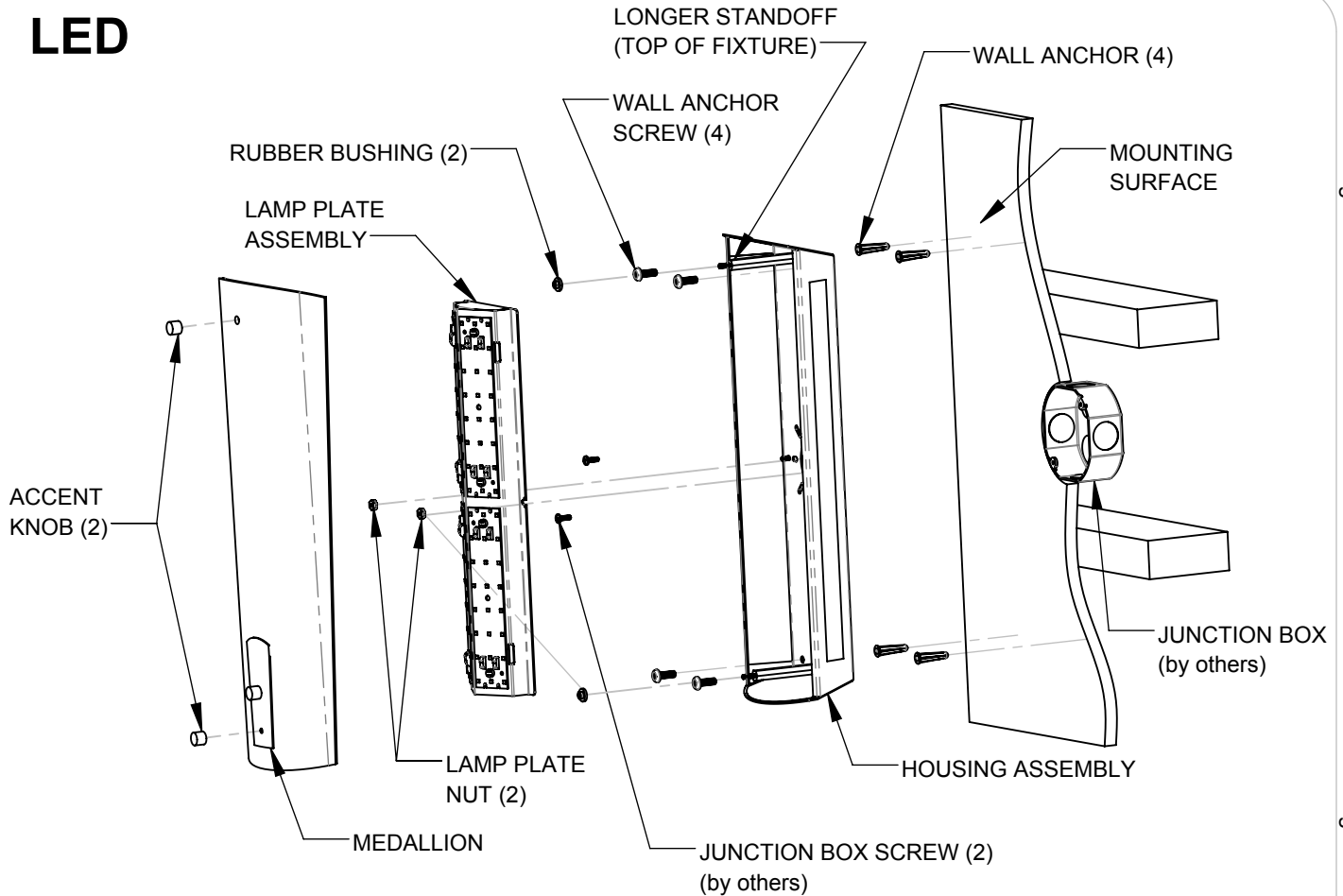
- Read all instructions carefully before installing and save for future use.
- Make sure all connections are in accordance with the National Electrical Code and local regulations.
- To avoid possible electric shock, be sure the power supply is turned off before servicing or installing the fixture.
- Service should be performed by qualified personnel.
- These instructions may not cover all details or variations. If additional information is needed, please contact Visa Lighting.

# INSTALLATION INSTRUCTIONS

Model: **CB6220**  
Fixture Family: **CAMBER**  
Document Description: Installation Instructions for  
CAMBER WALL SCNCE

**VISA LIGHTING**  
AN OLDENBURG GROUP COMPANY  
1717 West Civic Drive Milwaukee, WI 53209  
414-354-6600  
Design Modification Rights Reserved  
© Visa Lighting

## LED



1. Fixture to be installed with the (longer) 3-1/4" standoffs on the upper portion of the fixture.
2. Fasten fixture to junction box using junction box screws (by others), and make all appropriate wire connections according to code.
3. Install LED lamp assembly to housing with (2) lamp plate nuts.
4. Install rubber bushings to ends of standoffs.
5. Carefully line up lens holes with bushings and press lens into place so that a small portion of the standoff threads are exposed (note medallion on bottom of lens).
6. Screw accent knobs onto ends of standoff threads.

**!** When using electrical equipment, basic safety precautions should always be followed, including the following:

- Read all instructions carefully before installing and save for future use.
- Make sure all connections are in accordance with the National Electrical Code and local regulations.
- To avoid possible electric shock, be sure the power supply is turned off before servicing or installing the fixture.
- Service should be performed by qualified personnel.
- These instructions may not cover all details or variations. If additional information is needed, please contact Visa Lighting.

Drawing: 760285XX

Rev: A

Sheet: 2 of 3

Eng: CLD

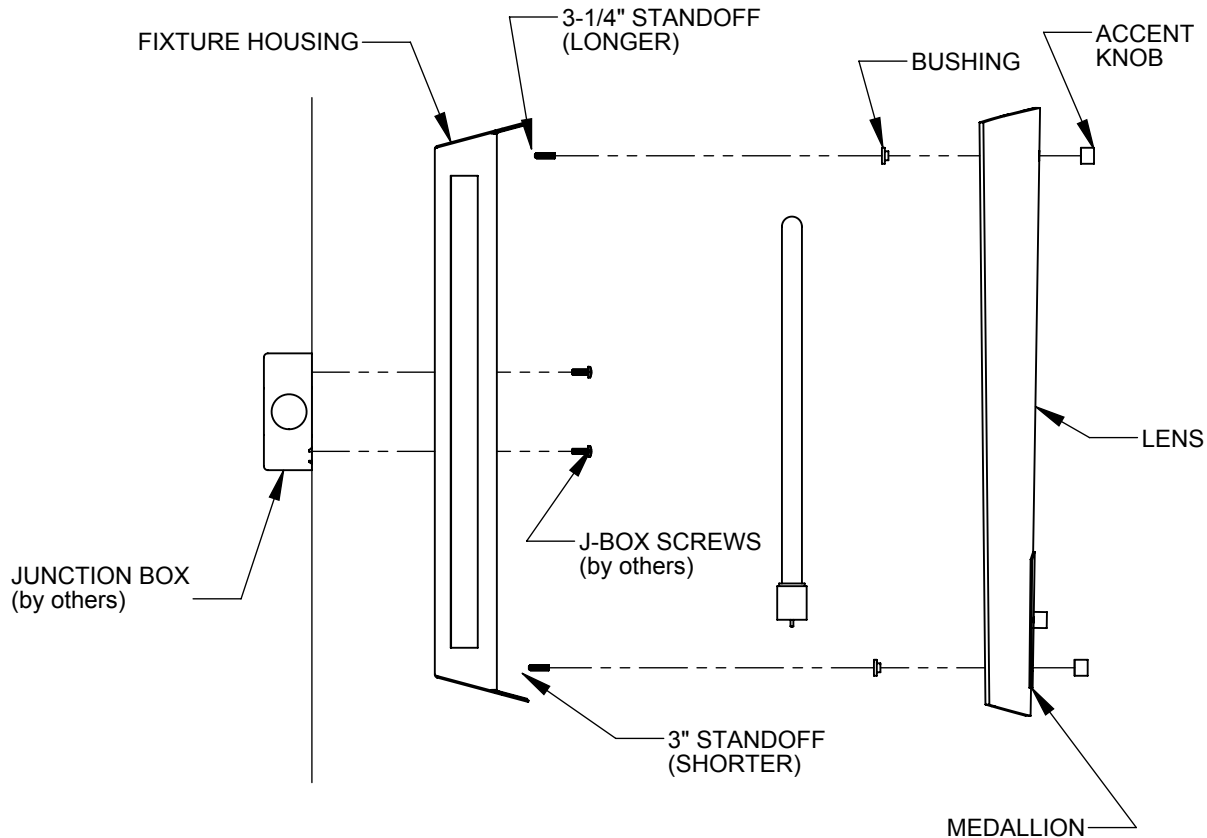
Date Drawn: 04/20/17

# INSTALLATION INSTRUCTIONS

Model: **CB6220**  
Fixture Family: **CAMBER**  
Document Description: Installation Instructions for  
CAMBER WALL SCNCE

1717 West Civic Drive Milwaukee, WI 53209  
414-354-6600  
Design Modification Rights Reserved  
© Visa Lighting

## FLR



1. Fixture to be installed with the (longer) 3-1/4" standoffs on the upper portion of the fixture.
2. Fasten fixture to junction box using junction box screws (by others), and make all appropriate wire connections according to code.
3. Install lamp.
4. Install rubber bushings to ends of standoffs.
5. Carefully line up lens holes with bushings and press lens into place so that a small portion of the standoff threads are exposed (note medallion on bottom of lens).
6. Screw accent knobs onto ends of standoff threads.

Drawing: 760285XX

Rev: A

Sheet: 3 of 3

Eng: CLD

Date Drawn: 04/20/17



When using electrical equipment, basic safety precautions should always be followed, including the following:

- Read all instructions carefully before installing and save for future use.
- Make sure all connections are in accordance with the National Electrical Code and local regulations.
- To avoid possible electric shock, be sure the power supply is turned off before servicing or installing the fixture.
- Service should be performed by qualified personnel.
- These instructions may not cover all details or variations. If additional information is needed, please contact Visa Lighting.