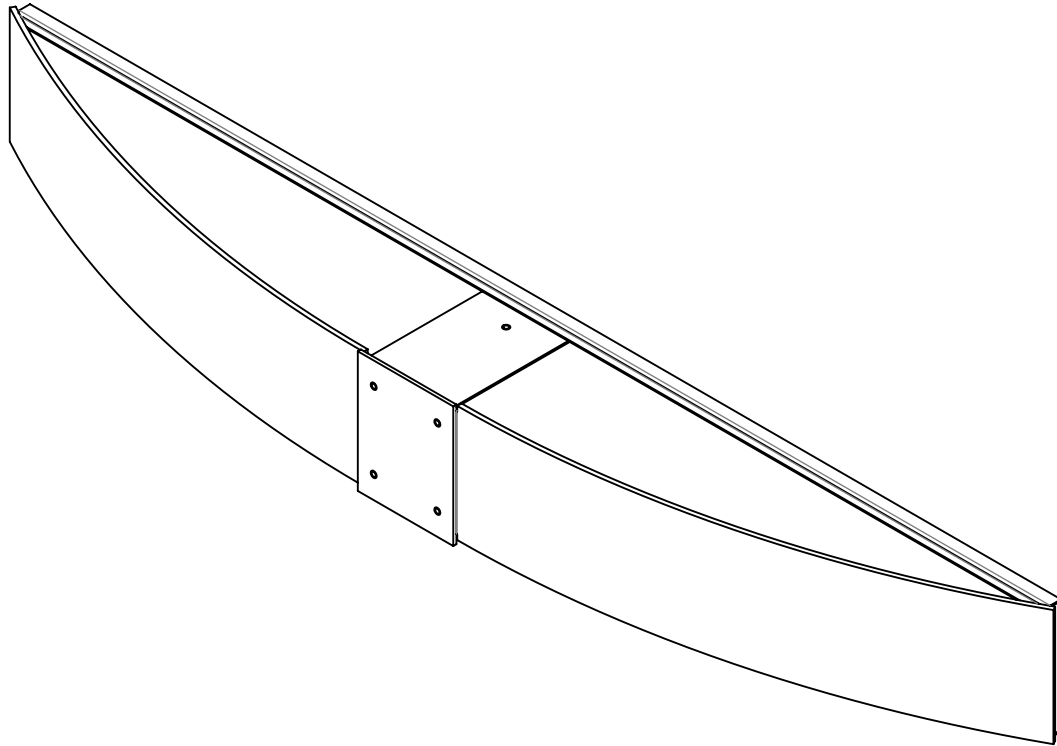


INSTALLATION INSTRUCTIONS

Model: **BOWE**
Fixture Family: **CB6456, CB6458**
Document Description: Installation Instructions for
BOWE Series Luminaires

 **VISA LIGHTING**
AN OLDENBURG GROUP COMPANY
1717 West Civic Drive Milwaukee, WI 53209
414-354-6600
Design Modification Rights Reserved
© Visa Lighting



BOWE WALL MOUNT CONFIGURATIONS INCLUDE:

**CB6456
CB6458**

Drawing: 760426XX

Rev: A

Sheet: 1 of 2

Eng: DAW

Date Drawn: 1/30/2003

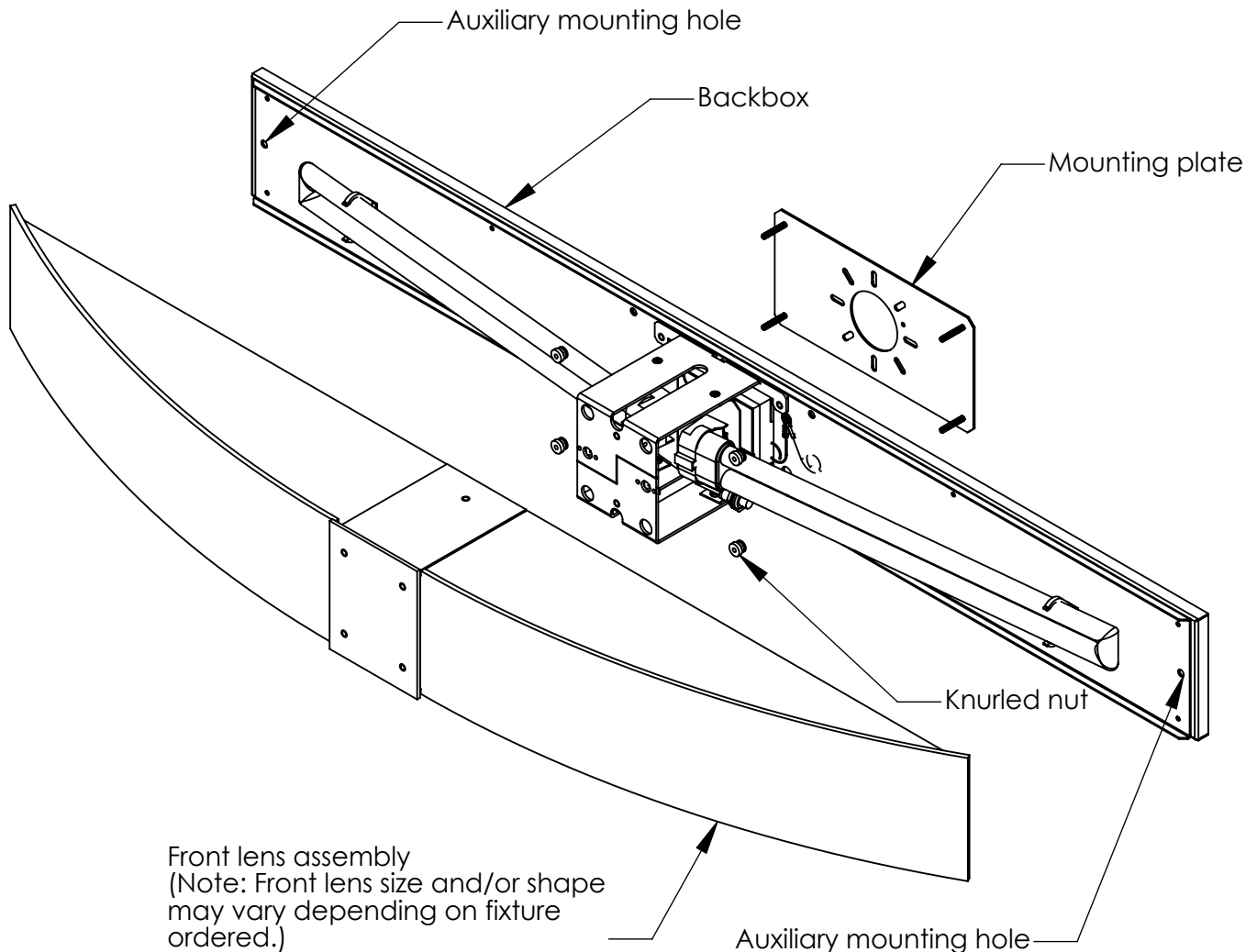
 When using electrical equipment, basic safety precautions should always be followed, including the following:

- Read all instructions carefully before installing and save for future use.
- Make sure all connections are in accordance with the National Electrical Code and local regulations.
- To avoid possible electric shock, be sure the power supply is turned off before servicing or installing the fixture.
- Service should be performed by qualified personnel.
- These instructions may not cover all details or variations. If additional information is needed, please contact Visa Lighting.

INSTALLATION INSTRUCTIONS

Model: **BOWE**
Fixture Family: **CB6456, CB6458**
Document Description: Installation Instructions for
BOWE Series Luminaires

VISA LIGHTING
AN OLDENBURG GROUP COMPANY
1717 West Civic Drive Milwaukee, WI 53209
414-354-6600
Design Modification Rights Reserved
© Visa Lighting



Instructions:

1. Fasten mounting plate to junction box with junction box screws (by others)
2. Make all electrical connections per local and national codes.
3. Securely fasten backbox to mounting plate with (4) knurled nuts provided.
4. The auxiliary mounting holes may additionally be utilized for stability.
5. Install lamps.
6. Snap ball studs on front lens assembly into ball stud clip on backbox.

When using electrical equipment, basic safety precautions should always be followed, including the following:

- Read all instructions carefully before installing and save for future use.
- Make sure all connections are in accordance with the National Electrical Code and local regulations.
- To avoid possible electric shock, be sure the power supply is turned off before servicing or installing the fixture.
- Service should be performed by qualified personnel.
- These instructions may not cover all details or variations. If additional information is needed, please contact Visa Lighting.

Drawing: 760426XX

Rev: A

Sheet: 2 of 2

Eng: DAW

Date Drawn: 1/30/2003