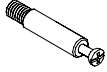


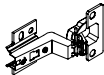
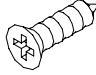
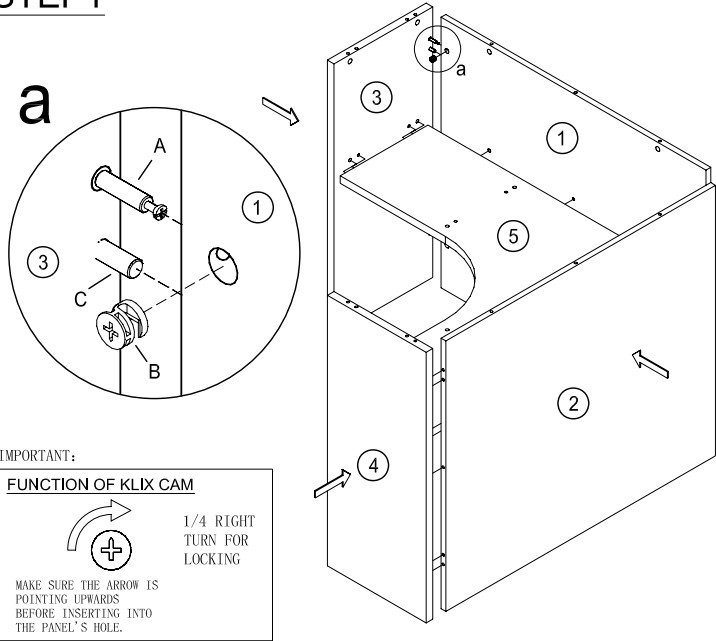


# Assembly Instructions MODEL NO.:N126

## CONER HUTCH

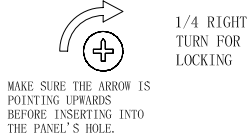
TUN010CL	TUN011KC			
<b>A</b> 	<b>B</b> 	<b>C</b> 	<b>D</b> 	<b>E</b> 
Cam Lock 33Pcs+5Pcs(spare)	Klix Cam 33Pcs+5Pcs(spare)	Dowel 26Pcs+2Pcs(spare)	Hinge 4Pcs	Screw #4*5/8" 24Pcs+5Pcs(spare)

### STEP1

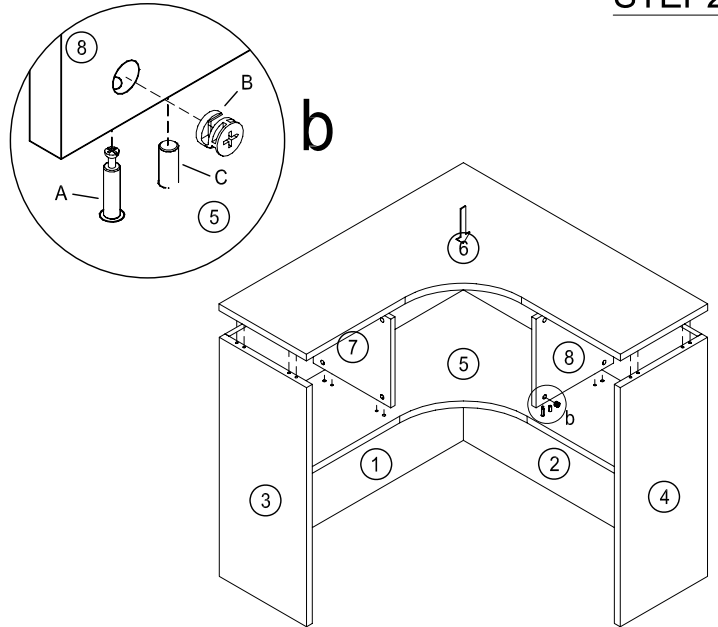


IMPORTANT:

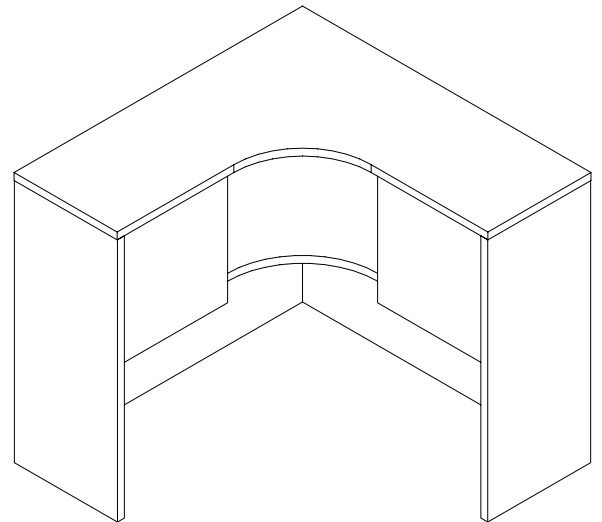
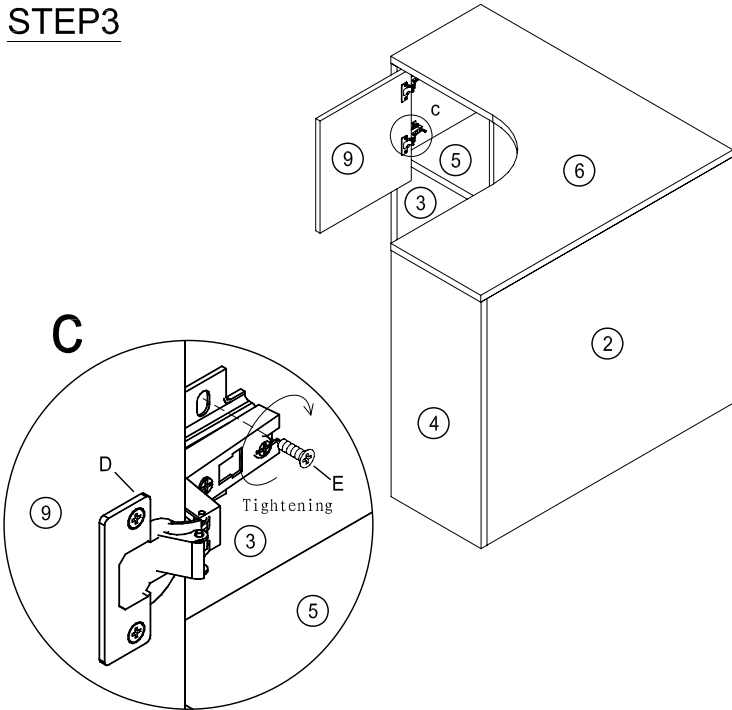
#### FUNCTION OF KLIX CAM



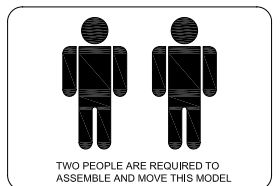
### STEP2



### STEP3



COMPLETED ASSEMBLY



#### IMPORTANT NOTE:

- Place all laminated parts on a clean and smooth surface such as a rug or carpet to avoid the parts from being scratched.
- Check to be sure that you have all parts and hardware.
- Remove all wrapping materials, including staples & packing straps before you start to assemble.
- Don't tighten all screws/bolts until all completely assembled.
- Keep all hardware parts out of reach of children.
- It is recommended to require 2 persons to complete the assembly.