

Assembly Instructions

Intellect® Book Box

January 2010

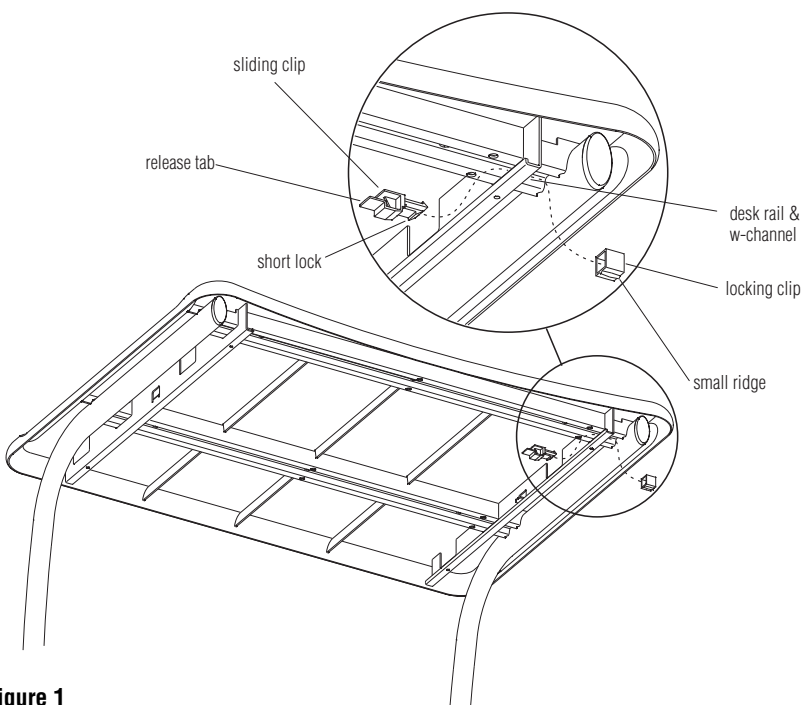


Figure 1

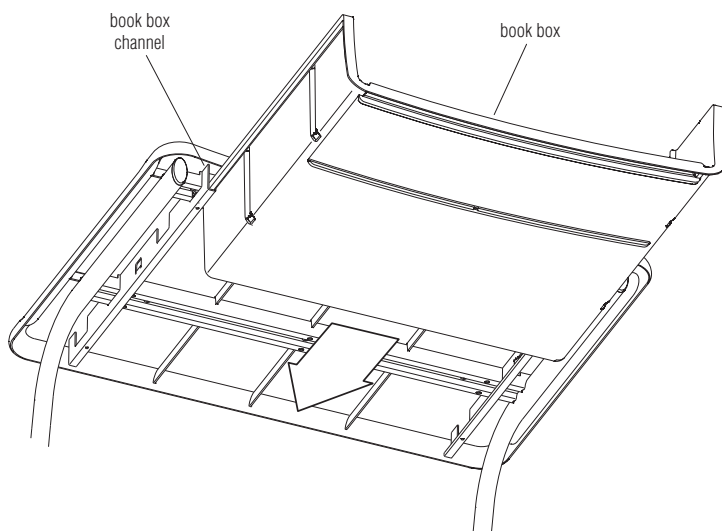


Figure 2

Note: The Intellect book box can be installed as either a sliding book box or a fixed, open-front book box.

Each book box requires two sets of clips for proper assembly (one set per side). Each set of clips includes a locking clip and a sliding clip. The locking clip is cube shaped and has a small ridge. The sliding clip has a long and a short lock where the locks enter into the locking clip.

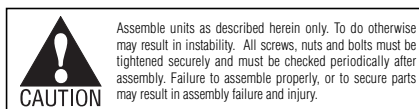
Important: Orient the small ridge of the locking clip and the short lock of the sliding clip toward the floor during assembly (Figure 1 & Figure 3).


Sliding Book Box Assembly

1. For sliding mode, clips should be installed into desk prior to inserting book box. As noted above, orient the sliding clip to the inside of the desk and insert the sliding clip into the desk rail at the w-channel location. Attach the locking clip to the sliding clip at the outside location of the desk rail and w-channel. Make sure the pieces snap together (Figure 1).
2. Repeat the steps above at the other side of the desk, making sure to orient the sliding clip to the inside of the desk and the locking clip to the outside of the desk rail and w-channel location.
3. Once the clips are assembled at both sides, insert the book box into the book box channels and slide it into place. It will click once if it is fully inserted. The desk is then ready to use (Figure 2).

Note: During insertion, flex sidewalls of box outward to assure that the outer rails of the box fully engage the steel tracks of the desk. Make sure to hold the box level as it is pushed into the desk tracks so the outer rails of the box ride under the guide tabs bent over each track.

4. To remove the book box, pull it out until it stops. Push up on the release tabs of the installed sliding clips and continue to slide the book box out (Figure 1).




CAUTION

Assemble units as described herein only. To do otherwise may result in instability. All screws, nuts and bolts must be tightened securely and must be checked periodically after assembly. Failure to assemble properly, or to secure parts may result in assembly failure and injury.

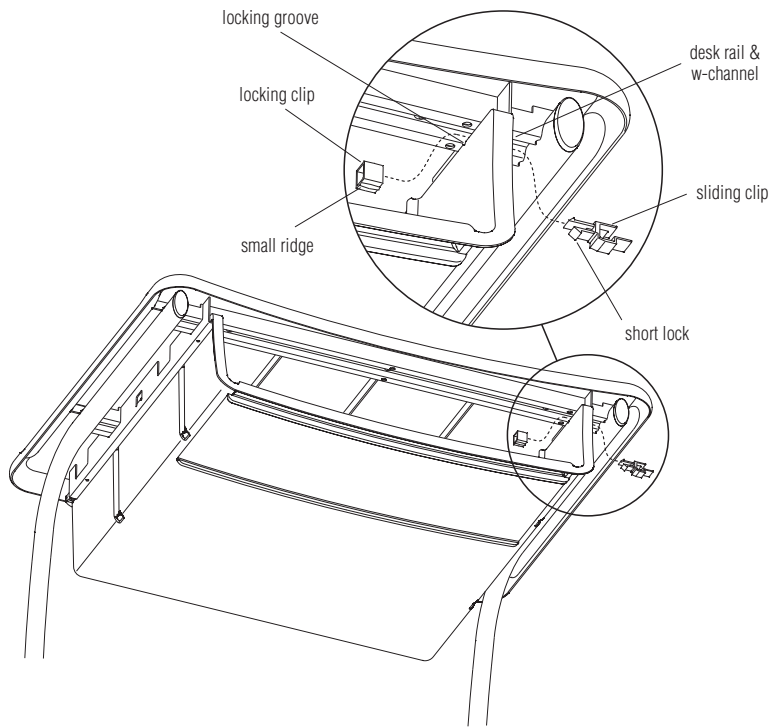


Figure 3

Fixed Book Box Assembly

1. First insert the book box into the desk. As illustrated, orient the sliding clip with the short lock down, and positioned at the outside desk rail and w-channel location (Figure 3).

Note: During insertion, flex sidewalls of box outward to assure that the outer rails of the box fully engage the steel tracks of the desk. Make sure to hold the box level as it is pushed into the desk tracks so the outer rails of the box ride under the guide tabs bent over each track.

2. From inside the book box, at the w-channel position, locate the locking groove of the book box. At that location, with the small ridge down, insert the locking clip into the desk rail and w-channel location. Snap the locking clip into the sliding clip to secure (Figure 3).
3. Repeat the steps above at the other side of the desk, making sure to orient the sliding clip to the outside of the desk at the desk rail and w-channel location and the locking clip to the inside.