

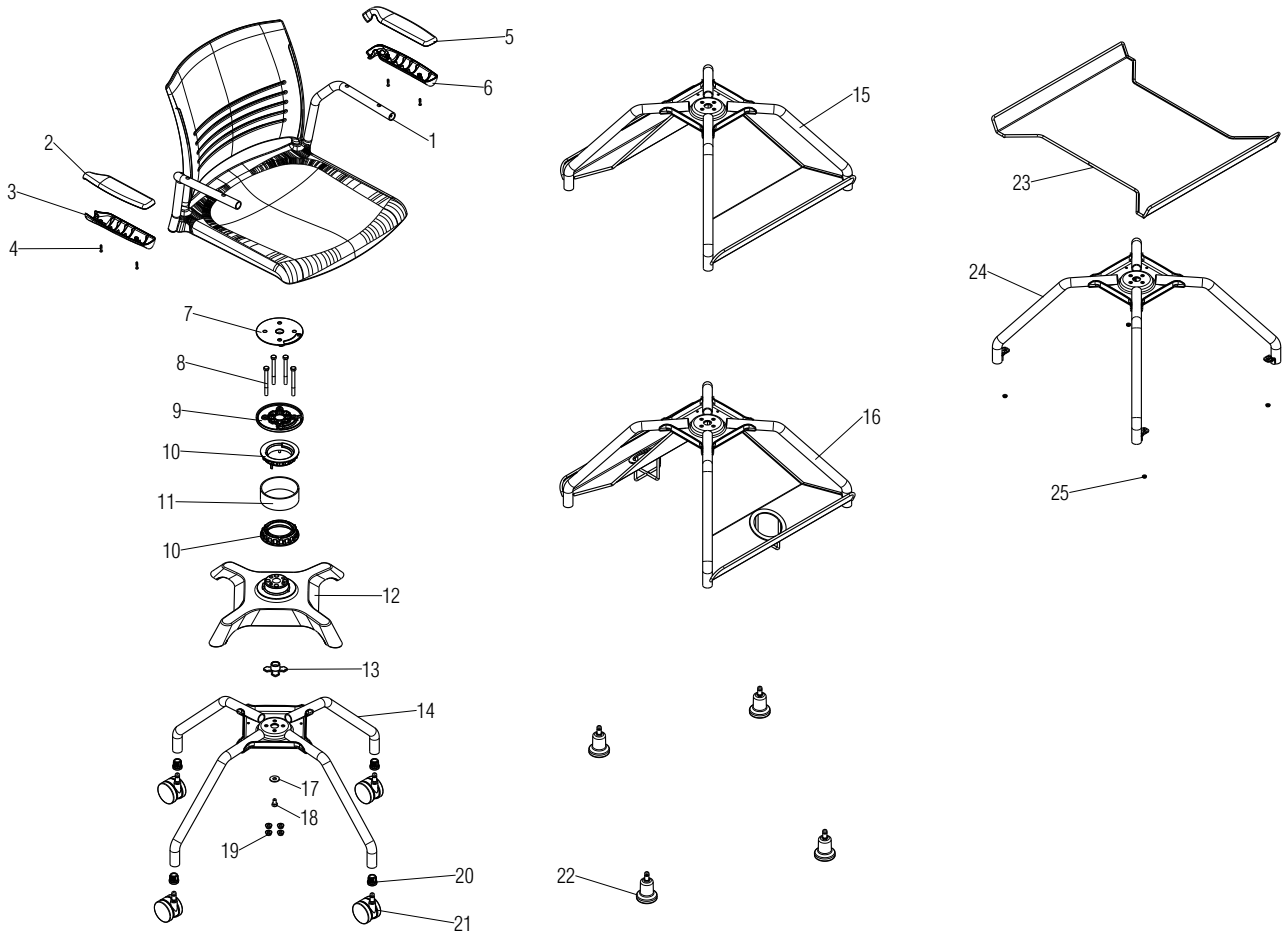
Parts Diagram

Learn2™ Classroom Furniture

Strive® Seating Armchair

With and Without Accessories

September 2016



.XX = Select Color

Item	Part Number	Item Description	Qty	Item	Part Number	Item Description	Qty
1	2SRS	Strive Pressure Fit Chair with Arms	1	14	47.1014.NR.XX	Weldment, Chair Frame	1
2	46.5384.RH.XX	Cap, Upper Closed End Arm, RH	1	15	47.1014.BK.XX	Weldment, Chair Frame with Bookracks	1
3	46.5383.RH.XX	Cap, Lower Closed End Arm, RH	1	16	47.1014.CP.XX	Weldment, Chair Frame with Cup Holder Bookracks	1
4	12.0696	Screw, #8 x 5/8 TX OV HD T-B BLK OX	4	17	12.2206	Washer, 5/16 x 1 O.D.	1
5	46.5384.LH.XX	Cap, Upper Closed End Arm, LH	1	18	12.2207	Bolt, 5/16-18 x 1/2 Hex Head w/ Patch	1
6	46.5383.LH.XX	Cap, Lower Closed End Arm, LH	1	19	12.1154	Nut, 5/16-18 Hex Flange Centerlock BLK ZC	4
7	47.1035	Bushing, Seat Swivel with Spacer and Bumpers	1	20	46.0386.BL	Bushing, 13 Gage Tube Caster	4
8	12.2205	Screw, 5/16-18 x 3 1/4 Hex Head GR2 Machine	4	21	09.0440.BL	Caster, 60mm Diameter Carpet	4
9	47.1002	Casting, Upper Bearing Mount	1		09.0441.BL	Caster, 60mm Diameter Hard Floor	4
10	47.1010	Bushing, Tablet Arm Rotation Around Seat	2	22	10.0150	Glide, Bell	4
11	42.0001.XX	Tube, Tablet Hub	1	23	47.1042.XX	Weldment, Flat Bookrack	1
12	47.1001.BL	Casting, 4-Leg Frame	1	24	47.1014.FB	Weldment, Flat Bookrack Chair Frame	1
13	47.1009	Bushing, Seat Swivel	1	25	12.0023.TM	Nut, #10-24 Hex w/ Lock Washer	4

