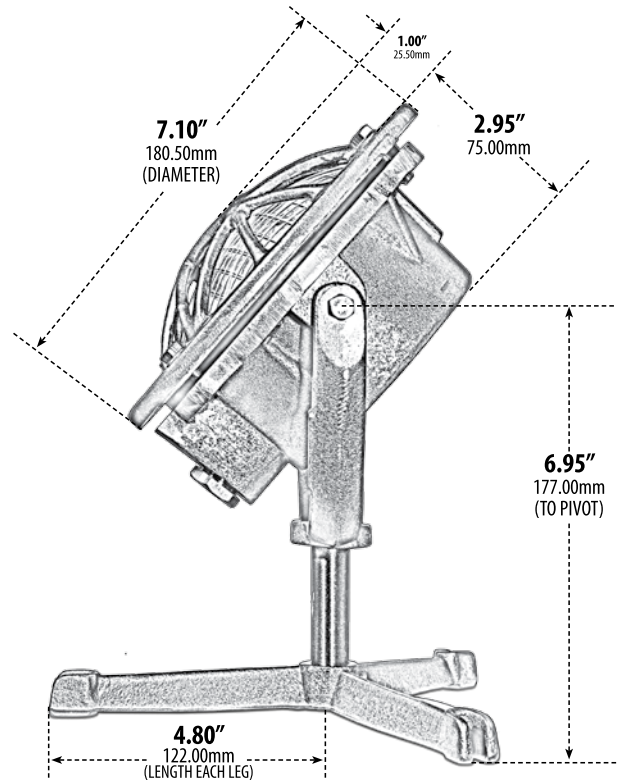


LV324-BS • LV325-BS

POND AND FOUNTAIN UNDERWATER LIGHT



DIAMETER = 9.6" (244.00mm) • CIRCUMFERENCE = 30.20" (766.50mm)

- ▶ **Material:** Brass
- ▶ **Lens:** Clear, Heat Resistant, Tempered Glass

MODEL NUMBER	LAMP TYPE	ILLUMINANT TYPE	WATTS (W)	VOLTS (V)	LAMP(S) INCLUDED?
LV324-BS	PAR36	HALOGEN	100	12	YES
LV324-LED14-BS	AR111-LED	7 LEDs	14	12	YES
LV324-LED4-BS	PAR36-LED	SMD LEDs	4	12	YES
LV324-LED6-BS	PAR36-LED	SMD LEDs	6	12	YES
LV324-LED9-BS	PAR36-LED	SMD LEDs	9	12	YES
LV325-BS	MR16	HALOGEN	3 x 20	12	YES
LV325-LED3-BS	MR16-LED	LED COB	3 x 3	12	YES
LV325-LED7-BS	MR16-LED	SMD LED	3 x 7	12	YES

Also available with color lamp (lamp sold separately)

- ▶ **Available Finish:** Brass
- ▶ **Pre-Wired with UL Listed 21' 16/3 Underwater Cable**
- ▶ **Adjustable Bracket**
- ▶ **Transformer:** LVT300-SUB/SS Transformer (required) Sold Separately
- ▶ **ETL Approved**

Overall Dimensions:
10.5"H x 7.50"W x 8.75"D

Maximum Height: 10.75"
Minimum Height: 9.75"
Width: 7.50"
Head Depth: 4.50"
Stand Depth: 8.75"

Weight: 10 lbs
Approximate Wire Length: 252"
Box Dimensions:
(Box) 5.50"H x 8.00"W x 8.00"D
(Stand) 1.75"H x 10.00"W x 10.00"D

DABMAR
LIGHTING

DABMAR LIGHTING INCORPORATED

2140 Eastman Ave . Oxnard, CA 93030 . 805.604.9090 . f: 805.604.9050 . www.dabmar.com