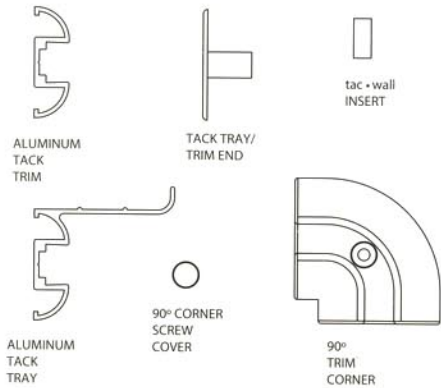


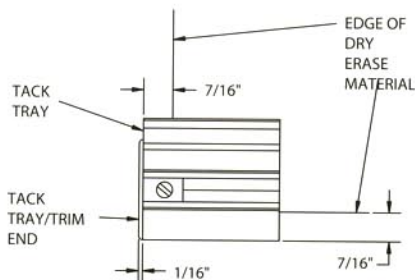
1. The tray and trim should be installed after the **walltalkers**[®] dry erase material. This tray and trim system is designed to overlap the edges of installed dry erase wallcovering as well as be used as a presentation rail.



2. Examine goods to assure quantity and quality are as ordered. Lay out the work to be completed, including all parts, along the base of the wall. The parts will include those supplied by **walltalkers** and those the installer must supply.

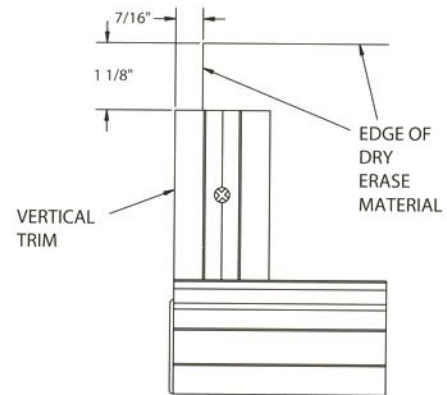
Walltalkers supplies the extruded aluminum tray, extruded aluminum trim, **tac-wall**[®] insert, tack tray/trim end(s), 90° trim corner(s), and screw head cover(s) in the quantities ordered. The installer must supply the hardware, **#8 X 1" pan head sheet metal or wood screws**, for the tray, trim, & trim corners. **#6 X 3/8" flat head sheet metal screws** should be used for the tack tray/trim ends. Masonry anchors and manufacturer specified hardware should be used for concrete and block walls.

3. The tray is typically installed across the entire length of the dry erase surface. Measure the length of the dry erase surface. Use a miter saw with a fine tooth carbide tip blade to cut the aluminum to length. When cut, the tray should be long enough to extend beyond the dry erase material approximately 7/16" on each side; total 7/8". Two tray/trim ends will add an additional 1/8" to the overall tray length. Locate and lightly mark each stud location along the base of the dry erase material, typically 16" on center. Transfer the marks on the wall to the center mark in the channel of the tray. Drill a pilot hole at each of the marks. Using a level and the measurements given above, screw the tray to the wall.



4. Install a tack tray/trim end on one end, drill a pilot hole and screw in place with a flat head screw. The use of a counter-sink bit may be required to seat the flat head screw. Insert the **tac-wall** material, starting at the installed tack tray end. Using the opposite edge of the tray as the straight edge, cut the material to length with a utility knife. Pull a few inches of the tackable material back out and follow the same steps to attach the second end. When screwed in place, push the tackable material back down into place. A bead of construction adhesive may be required to secure the **tac-wall** to the aluminum.

5. Measure from the top of the tray to the top of the dry erase wallcovering. The vertical trim pieces should be cut to terminate 1-1/8" from the top of the dry erase wallcovering. Drill a pilot hole every 16" along the center mark in the channel of the trim. Rest the trim vertically on the top of the tray in the plumb position. Transfer the hole positions to the wall with a pencil. Remove the trim, drill a hole at each mark, and insert plastic wall anchors. Follow the anchor manufacturer's directions. Reposition the trim and screw the trim to the wall. Repeat this step for the second vertical piece of trim.

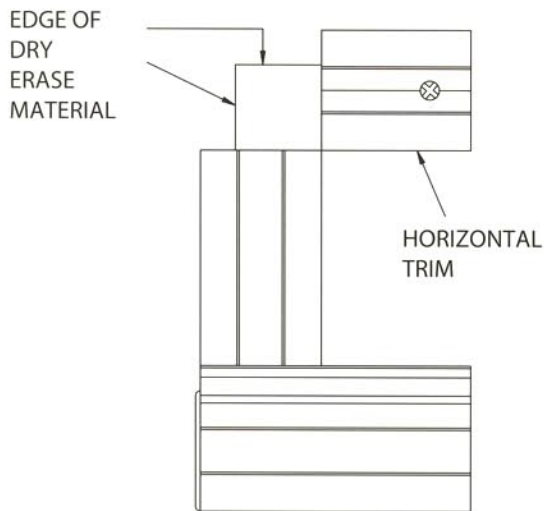


presentation tack tray & trim installation instructions www.walltalkers.com

walltalkers

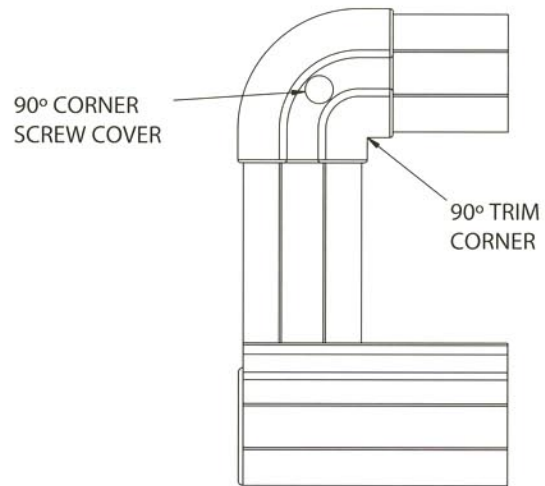
a division of RJF International Corporation

6. Measure the distance between the top of the two vertical pieces of trim from inside edge to inside edge. Cut the trim to the measured length. Locate and lightly mark each stud location along the top edge of the dry erase material, typically 16" on center. Transfer the marks on the wall to the center mark in the channel of the trim. Drill a pilot hole at each of the marks. With a level, position the trim horizontally on the top inside edge of the vertical pieces. Screw the trim piece to the wall.



7. Insert the **tac • wall** material, beginning flush at one end of a piece of trim. Use the opposite edge of the trim as the straight edge, and cut the material to length with a utility knife. Repeat step #7 for remaining pieces of trim. A bead of construction adhesive may be required to secure the **tac • wall** to the aluminum.

8. Place a 90° trim corner over one of the open corner locations. Align and screw into place. Once the cap is secured in place, place a 90° screw cover in the hole. The cover is held in by friction.



presentation tack tray & trim installation instructions www.walltalkers.com

walltalkers

a division of RJJ International Corporation

3875 Embassy Parkway
Fairlawn, OH 44333

PH: 800.820.9255 • Fax: 330.668.7703

® and ™ are trademarks of RJJ International Corporation

7075TKT1111 11/02