

UNIVERSAL POWER MODULE
UPM

PM3 ROUND CAMLOCK™

Recessed junction box installation (H.I.D.)



Warning



High Voltage



Hot Surface

NEEDED
FOR
INSTALLATION:

1/8", 5/64" & 9/64" allen wrench

Wire connectors

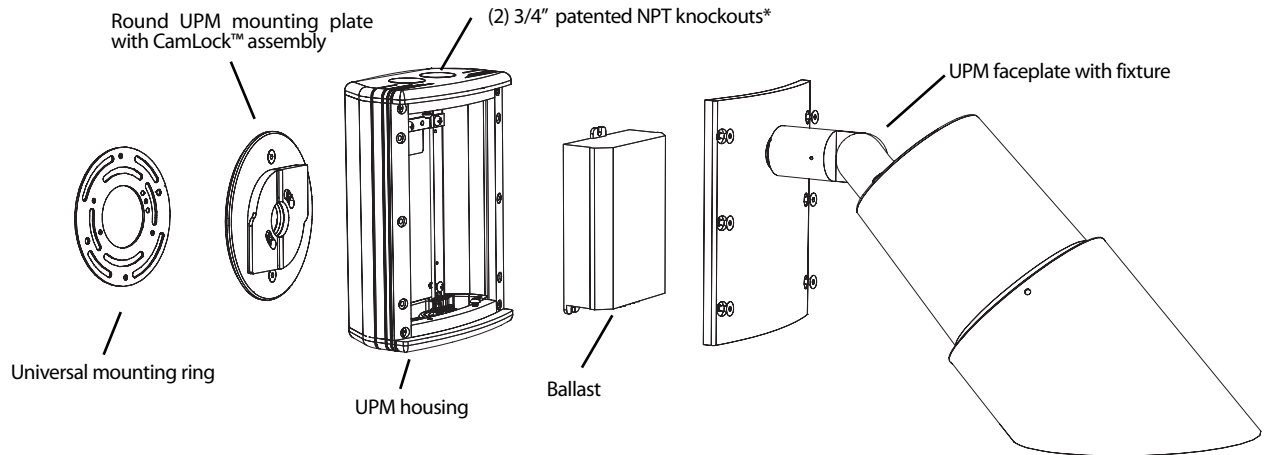
Phillips screwdriver

Level

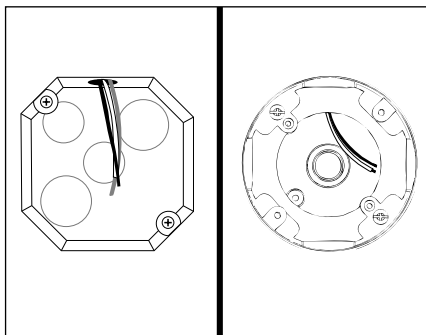
By Others

IMPORTANT SAFETY INFORMATION - READ, FOLLOW, AND SAVE ALL SAFETY AND INSTALLATION INSTRUCTIONS

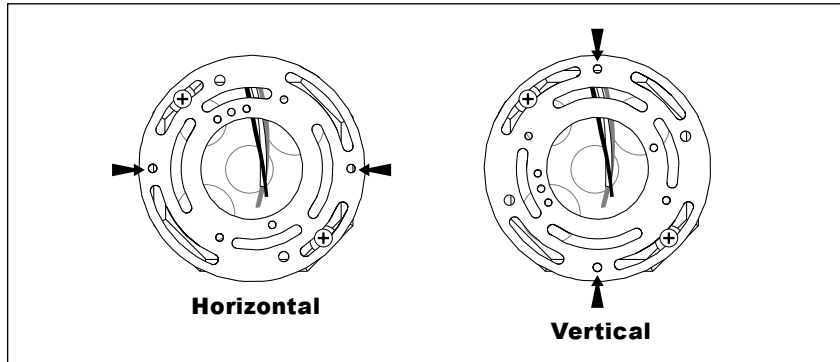
- Product must be installed by a qualified person in a manner consistent with its intended use and in compliance with the National Electrical Code, Canadian Electrical Code, and all Local and Provincial Codes.
- Follow product label information and instructions.
- Qualified Personnel must perform all servicing or relamping of this product.
- Before wiring to power supply and during servicing or relamping, turn off power at fuse or circuit breaker before service.
- The use of accessory equipment not recommended by the manufacturer or installed contrary to instructions may cause an unsafe condition. The use of damaged components may cause an unsafe condition and void product warranty.
- Do not block light emanating from product in whole or part, as this may cause an unsafe condition.
- Never operate the fixture with missing or damaged lens. Lens must be cleaned on regular basis.
- Energized lamp gets hot very quickly. Allow it to cool before service.
- Entire fixture may become extremely hot. Do not touch hot lens or fixture body. Do not touch the lamp at any time. Use a clean, dry, soft cloth to handle the lamp. Oil from skin may damage the lamp and cause it to rupture.
- Replace lamp only with correct wattage and type of lamp marked on fixture label.
- All gaskets, o-rings and sealing surfaces must be kept clean during installation and service; failure to do this may cause an unsafe condition and void product warranty.



* UPM is covered in whole or in part by US patent #6,940,012



1. Install standard 4" octagonal/round recessed junction box in the final fixture location according to designed lighting plan.
2. Pull branch circuit wiring necessary for installation (By Others.)



3. Install universal mounting ring.

⚠ IMPORTANT!! Orientation of universal mounting ring will affect orientation of UPM! Take note of mounting plate holes (indicated with arrows) on the universal mounting ring to mount UPM in correct orientation.

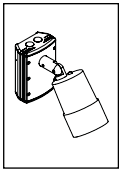
B-K LIGHTING

40429 Brickyard Drive • Madera, CA 93636 • USA
559.438.5800 • FAX 559.438.5900
www.bklighting.com • info@bklighting.com

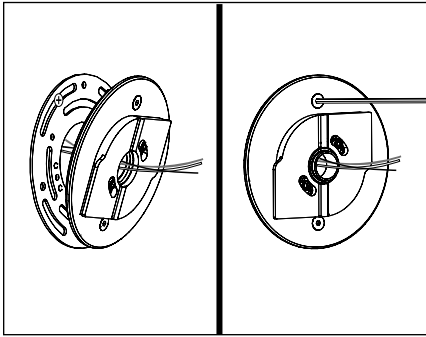
REVISION DATE
7-27-09

REFERENCE NUMBER
INS-1420

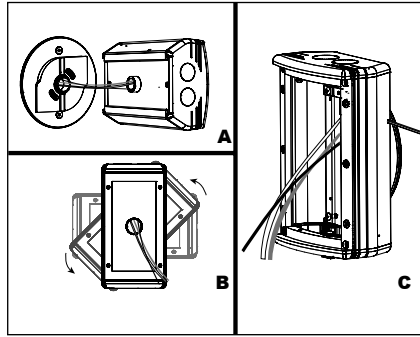
THIS DOCUMENT CONTAINS PROPRIETARY INFORMATION OF B-K LIGHTING, INC. AND ITS RECEIPT OR POSSESSION DOES NOT CONVEY ANY RIGHTS TO REPRODUCE, DISCLOSE ITS CONTENTS, OR TO MANUFACTURE, USE OR SELL ANYTHING IT MAY DESCRIBE. REPRODUCTION, DISCLOSURE OR USE WITHOUT SPECIFIC WRITTEN AUTHORIZATION OF B-K LIGHTING, INC. IS STRICTLY FORBIDDEN.



Recessed junction box installation (H.I.D.)

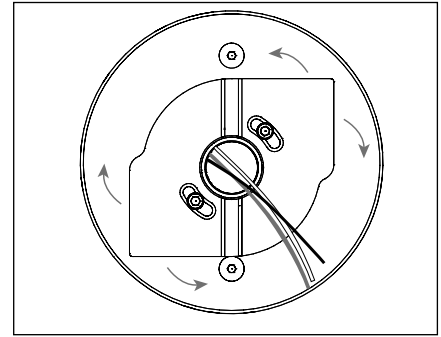


4. Feed branch circuit wiring through mounting plate with CamLock™ assembly. Attach mounting plate with supplied (2) #10-24 stainless steel hex drive fasteners to universal mounting ring using 1/8" allen wrench.

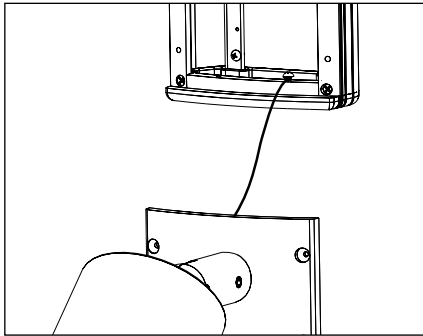


5. Feed branch circuit wiring into UPM housing. Install housing on CamLock™ at 90° to finished orientation as shown. (Figure A)

6. Rotate housing 90° counter-clockwise (Figure B). Tighten set screw with 5/64" allen wrench on outside of UPM housing to lock in place. (Figure C)

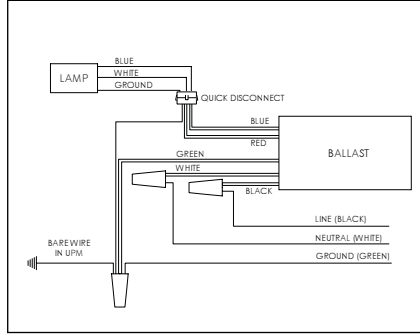


7. If UPM housing is not level, remove UPM housing; loosen but **DO NOT REMOVE** (2) #8-32 screws with 9/64" allen wrench on CamLock™ assembly. Adjust CamLock™ assembly up to 30° as needed to level. Tighten the screws and reattach UPM housing.

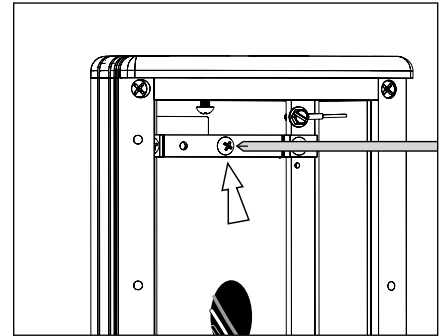


8. Attach tether wire under screw head at the base of the UPM housing. Slowly lower the faceplate until tether is taut.

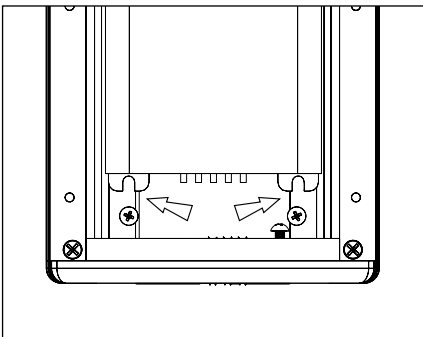
⚠ NOTE: Faceplate tether supplied with UPM is designed as an installation aid and NOT a safety cable. Do not add weight to, or drop faceplate.



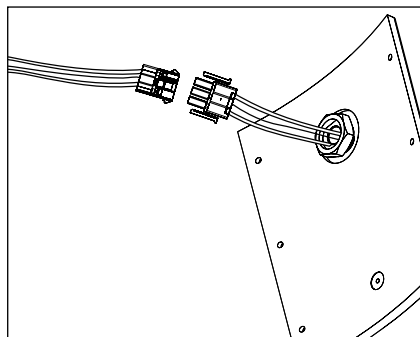
9. Use wire connectors (By Others) to connect ballast primary leads to branch circuit wires. Connect incoming ground, lamp ground and ballast ground to ground wire provided in UPM housing. **See wiring diagram.**



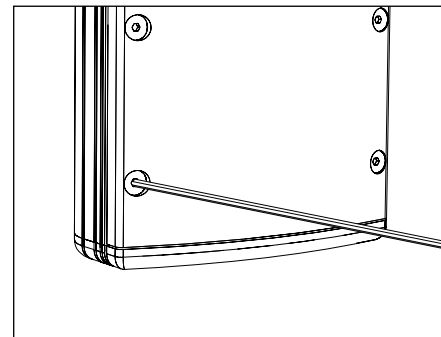
10. Remove the #8-32 screw in UPM housing



11. Slide ballast feet under two screws in UPM housing and tighten screws



13. Connect secondary leads from ballast to lamp leads using pre-wired factory quick disconnect.



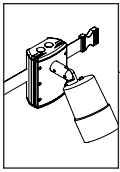
12. Reinstall #8-32 screw on other side of ballast and tighten to secure ballast to UPM housing.

14. Make sure UPM housing gasket is free of any dirt or debris. Attach the faceplate by tightening the (6) #10-24 captive screws evenly to 30 in/lbs using a 1/8" allen wrench.

**IMPORTANT SAFETY INFORMATION LISTED ON REVERSE
READ, FOLLOW, AND SAVE ALL SAFETY AND INSTALLATION INSTRUCTIONS**



ETL LISTED
CONFORMS TO ANSI/UL
STANDARD 1598
CERTIFIED TO CAN/CSA
STANDARD C22.2 NO. 250



UNIVERSAL POWER MODULE
UPM

Tree Strap™ Installation (H.I.D.)

PM3 TREE STRAP™



Warning



High Voltage



Hot Surface

NEEDED
FOR
INSTALLATION:

1/8" allen wrench

Wire connectors

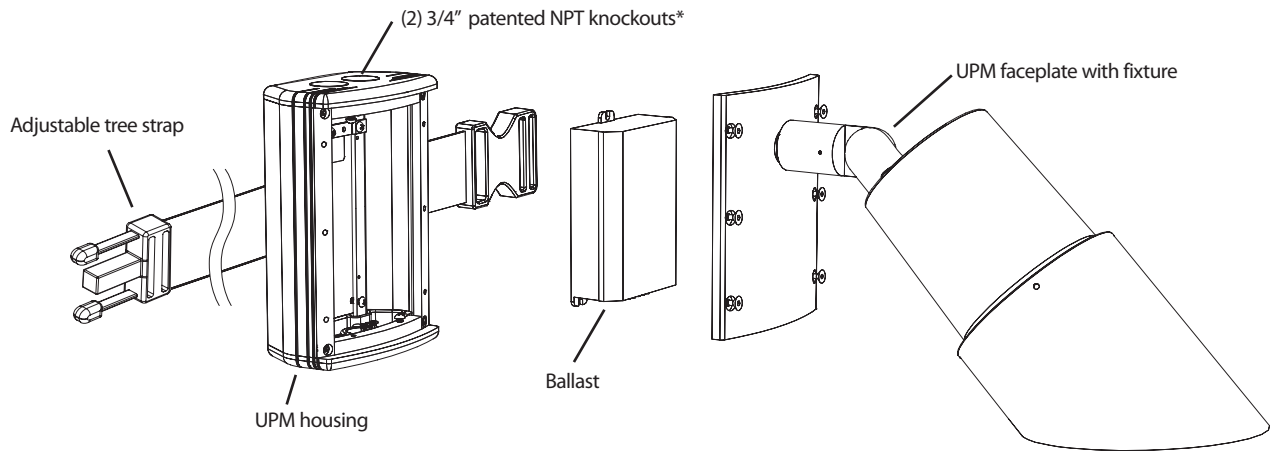
Hammer

Phillips screwdriver

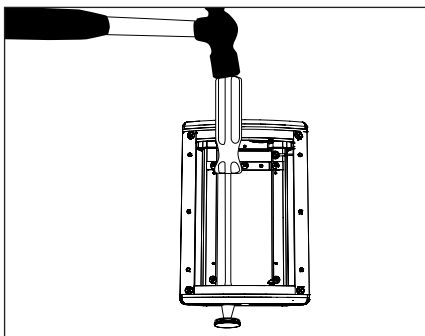
By Others

IMPORTANT SAFETY INFORMATION - READ, FOLLOW, AND SAVE ALL SAFETY AND INSTALLATION INSTRUCTIONS

- Product must be installed by a qualified person in a manner consistent with its intended use and in compliance with the National Electrical Code, Canadian Electrical Code, and all Local and Provincial Codes.
- Follow product label information and instructions.
- Qualified Personnel must perform all servicing or relamping of this product.
- Before wiring to power supply and during servicing or relamping, turn off power at fuse or circuit breaker before service.
- The use of accessory equipment not recommended by the manufacturer or installed contrary to instructions may cause an unsafe condition. The use of damaged components may cause an unsafe condition and void product warranty.
- Do not block light emanating from product in whole or part, as this may cause an unsafe condition.
- Never operate the fixture with missing or damaged lens. Lens must be cleaned on regular basis.
- Energized lamp gets hot very quickly. Allow it to cool before service.
- Entire fixture may become extremely hot. Do not touch hot lens or fixture body. Do not touch the lamp at any time. Use a clean, dry, soft cloth to handle the lamp. Oil from skin may damage the lamp and cause it to rupture.
- Replace lamp only with correct wattage and type of lamp marked on fixture label.
- All gaskets, o-rings and sealing surfaces must be kept clean during installation and service; failure to do this may cause an unsafe condition and void product warranty.

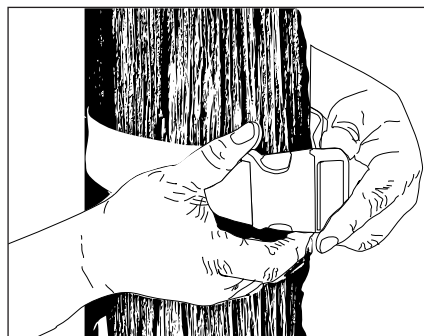


* UPM is covered in whole or in part by US patent #6,940,012

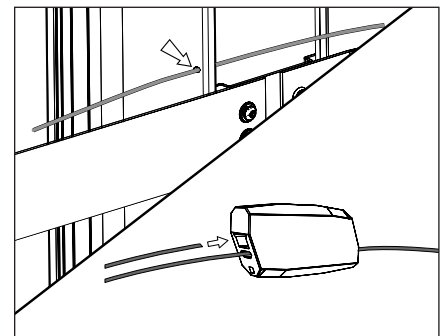


1. Remove Patented Knockout(s) as necessary from the inside of the UPM housing. Leave remaining unused knockouts in place to maintain seal.

NOTE: Patented design featuring a silicone 'O' Ring allowing knockout to be tapped back into place to renew seal integrity.



2. Use adjustable strap provided to attach UPM housing to tree. Tighten by pulling on the adjustable strap until secure.



3. Thread safety cable through hole on the back of the UPM housing. Feed safety cable through opposing ends of the connector. Pull on wires to assure the connection is secure. Leave enough slack in safety cable for tree growth. Adjustments can be made by pressing release spring with a pin or 3/64" allen tool.

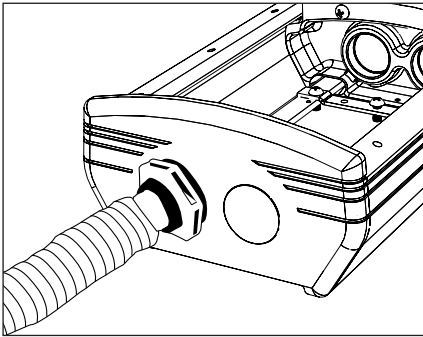
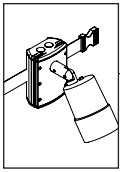
B-K LIGHTING

40429 Brickyard Drive • Madera, CA 93636 • USA
559.438.5800 • FAX 559.438.5900
www.bklighting.com • info@bklighting.com

REVISION DATE
7-27-09

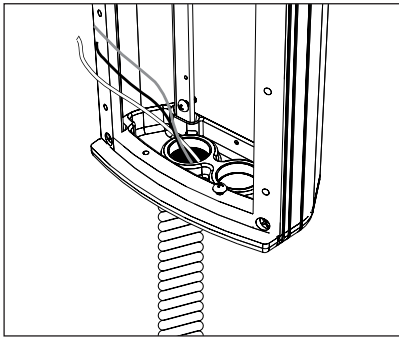
REFERENCE NUMBER
INS-1421

THIS DOCUMENT CONTAINS PROPRIETARY INFORMATION OF B-K LIGHTING, INC. AND ITS RECEIPT OR POSSESSION DOES NOT CONVEY ANY RIGHTS TO REPRODUCE, DISCLOSE ITS CONTENTS, OR TO MANUFACTURE, USE OR SELL ANYTHING IT MAY DESCRIBE. REPRODUCTION, DISCLOSURE OR USE WITHOUT SPECIFIC WRITTEN AUTHORIZATION OF B-K LIGHTING, INC. IS STRICTLY FORBIDDEN.

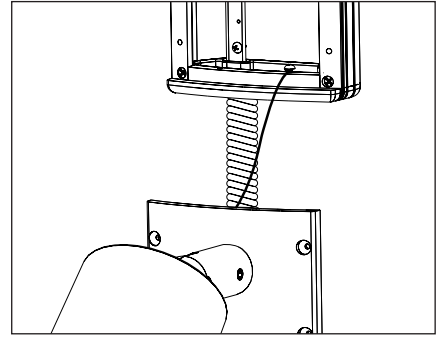


4. Connect 3/4" conduit connector through female threaded conduit entry.

⚠ NOTE: Surface conduit is a common entrance for water if not properly sealed. Seal connector threads and conduit pipe with a suitable sealant (Teflon tape, adhesive, etc). Sealing the conduit after knockouts are removed is required to maintain warranty.

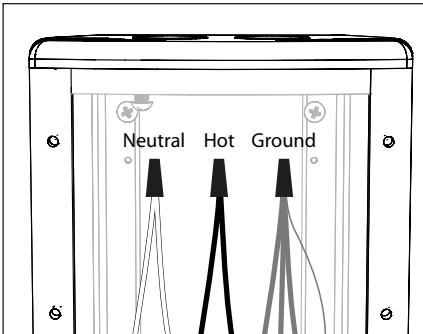


5. Pull branch circuit wiring necessary for installation (By Others.)

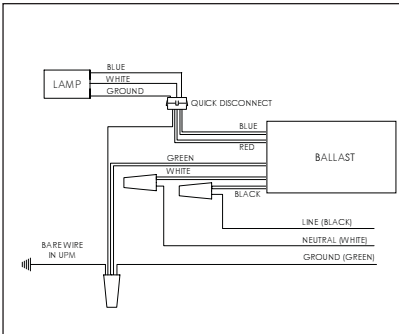


6. Attach tether wire under screw head at the base of the UPM housing and tighten. Slowly lower the faceplate until tether is taut.

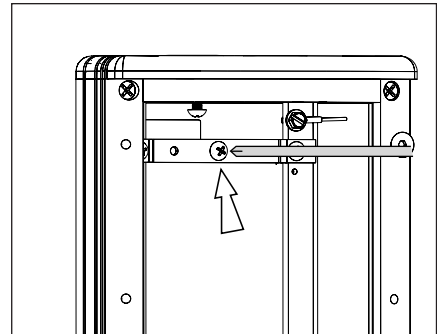
⚠ NOTE: Faceplate tether supplied with UPM is designed as an installation aid and NOT a safety cable. Do not add weight to, or drop faceplate.



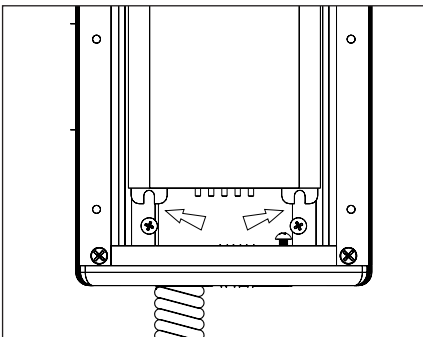
7. Use wire connectors (By Others) to connect ballast primary leads to branch circuit wires. Connect incoming ground, lamp ground and ballast ground to ground wire provided in UPM housing. **See wiring diagram.**



Wiring Diagram

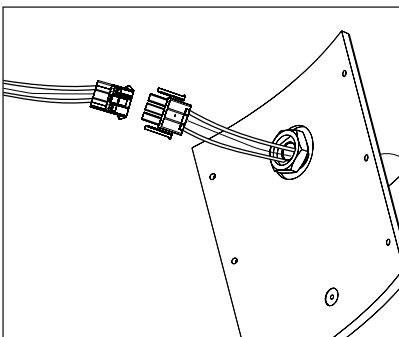


8. Remove the #8-32 screw in UPM housing

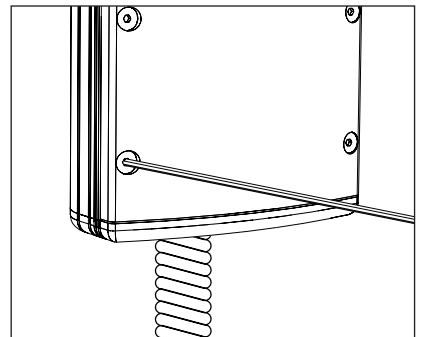


9. Slide ballast feet under two screws in UPM housing and tighten screws.

10. Reinstall #8-32 screw on other side of ballast and tighten to secure ballast in UPM housing.



11. Connect secondary leads from ballast to lamp leads using pre-wired factory quick disconnect..

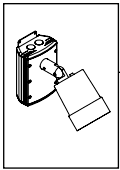


12. Make sure UPM housing gasket is free of any dirt or debris. Attach the faceplate by tightening the (6) #10-24 captive screws evenly to 30 in/lbs using a 1/8" allen wrench.

**IMPORTANT SAFETY INFORMATION LISTED ON REVERSE
READ, FOLLOW, AND SAVE ALL SAFETY AND INSTALLATION INSTRUCTIONS**



ETL LISTED
CONFORMS TO ANSI/UL
STANDARD 1598
CERTIFIED TO CAN/CSA
STANDARD C22.2 NO. 250



UNIVERSAL POWER MODULE
UPM

Surface Mount installation (H.I.D.)

PM3 SURFACE MOUNT



Warning



High Voltage



Hot Surface

NEEDED FOR INSTALLATION:

1/8" allen wrench

1/4" drill bit and drill

Wire connectors

Mounting hardware

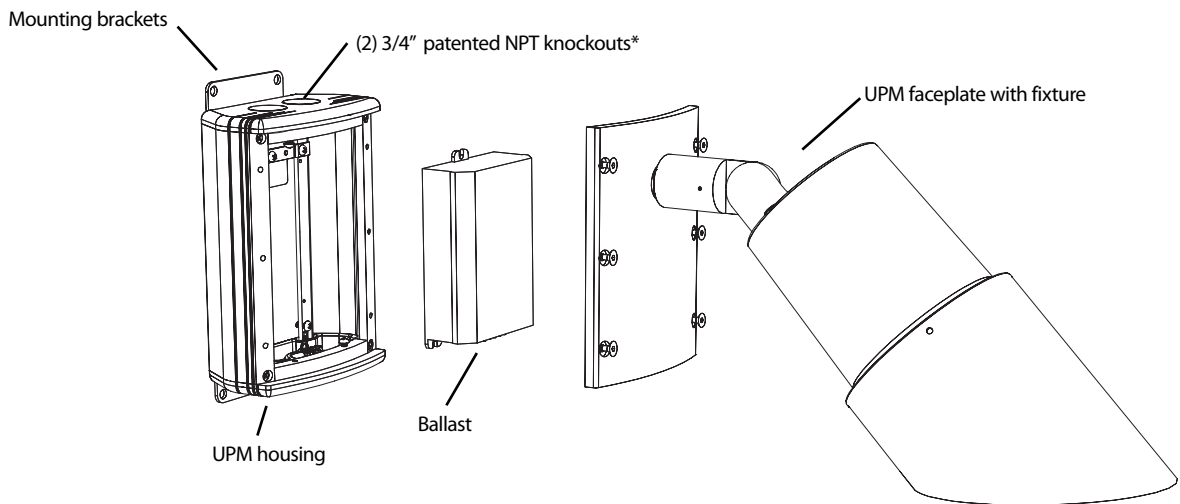
Hammer

Phillips screwdriver

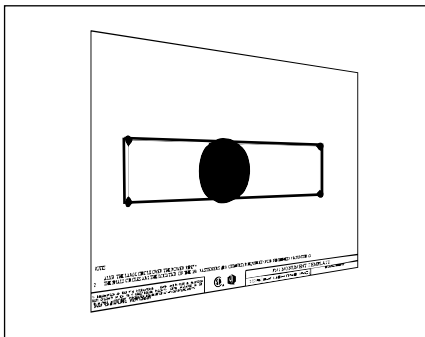
By others

IMPORTANT SAFETY INFORMATION - READ, FOLLOW, AND SAVE ALL SAFETY AND INSTALLATION INSTRUCTIONS

- Product must be installed by a qualified person in a manner consistent with its intended use and in compliance with the National Electrical Code, Canadian Electrical Code, and all Local and Provincial Codes.
- The use of accessory equipment not recommended by the manufacturer or installed contrary to instructions may cause an unsafe condition. The use of damaged components may cause an unsafe condition and void product warranty.
- Entire fixture may become extremely hot. Do not touch hot lens or fixture body. Do not touch the lamp at any time. Use a clean, dry, soft cloth to handle the lamp. Oil from skin may damage the lamp and cause it to rupture.
- Follow product label information and instructions.
- Do not block light emanating from product in whole or part, as this may cause an unsafe condition.
- Replace lamp only with correct wattage and type of lamp marked on fixture label.
- Qualified Personnel must perform all servicing or relamping of this product.
- Never operate the fixture with missing or damaged lens. Lens must be cleaned on regular basis.
- All gaskets, o-rings and sealing surfaces must be kept clean during installation and service; failure to do this may cause an unsafe condition and void product warranty.
- Before wiring to power supply and during servicing or relamping, turn off power at fuse or circuit breaker before service.
- Energized lamp gets hot very quickly. Allow it to cool before service.

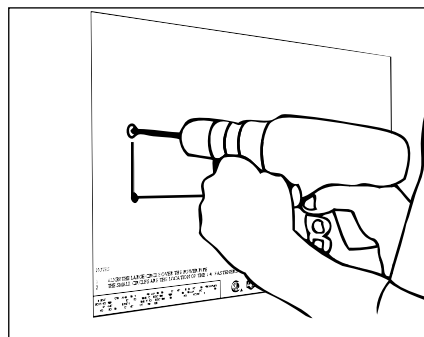


* UPM is covered in whole or in part by US patent #6,940,012

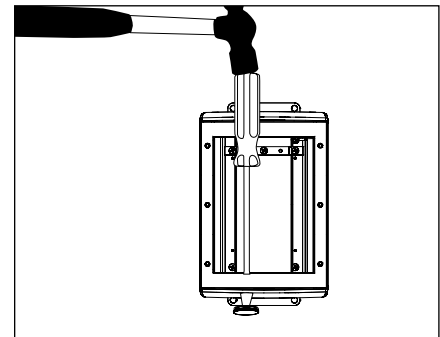


- Place provided template in final mounting position according to designed lighting plan.

NOTE: Additional templates are available at <http://www.bklighting.com/templates>



- Drill holes into surface for 1/4" fasteners (By Others) on locations illustrated on template.



- Remove Patented Knockout(s) as necessary from the inside of the UPM housing. Leave remaining unused knockouts in place to maintain seal.

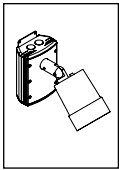
NOTE: Patented design featuring a silicone 'O' Ring allowing knockout to be tapped back into place to renew seal integrity.

B-K LIGHTING

40429 Brickyard Drive • Madera, CA 93636 • USA
559.438.5800 • FAX 559.438.5900
www.bklighting.com • info@bklighting.com

REVISION DATE
7-27-09

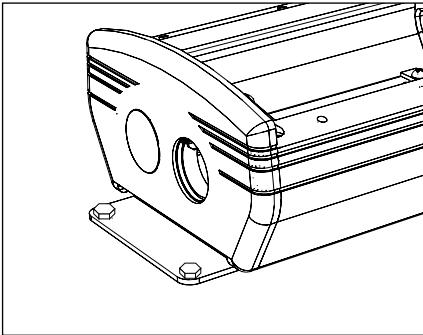
REFERENCE NUMBER
INS-1505



UNIVERSAL POWER MODULE
UPM

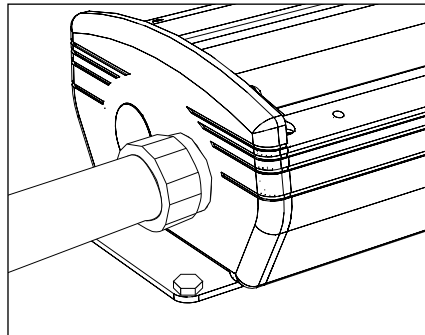
Surface Mount installation (H.I.D.)

PM3 SURFACE MOUNT



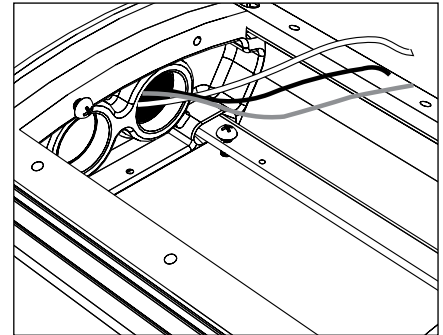
4. Attach the UPM housing at mounting brackets with 1/4" fasteners (by others). Use suitable mounting hardware for surface.

NOTE: Many methods exist to bolt to a flat surface. The fixture is provided with mounting brackets with 1/4" holes.

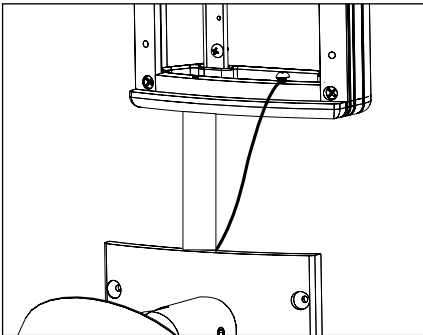


5. Connect 3/4" conduit connector through female threaded conduit entry.

NOTE: Surface conduit is a common entrance for water if not properly sealed. Seal connector threads and conduit with a suitable sealant (Teflon tape, adhesive, etc.). Sealing the conduit after knockouts are removed is required to maintain warranty.

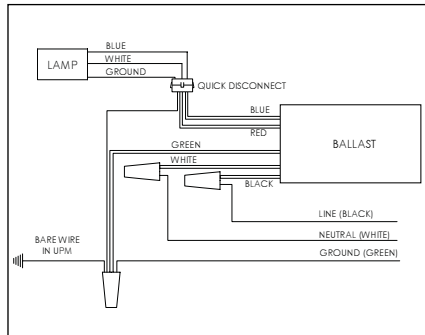


6. Pull branch circuit wiring necessary for installation (By Others.)

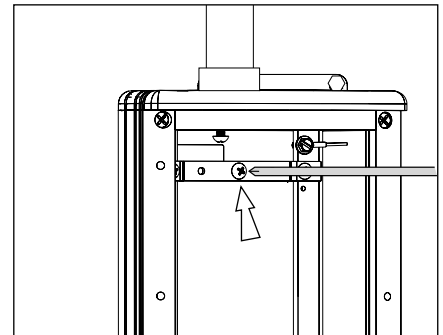


7. Attach tether wire under screw head at the base of the UPM housing and tighten. Slowly lower the faceplate until tether is taut.

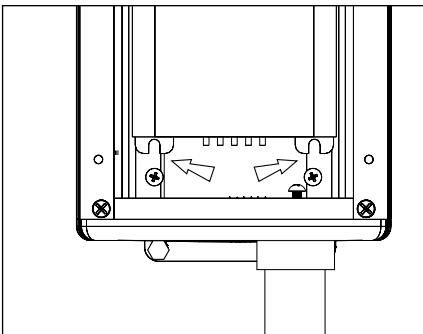
NOTE: Faceplate tether supplied with UPM is designed as an installation aid and NOT a safety cable. Do not add weight to, or drop faceplate.



8. Use wire connectors (By Others) to connect ballast primary leads to branch circuit wires. Connect incoming ground, lamp ground and ballast ground to ground wire provided in UPM housing. See wiring diagram.

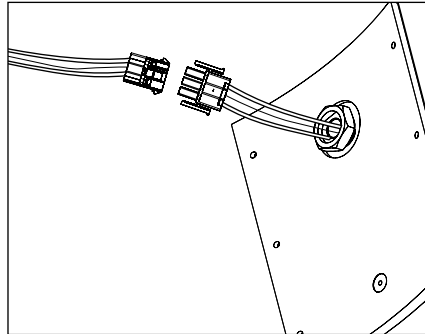


9. Remove the #8-32 screw in UPM housing

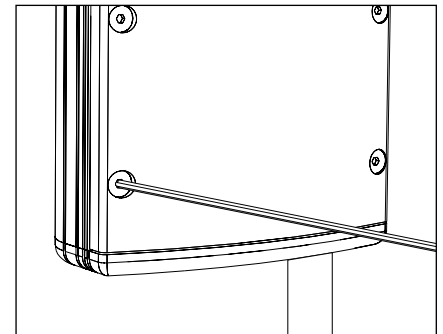


10. Slide ballast feet under two screws in UPM housing and tighten screws

11. Reinstall #8-32 screw on other side of ballast and tighten to secure ballast to UPM housing.



12. Connect secondary leads from ballast to lamp leads using pre-wired factory quick disconnect.



13. Make sure UPM housing gasket is free of any dirt or debris. Attach the faceplate by tightening the (6) #10-24 captive screws evenly to 30 in/lbs using a 1/8" allen wrench.

**IMPORTANT SAFETY INFORMATION LISTED ON REVERSE
READ, FOLLOW, AND SAVE ALL SAFETY AND INSTALLATION INSTRUCTIONS**



ETL LISTED
CONFORMS TO ANSI/UL
STANDARD 1598
CERTIFIED TO CAN/CSA
STANDARD C22.2 NO. 250

B-K LIGHTING

40429 Brickyard Drive • Madera, CA 93636 • USA
559.438.5800 • FAX 559.438.5900
www.bklighting.com • info@bklighting.com

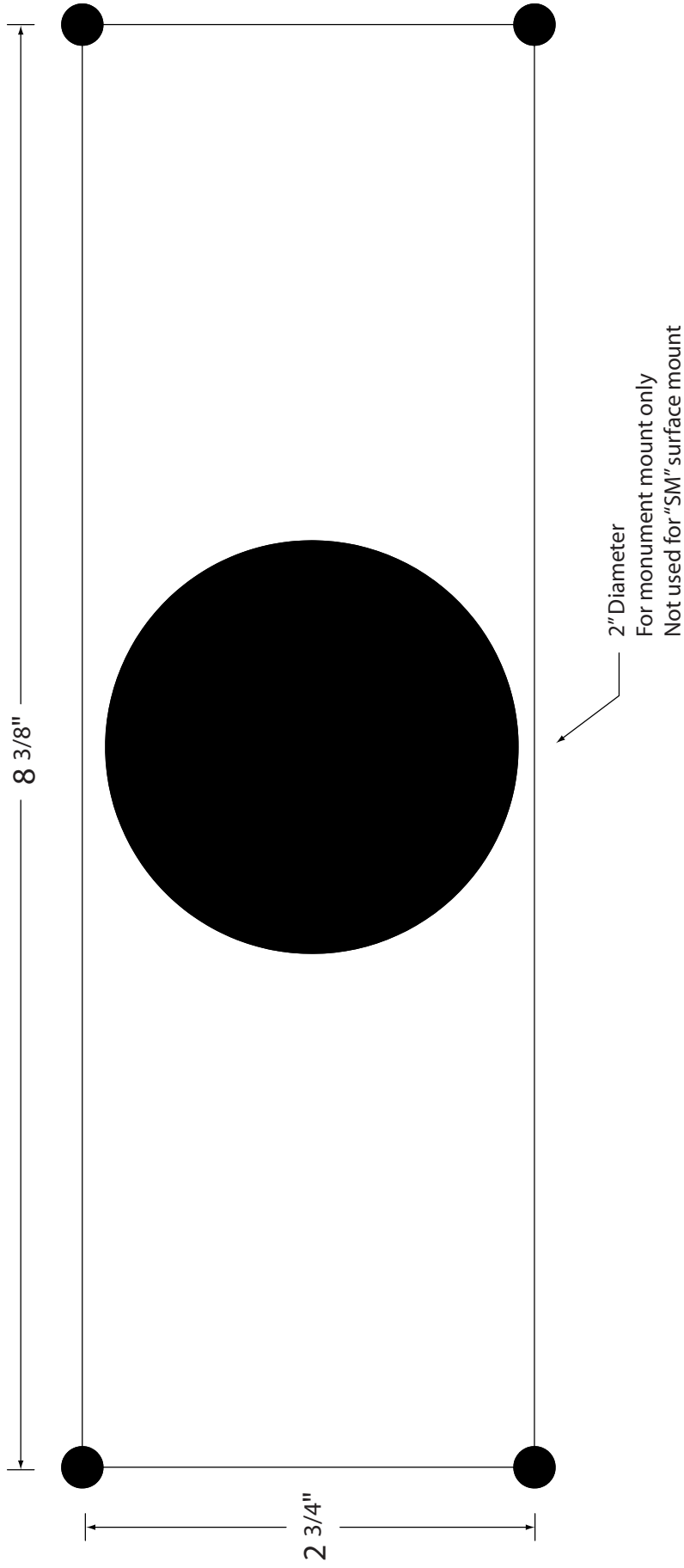
REVISION DATE
7-27-09

REFERENCE NUMBER
INS-1505



WARNING!

Template must print at proper scale.
Verify dimensions prior to use.



NOTES:

1. ALIGN THE LARGE CIRCLE OVER THE POWER PIPE™. (FOR MONUMENT MOUNT ONLY)
2. THE SMALL CIRCLES ARE THE LOCATION OF THE 1/4" FASTENERS (BY OTHERS) REQUIRED FOR FINISHED MOUNTING.

THIS DOCUMENT CONTAINS PROPRIETARY INFORMATION OF B-K LIGHTING AND ITS RECEIPT OR POSSESSION DOES NOT CONVEY ANY RIGHTS TO REPRODUCE, DISCLOSE ITS CONTENTS, OR TO MANUFACTURE, USE OR SELL ANYTHING IT MAY DESCRIBE. REPRODUCTION, DISCLOSURE OR USE WITHOUT SPECIFIC WRITTEN AUTHORIZATION OF B-K LIGHTING IS STRICTLY FORBIDDEN.

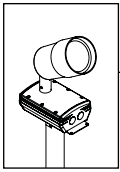


PM3 MONUMENT/SURFACE TEMPLATE

12/22/06

B-K LIGHTING, INC.

DRAWING NUMBER



UNIVERSAL POWER MODULE
UPM

PM3 MONUMENT (POWER PIPE™)

Monument Mount installation (H.I.D.)



Warning



High Voltage



Hot Surface

NEEDED
FOR
INSTALLATION:

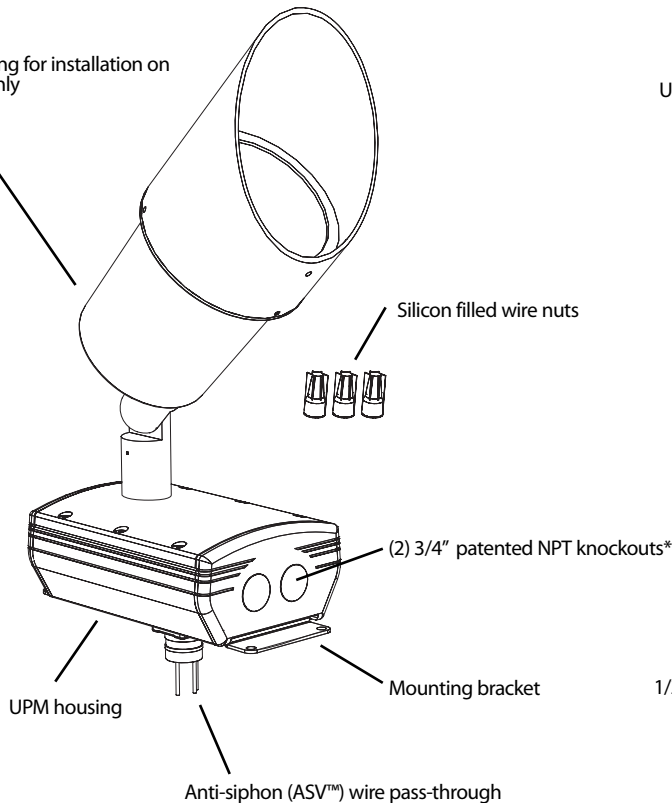
- Mounting hardware
- 1/4" drill bit and drill

By Others

IMPORTANT SAFETY INFORMATION - READ, FOLLOW, AND SAVE ALL SAFETY AND INSTALLATION INSTRUCTIONS

- Product must be installed by a qualified person in a manner consistent with its intended use and in compliance with the National Electrical Code, Canadian Electrical Code, and all Local and Provincial Codes.
- Follow product label information and instructions.
- Qualified Personnel must perform all servicing or relamping of this product.
- Before wiring to power supply and during servicing or relamping, turn off power at fuse or circuit breaker before service.
- The use of accessory equipment not recommended by the manufacturer or installed contrary to instructions may cause an unsafe condition. The use of damaged components may cause an unsafe condition and void product warranty.
- Do not block light emanating from product in whole or part, as this may cause an unsafe condition.
- Never operate the fixture with missing or damaged lens. Lens must be cleaned on regular basis.
- Energized lamp gets hot very quickly. Allow it to cool before service.
- Entire fixture may become extremely hot. Do not touch hot lens or fixture body. Do not touch the lamp at any time. Use a clean, dry, soft cloth to handle the lamp. Oil from skin may damage the lamp and cause it to rupture.
- Replace lamp only with correct wattage and type of lamp marked on fixture label.
- All gaskets, o-rings and sealing surfaces must be kept clean during installation and service; failure to do this may cause an unsafe condition and void product warranty.

UPM housing for installation on concrete only



Temporary cover

UPM PowerPipe™

Stability flange

1/2" conduit connectors

* UPM is covered in whole or in part by US patent #6,940,012

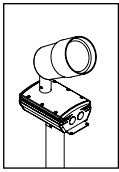
B-K LIGHTING

40429 Brickyard Drive • Madera, CA 93636 • USA
559.438.5800 • FAX 559.438.5900
www.bklighting.com • info@bklighting.com

REVISION DATE
7-27-09

REFERENCE NUMBER
INS-1422

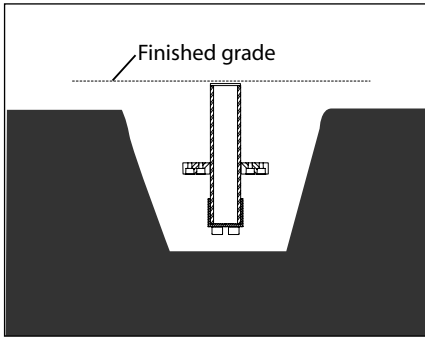
THIS DOCUMENT CONTAINS PROPRIETARY INFORMATION OF B-K LIGHTING, INC. AND ITS RECEIPT OR POSSESSION DOES NOT CONVEY ANY RIGHTS TO REPRODUCE, DISCLOSE ITS CONTENTS, OR TO MANUFACTURE, USE OR SELL ANYTHING IT MAY DESCRIBE. REPRODUCTION, DISCLOSURE OR USE WITHOUT SPECIFIC WRITTEN AUTHORIZATION OF B-K LIGHTING, INC. IS STRICTLY FORBIDDEN.



UNIVERSAL POWER MODULE
UPM

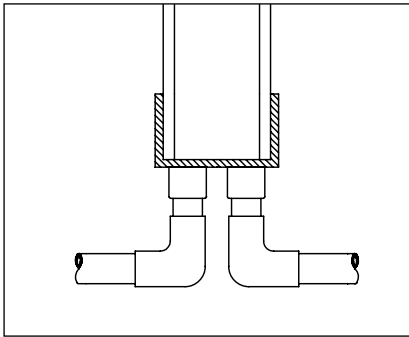
PM3 MONUMENT (POWER PIPE™)

Monument Mount installation (H.I.D.)



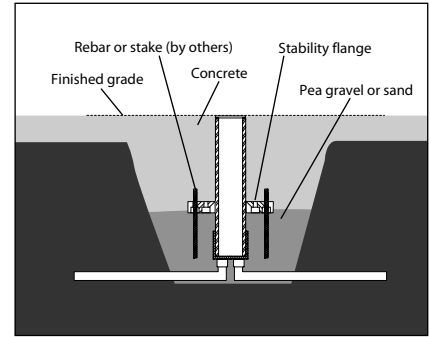
1. Excavate trench according to designed lighting plan. Dig hole a minimum of 24" deep and 10" wide to accommodate PowerPipe™ at desired fixture locations.

⚠ UPM housing for installation in concrete only. Installation of housing in direct contact with soil will void product warranty.



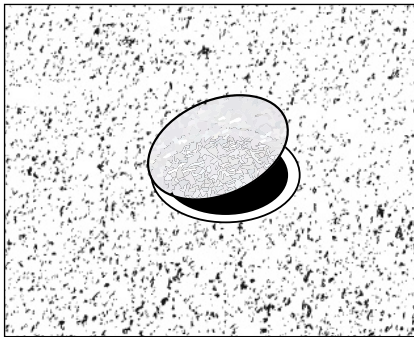
2. Connect conduit to the 1/2" conduit couplers attached to the bottom of the PowerPipe™. Place PowerPipe™ in hole.

⚠ Do not remove temporary cover.



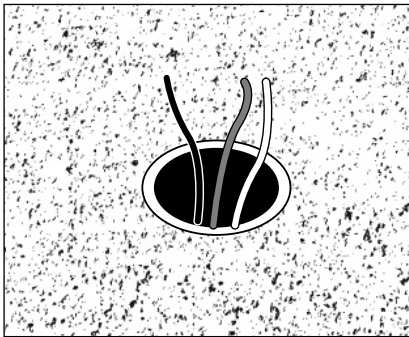
3. Back fill with pea gravel or sand prior to pour.

⚠ NOTE: The PowerPipe™ must be flush to finished grade. Use stability flange to aid in installation of PowerPipe™ as shown.

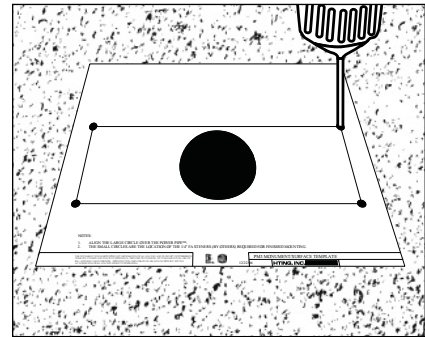


4. Pour concrete (By Others).

⚠ PowerPipe™ must be flush to finished grade!



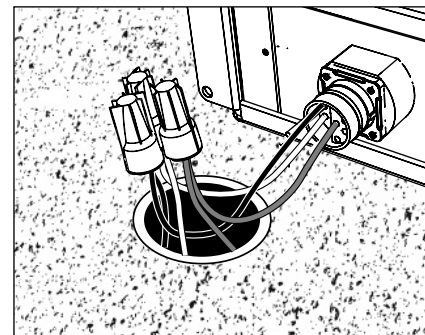
6. Pull branch circuit wiring necessary for installation (By Others).



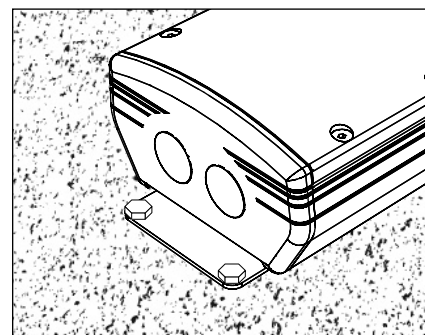
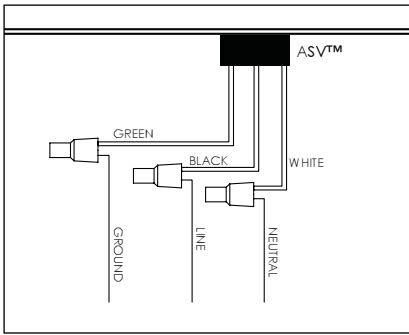
7. Place provided template in final mounting position according to designed lighting plan.

8. Align the large circle over the PowerPipe™. Drill holes into surface for 1/4" fasteners (By Others) on locations illustrated on template.

NOTE: Additional templates are available at <http://www.bklighting.com/templates>



9. Use silicone filled wire nuts provided to connect branch circuit wiring to the anti-siphon (ASV™) wire pass-through located on the bottom of the UPM housing. See wiring diagram.



10. Anchor the UPM housing with mounting brackets provided using 1/4" fasteners (By Others).

**IMPORTANT SAFETY INFORMATION LISTED ON REVERSE
READ, FOLLOW, AND SAVE ALL SAFETY AND INSTALLATION INSTRUCTIONS**



ETL LISTED
CONFORMS TO ANSI/UL
STANDARD 1598
CERTIFIED TO CAN/CSA
STANDARD C22.2 NO. 250

B-K LIGHTING

40429 Brickyard Drive • Madera, CA 93636 • USA
559.438.5800 • FAX 559.438.5900
www.bklighting.com • info@bklighting.com

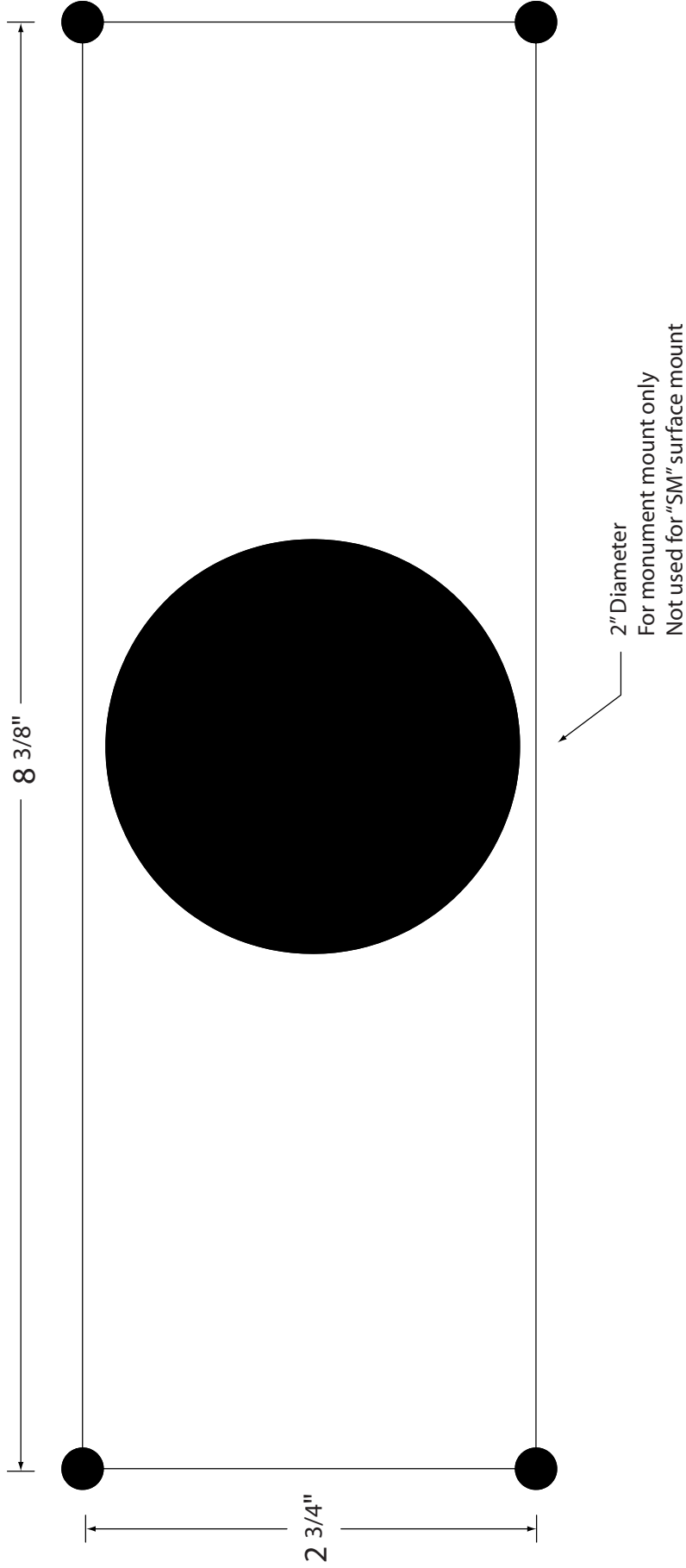
REVISION DATE
7-27-09

REFERENCE NUMBER
INS-1422



WARNING!

Template must print at proper scale.
Verify dimensions prior to use.



NOTES:

1. ALIGN THE LARGE CIRCLE OVER THE POWER PIPE™. (FOR MONUMENT MOUNT ONLY)
2. THE SMALL CIRCLES ARE THE LOCATION OF THE 1/4" FASTENERS (BY OTHERS) REQUIRED FOR FINISHED MOUNTING.

THIS DOCUMENT CONTAINS PROPRIETARY INFORMATION OF B-K LIGHTING AND ITS RECEIPT OR POSSESSION DOES NOT CONVEY ANY RIGHTS TO REPRODUCE, DISCLOSE ITS CONTENTS, OR TO MANUFACTURE, USE OR SELL ANYTHING IT MAY DESCRIBE. REPRODUCTION, DISCLOSURE OR USE WITHOUT SPECIFIC WRITTEN AUTHORIZATION OF B-K LIGHTING IS STRICTLY FORBIDDEN.

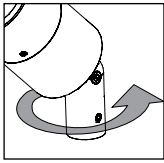


PM3 MONUMENT/SURFACE TEMPLATE

12/22/06

B-K LIGHTING, INC.

DRAWING NUMBER



Standard Adjustment



Warning



Hot Surface

360HD™ Mounting System

TOOLS NEEDED:



3/16" Allen wrench

By Others

INSTRUCTIONS PERTAINING TO A RISK OF FIRE, OR INJURY TO PERSONS IMPORTANT SAFETY INSTRUCTIONS

Lighted lamp is HOT!

WARNING - To reduce the risk of FIRE OR INJURY TO PERSONS:
Turn off/unplug and allow to cool before replacing lamp.
Lamp gets HOT quickly! Contact only switch/plug when
turning on.

Do not touch hot lens, guard, or enclosure (see diagram/
picture).

Keep lamp away from materials that may burn.
Do not touch the lamp at any time. Use a soft cloth. Oil
from skin may damage lamp.

Do not operate the luminaire fitting with a missing or
damaged shield.

SAVE THESE INSTRUCTIONS

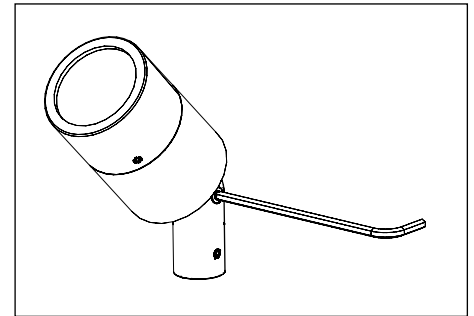
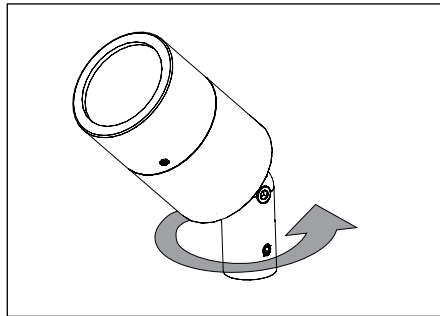
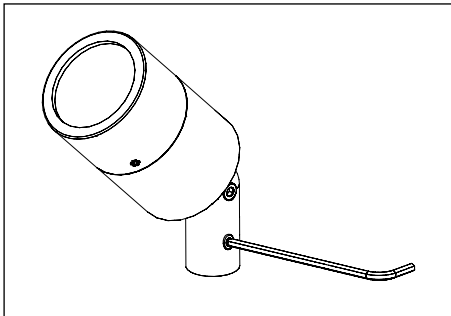
IMPORTANT SAFETY INFORMATION - READ, FOLLOW, AND SAVE ALL SAFETY AND INSTALLATION INSTRUCTIONS

- Product must be installed by a qualified person in a manner consistent with its intended use and in compliance with the National Electrical Code, Canadian Electrical Code, and all Local and Provincial Codes.
- Follow product label information and instructions.
- Qualified Personnel must perform all servicing or relamping of this product.
- Before wiring to power supply and during servicing or relamping, turn off power at fuse or circuit breaker before service.
- The use of accessory equipment not recommended by the manufacturer or installed contrary to instructions may cause an unsafe condition. The use of damaged components may cause an unsafe condition and void product warranty.
- Do not block light emanating from product in whole or part, as this may cause an unsafe condition.
- Never operate the fixture with missing or damaged lens. Lens must be cleaned on regular basis.
- Entire fixture may become extremely hot. Do not touch hot lens or fixture body. Do not touch the lamp at any time. Use a clean, dry, soft cloth to handle the lamp. Oil from skin may damage the lamp and cause it to rupture.
- Replace lamp only with correct wattage and type of lamp marked on fixture label.
- All gaskets, O-rings and sealing surfaces must be kept clean during installation and service; failure to do this may cause an unsafe condition and void product warranty.

IMPORTANT LISTINGS AND CERTIFICATIONS

- Suitable for wet locations • Additionally suitable for mounting within 4 ft. of the ground

360HD™ Knuckle



- Use 3/16" Allen wrench to slightly loosen (1) 3/8"-16 x 3/8" stainless steel black oxide set screw on the stem for 360° aiming purpose.
- Rotate fixture at base and aim fixture to desired horizontal location.
- Use 3/16" Allen wrench to loosen (1) 1/4"-28 x 1-1/4" stainless steel black oxide socket head cap screw at the knuckle for vertical aiming purpose.
- Tighten (1) 3/8"-16 x 3/8" stainless steel black oxide set screw on the stem to secure horizontal aiming position.

Tighten (1) 1/4"-28 x 1-1/4" stainless steel black oxide socket head cap screw to 24" minimum to 48" maximum pounds to secure vertical aiming position

Warning: Do not over tighten set screw. Doing so will compromise O-ring seal and will void warranty.

IMPORTANT SAFETY INFORMATION - READ, FOLLOW, AND SAVE THESE INSTALLATION INSTRUCTIONS

B-K LIGHTING

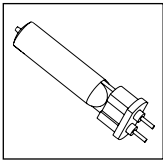
40429 Brickyard Drive • Madera, CA 93636 • USA
559.438.5800 • FAX 559.438.5900
www.bklighting.com • info@bklighting.com

RELEASED
1-31-14

REFERENCE NUMBER
INS-2096-00

THIS DOCUMENT CONTAINS PROPRIETARY INFORMATION OF B-K LIGHTING, INC. AND ITS RECEIPT OR POSSESSION DOES NOT CONVEY ANY RIGHTS TO REPRODUCE, DISCLOSE ITS CONTENTS, OR TO MANUFACTURE, USE OR SELL ANYTHING IT MAY DESCRIBE. REPRODUCTION, DISCLOSURE OR USE WITHOUT SPECIFIC WRITTEN AUTHORIZATION OF B-K LIGHTING, INC. IS STRICTLY FORBIDDEN.

T6 Metal Halide Yosemite / Sequoia



Lamp Installation



Warning



Hot Surface

TOOLS NEEDED:



7/64" Allen Wrench

By Others

INSTRUCTIONS PERTAINING TO A RISK OF FIRE, OR INJURY TO PERSONS IMPORTANT SAFETY INSTRUCTIONS

Lighted lamp is HOT!
WARNING - To reduce the risk of FIRE OR INJURY TO PERSONS:
Turn off/unplug and allow to cool before replacing lamp.
Lamp gets HOT quickly! Contact only switch/plug when
turning on.

Do not touch hot lens, guard, or enclosure (see diagram/
picture).

Keep lamp away from materials that may burn.
Do not touch the lamp at any time. Use a soft cloth. Oil
from skin may damage lamp.
Do not operate the luminaire fitting with a missing or
damaged shield.

SAVE THESE INSTRUCTIONS

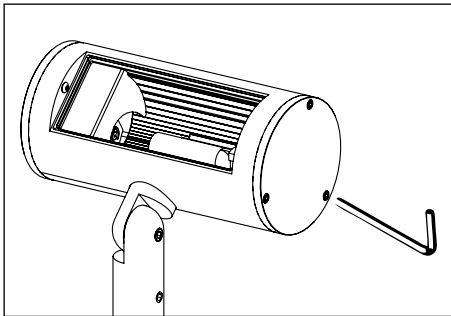
IMPORTANT SAFETY INFORMATION - READ, FOLLOW, AND SAVE ALL SAFETY AND INSTALLATION INSTRUCTIONS

- Product must be installed by a qualified person in a manner consistent with its intended use and in compliance with the National Electrical Code, Canadian Electrical Code, and all Local and Provincial Codes.
- Follow product label information and instructions.
- Qualified Personnel must perform all servicing or relamping of this product.
- Before wiring to power supply and during servicing or relamping, turn off power at fuse or circuit breaker before service.
- The use of accessory equipment not recommended by the manufacturer or installed contrary to instructions may cause an unsafe condition. The use of damaged components may cause an unsafe condition and void product warranty.
- Do not block light emanating from product in whole or part, as this may cause an unsafe condition.
- Never operate the fixture with missing or damaged lens. Lens must be cleaned on regular basis.
- Entire fixture may become extremely hot. Do not touch hot lens or fixture body. Do not touch the lamp at any time. Use a clean, dry, soft cloth to handle the lamp. Oil from skin may damage the lamp and cause it to rupture.
- Replace lamp only with correct wattage and type of lamp marked on fixture label.
- All gaskets, O-rings and sealing surfaces must be kept clean during installation and service; failure to do this may cause an unsafe condition and void product warranty.

IMPORTANT LISTINGS AND CERTIFICATIONS

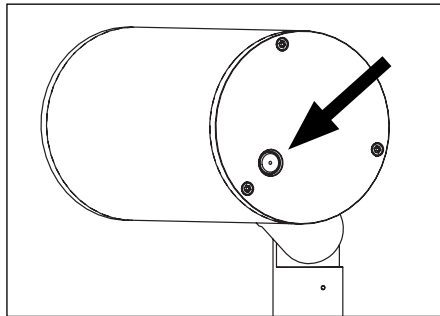
- Suitable for wet locations - Additionally suitable for mounting within 4 ft. of the ground

Lamp Installation Or Re-Lamping if Required for T6 Metal Halide Lamps

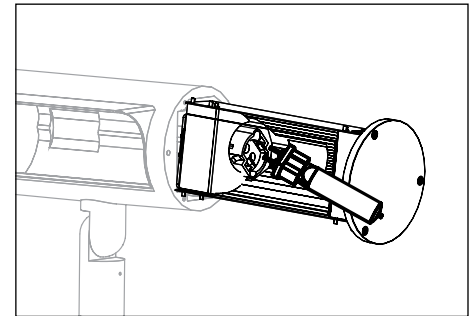


- Loosen three (3) captive #6-32 screws securing cap/socket assembly with 7/64" Allen wrench.

NOTE: Only one end cap (without ACV™) is removable.

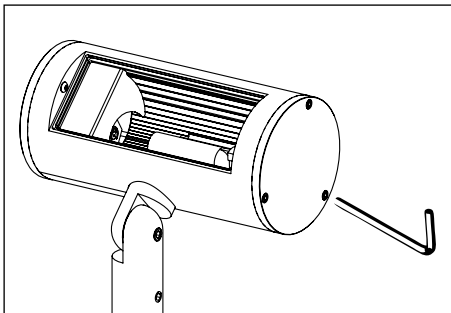


- Depress patented Anti-Condensation Valve™ (ACV™) to release vacuum and pull cap/socket assembly to access. Screws will be retained in cap.



- Install appropriate T6 metal halide lamp in socket. Re-install end cap assembly.

Do not exceed the maximum wattage listed on the fixture label before installing.



- Reinstall cap/socket assembly and tighten three (3) captive #6-32 screws with 7/64" Allen wrench.

Warning: Do not over tighten. Doing so will compromise O-ring seal and will void warranty.

IMPORTANT SAFETY INFORMATION - READ, FOLLOW, AND SAVE THESE INSTALLATION INSTRUCTIONS

B-K LIGHTING

40429 Brickyard Drive • Madera, CA 93636 • USA
559.438.5800 • FAX 559.438.5900
www.bklighting.com • info@bklighting.com

RELEASED
3-25-15

REFERENCE NUMBER
INS-2094-00

THIS DOCUMENT CONTAINS PROPRIETARY INFORMATION OF B-K LIGHTING, INC. AND ITS RECEIPT OR POSSESSION DOES NOT CONVEY ANY RIGHTS TO REPRODUCE, DISCLOSE ITS CONTENTS, OR TO MANUFACTURE, USE OR SELL ANYTHING IT MAY DESCRIBE. REPRODUCTION, DISCLOSURE OR USE WITHOUT SPECIFIC WRITTEN AUTHORIZATION OF B-K LIGHTING, INC. IS STRICTLY FORBIDDEN.