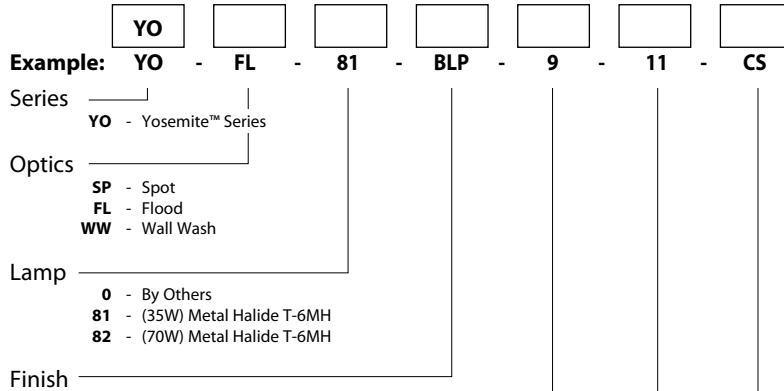


# T6 Metal Halide

# YOSEMITE™ SERIES

<b>PROJECT:</b>	
<b>TYPE:</b>	
<b>CATALOG NUMBER:</b>	
<b>SOURCE:</b>	
<b>NOTES:</b>	

## CATALOG NUMBER LOGIC



**Configure Ballast Housing Separately**  
**Ballast Housing Required**

**INTEGRAL BALLAST HOUSINGS:**  
**HP2** - HP2 Housing  
**PM3** - Universal Power Module 3  
**PM3D** - Universal Power Module 3 Dual  
**PPII** - Power Pipe II  
**PCIII** - Power Canopy III  
**TMB** - Pole Mount or Tenon Mount

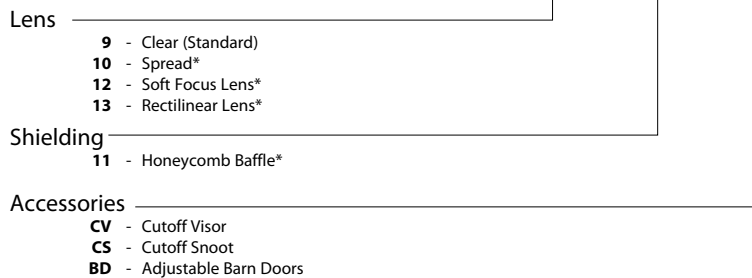
**REMOTE BALLAST HOUSINGS:**  
**HP2RM** - HP2 Remote Housing  
**PM3RM** - Universal Power Module 3 Remote  
**PM3DRM** - Universal Power Module 3 Dual Remote  
**RM** - Remote Wall Mount  
**DRM** - Dual Remote Wall Mount

### Standard Finish

Powder Coat Color	Satin	Wrinkle
Bronze	<b>BZP</b>	<b>BZW</b>
Black	<b>BLP</b>	<b>BLW</b>
White (Gloss)	<b>WHP</b>	<b>WHW</b>
Aluminum	<b>SAP</b>	—
Verde	—	<b>VER</b>

### Premium Finish

<b>ABP</b> Antique Brass Powder	<b>CMG</b> Cascade Mountain Granite	<b>RMG</b> Rocky Mountain Granite
<b>AMG</b> Aleutian Mountain Granite	<b>CRI</b> Cracked Ice	<b>SDS</b> Sonoran Desert Sandstone
<b>AQW</b> Antique White	<b>CRM</b> Cream	<b>SMG</b> Sierra Mountain Granite
<b>BCM</b> Black Chrome	<b>HUG</b> Hunter Green	<b>TXF</b> Textured Forest
<b>BGE</b> Beige	<b>MDS</b> Mojave Desert Sandstone	<b>WCP</b> Weathered Copper
<b>BPP</b> Brown Patina Powder	<b>NBP</b> Natural Brass Powder	<b>WIR</b> Weathered Iron
<b>CAP</b> Clear Anodized Powder	<b>OCP</b> Old Copper	<i>Also available in RAL Finishes See submittal SUB-1439-00</i>

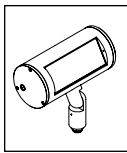


\* Accommodates up to 2 Lens/Shielding media

## LAMP DATA

BK No.	Lamp Watts	Description	Rated Life	Initial Lumens	Mean Lumens	CRI	CCT(K)
81	35	35T6/MH/830	12,000	3,300	2,600	81	3,000
82	70	70T6/MH/830	12,000	6,600	4,950	82	3,000

<b>B-K LIGHTING</b>	40429 Brickyard Drive • Madera, CA 93636 • USA 559.438.5800 • FAX 559.438.5900 www.bklighting.com • info@bklighting.com	RELEASED 03-24-15	DRAWING NUMBER SUB-2083-00
	<small>THIS DOCUMENT CONTAINS PROPRIETARY INFORMATION OF B-K LIGHTING, INC. AND ITS RECEIPT OR POSSESSION DOES NOT CONVEY ANY RIGHTS TO REPRODUCE, DISCLOSE ITS CONTENTS, OR TO MANUFACTURE, USE OR SELL ANYTHING IT MAY DESCRIBE. REPRODUCTION, DISCLOSURE OR USE WITHOUT SPECIFIC WRITTEN AUTHORIZATION OF B-K LIGHTING, INC. IS STRICTLY FORBIDDEN.</small>		

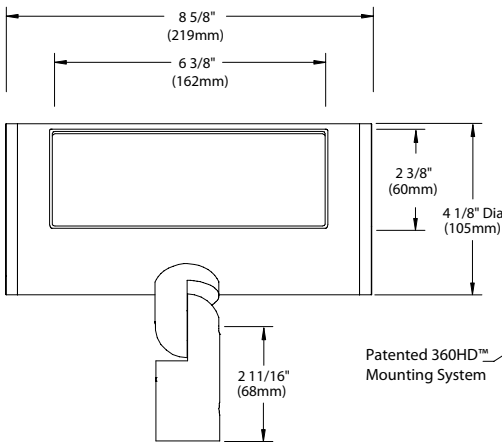


## T6 Metal Halide

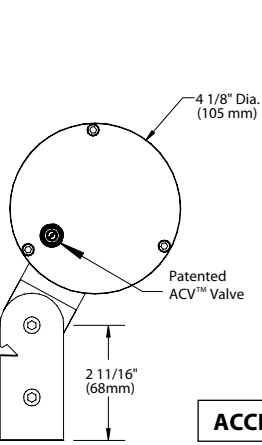
# YOSEMITE™ SERIES

PROJECT:	
TYPE:	

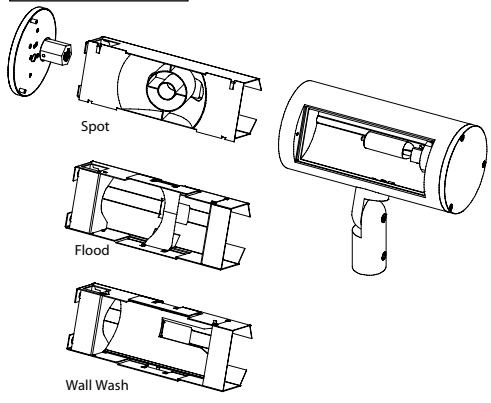
### FRONT VIEW



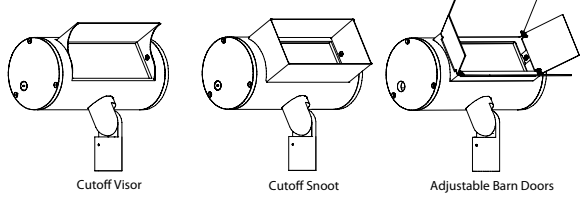
### SIDE VIEW



### OPTICS



### ACCESSORIES

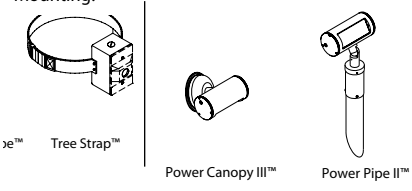


All dimensions indicated on this submittal are nominal. Contact Technical Sales if you require more stringent specifications.

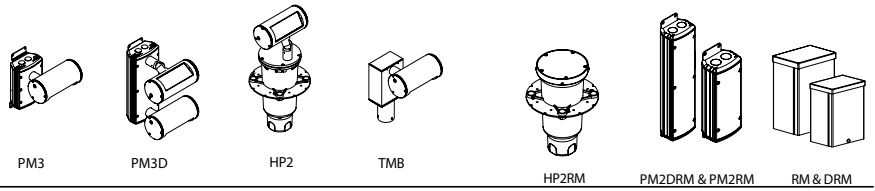
### Accessories (Configure separately)

### Ballast Housings (Configure separately)

#### Mounting:



#### Remote Ballasts:



## SPECIFICATIONS

### GreenSource Initiative™

Metal and packaging components are made from recycled materials. Manufactured using renewable solar energy, produced on site. Returnable to manufacturer at end of life to ensure cradle-to-cradle handling. Packaging contains no chlorofluorocarbons (CFC's). Use of this product may qualify for GreenSource efficacy and recycling rebate(s). Consult [www.bklighting.com/greensource](http://www.bklighting.com/greensource) for program requirements.

### Body

Copper free aluminum extrusion with stainless steel hardware. Machined end caps are gasketed to create a water-tight seal for optical compartment. Design provides enclosed, water-proof wireway to maximize lamp life.

### Knuckle

Patented 360HD™ Mounting System features a mechanical taper-lock, which allows a full 180° vertical adjustment without the use of serrated teeth, which inherently limit aiming. High temperature, silicone 'O' Ring provides water-tight seal and compressive resistance to maintain fixture position. Design withstands 73 lb. static load prior to movement to ensure decades of optical alignment. 1/2" pipe thread for mounting. Biaxial source control additionally provides 360° horizontal rotation in addition to vertical adjustment. 'Aim-And-Lock' Technology allows precision adjustment without the redundant tightening and loosening of knuckle screw.

### Lens

Shock resistant, tempered, clear glass lens is factory adhered to fixture body and provides hermetically sealed optical compartment.

### Lamp

For use with 70 watt maximum T6 metal halide lamp.

### Optics

Select from three field interchangeable optic modules, Spot (SP), Flood (FL) or Wall Wash (WW).

### Socket

Specification grade ceramic body lamp holder rated for 5kV starting pulse. G12 bi-pin base, nickel-plated contacts and stainless steel, heat resistant lamp retaining clips.

### Accessories

Cut-off visor (CV), cut-off snoot (CS) or adjustable barn doors (BD) for optimum lighting control. Accommodates up to [2] lens or louver media.

### Ballast

For use with remote, metal halide ballast. See ballast technical data to determine lamp-to-ballast distance and wiring requirements prior to detailing field installation of any remote wiring.

### Wiring

Teflon® coated wire, 18AWG, 600V, 250° C rated and certified to UL 1659 standard.

### Hardware

Tamper-resistant, stainless steel hardware. Fixture hardware is keyed to maintain optical alignment during lamp service. 360HD™ Knuckle hardware is additionally black oxidized.

### Finish

StarGuard®, our exclusive RoHs compliant, 15 stage chromate-free process cleans and conversion coats aluminum components prior to application of Class 'A' TGIC polyester powder coating.

### Warranty

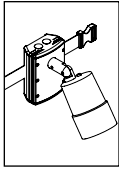
5 year limited warranty.

### Listings

UL Listed. Certified to CAN/CSA/ANSI Standards. RoHs compliant. Suitable for indoor or outdoor use. Suitable for use in wet locations. IP65 rated. Suitable for installation within 4' of the ground. Made in USA.



\*Teflon is a registered trademark of DuPont Corporation.



UNIVERSAL POWER MODULE  
**UPM**

Metal Halide

# PM3 TREE STRAP™

<b>PROJECT:</b>	
<b>TYPE:</b>	
<b>CATALOG NUMBER:</b>	
<b>SOURCE(S):</b>	
<b>NOTES:</b>	

## CATALOG NUMBER LOGIC



**Example**

**PM3 - TSC-18 - H150E - 1 - 277 -**

Series

**PM3** - Universal Power Module™ 3  
(specify fixture separately)

Mounting

**TSC - Length** - Tree Strap™ (Specify Adjustable Strap Length)  
Minimum 3" Adjustable Strap with Safety Cable (Standard)

Ballast Type

**H35E** - 35W Electronic Metal Halide Ballast  
**H70E** - 70W Electronic Metal Halide Ballast  
**H100E** - 100W Electronic Metal Halide Ballast  
**H150E** - 150W Electronic Metal Halide Ballast\*  
*\*H150E available in 120 VAC or 277 VAC only*

Fixture Position

**1** - Offset  
**2** - Center

Input Voltage

**120** - 120 VAC Input\*  
**277** - 277 VAC Input\*  
**MT** - 120/208/240/277 Volt Multi Tap (Electronic Ballast)  
*\*H150E available in 120 VAC or 277 VAC only*

Options

**MB** - Mounting Brackets

## BALLAST ELECTRICAL DATA

BALLAST	TYPE	INPUT VOLTS	INPUT WATTS	INPUT CURRENT	CIRCUIT TYPE	MINIMUM START TEMPERATURE
H35E	Electronic	120	44	0.39	HPF	-5° F
H35E	Electronic	277	44	0.17	HPF	-5° F
H70E	Electronic	120	79	0.67	HPF	-5° F
H70E	Electronic	277	79	0.29	HPF	-5° F
H100E	Electronic	120	110	0.90	HPF	-5° F
H100E	Electronic	277	110	0.41	HPF	-5° F
H150E	Electronic	120	167	1.40	HPF	-22° F
H150E	Electronic	277	167	0.61	HPF	-22° F

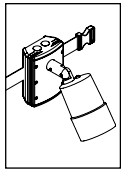
**B-K LIGHTING**

40429 Brickyard Drive • Madera, CA 93636 • USA  
559.438.5800 • FAX 559.438.5900  
www.bklighting.com • info@bklighting.com

SUBMITTAL DATE  
**6-10-14**

DRAWING NUMBER  
**SUB-1421-00**

THIS DOCUMENT CONTAINS PROPRIETARY INFORMATION OF B-K LIGHTING, INC. AND ITS RECEIPT OR POSSESSION DOES NOT CONVEY ANY RIGHTS TO REPRODUCE, DISCLOSE ITS CONTENTS, OR TO MANUFACTURE, USE OR SELL ANYTHING IT MAY DESCRIBE. REPRODUCTION, DISCLOSURE OR USE WITHOUT SPECIFIC WRITTEN AUTHORIZATION OF B-K LIGHTING, INC. IS STRICTLY FORBIDDEN.



UNIVERSAL POWER MODULE  
**UPM**

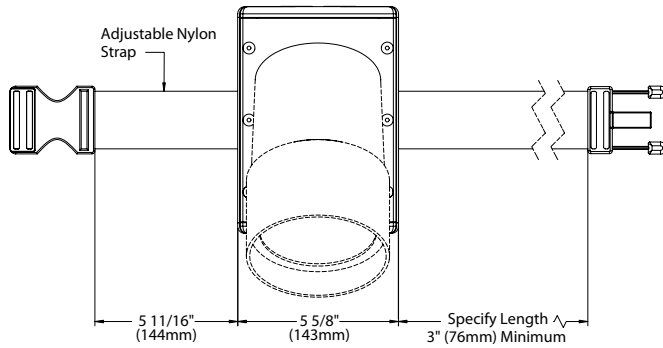
Metal Halide

# PM3 TREE STRAP™

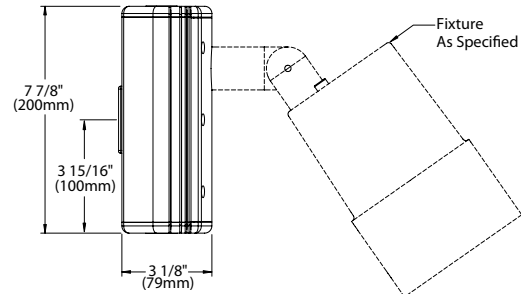
PROJECT:

TYPE:

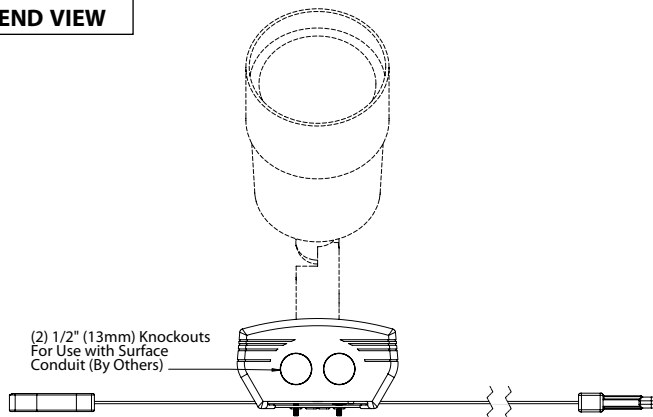
## TOP VIEW



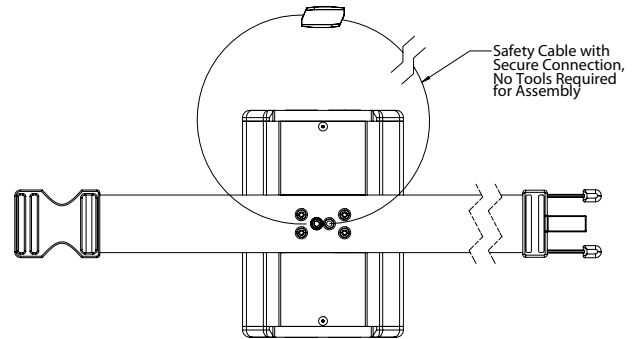
## SIDE VIEW



## END VIEW



## SAFETY CABLE



All dimensions indicated on this submittal are nominal. Contact Technical Sales if you require more stringent specifications.

## SPECIFICATIONS

### GreenSource Initiative™

Metal and packaging components are made from recycled materials. Manufactured using renewable solar energy, produced onsite. Returnable to manufacturer at end of life to ensure cradle-to-cradle handling. Packaging contains no chlorofluorocarbons (CFC's). Use of this product may qualify for GreenSource efficacy and recycling rebate(s). Consult [www.bklighting.com/greensource](http://www.bklighting.com/greensource) for program requirements.

### Installation

Universal design accommodates a single metal halide fixture (specified separately) and permits water-tight installation in four distinct mounting conditions:

### Tree Installation

Tree Strap™ mounting system facilitates non-invasive installation. Adjustable nylon strap is mold and mildew resistant and will not hinder tree growth. Stainless steel safety cable maintains UPM mounting when nylon strap is disengaged.

### Housing

Copper free, aluminum extrusion with die cast end caps. Surface mounted with flow through back channel to prevent water and debris collection. Machined aluminum cover with countersunk holes for flush hardware installation. Specify offset or center fixture position. Tamper-resistant, captive, black oxide stainless steel mounting screws. Front access for ease of installation and inspection. [2] 1/2" NPT female conduit entries per end cap for through wiring.

### Installation Tether

Stainless steel cable with integral loop allows cover to temporarily suspend from housing during installation to simplify wire connection and component attachment.

### Patented Knockouts

[4] 3/4" NPT, machined aluminum knockouts. High temperature, silicone 'O' Ring for water-tight seal. Patented design allows knockout to be reinserted without compromising seal integrity.

### Ballast

[1] 35-150 watt, integral, high power factor, electronic metal halide ballast. Multi-Tap (120/208/240/277V) primary voltage 50/60Hz. H150E available in 120V, or 277V primary voltage. 50/60Hz.

### Finish

StarGuard®, our exclusive RoHS compliant, 15 stage chromate-free process cleans and conversion coats aluminum components prior to application of Class 'A' TGIC polyester powder coating. Finish to match fixtures. (specified separately).

### Warranty

5 year limited warranty.

### Listings

NEMA 4X / IP-66 Rated Enclosure. UL Listed. Certified to CAN/CSA/ANSI Standards. RoHS compliant. Made in USA.

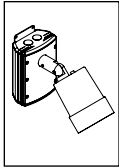


**B-K LIGHTING**

40429 Brickyard Drive • Madera, CA 93636 • USA  
559.438.5800 • FAX 559.438.5900  
[www.bklighting.com](http://www.bklighting.com) • [info@bklighting.com](mailto:info@bklighting.com)

SUBMITTAL DATE  
6-10-14

DRAWING NUMBER  
SUB-1421-00



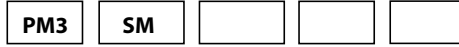
UNIVERSAL POWER MODULE  
**UPM**

Metal Halide

# PM3 SURFACE MOUNT

<b>PROJECT:</b>	
<b>TYPE:</b>	
<b>CATALOG NUMBER:</b>	
<b>SOURCE(S):</b>	
<b>NOTES:</b>	

## CATALOG NUMBER LOGIC



**Example**

**PM3 - SM - H100E - 1 - 277**

Series

**PM3** - Universal Power Module™ 3  
(specify fixture separately)

Mounting

**SM** - Surface Mount (requires side conduit entry)

Ballast Type

**H35E** - 35W Electronic Metal Halide Ballast  
**H70E** - 70W Electronic Metal Halide Ballast  
**H100E** - 100W Electronic Metal Halide Ballast  
**H150E** - 150W Electronic Metal Halide Ballast\*  
*\*H150E available in 120 VAC or 277 VAC only*

Fixture Position

**1** - Offset  
**2** - Center

Input Voltage

**120** - 120 VAC Input\*  
**277** - 277 VAC Input\*  
**MT** - 120/208/240/277 Volt Multi Tap (Electronic Ballast)  
*\*H150E available in 120 VAC or 277 VAC only*

## BALLAST ELECTRICAL DATA

BALLAST	TYPE	INPUT VOLTS	INPUT WATTS	INPUT CURRENT	CIRCUIT TYPE	MINIMUM START TEMPERATURE
H35E	Electronic	120	44	0.39	HPF	-5° F
H35E	Electronic	277	44	0.17	HPF	-5° F
H70E	Electronic	120	79	0.67	HPF	-5° F
H70E	Electronic	277	79	0.29	HPF	-5° F
H100E	Electronic	120	110	0.90	HPF	-5° F
H100E	Electronic	277	110	0.41	HPF	-5° F
H150E	Electronic	120	167	1.40	HPF	-22° F
H150E	Electronic	277	167	0.61	HPF	-22° F

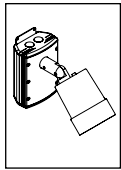
**B-K LIGHTING**

40429 Brickyard Drive • Madera, CA 93636 • USA  
 559.438.5800 • FAX 559.438.5900  
 www.bklighting.com • info@bklighting.com

SUBMITTAL DATE  
 6-10-14

DRAWING NUMBER  
 SUB-1505-00

THIS DOCUMENT CONTAINS PROPRIETARY INFORMATION OF B-K LIGHTING, INC. AND ITS RECEIPT OR POSSESSION DOES NOT CONVEY ANY RIGHTS TO REPRODUCE, DISCLOSE ITS CONTENTS, OR TO MANUFACTURE, USE OR SELL ANYTHING IT MAY DESCRIBE. REPRODUCTION, DISCLOSURE OR USE WITHOUT SPECIFIC WRITTEN AUTHORIZATION OF B-K LIGHTING, INC. IS STRICTLY FORBIDDEN.



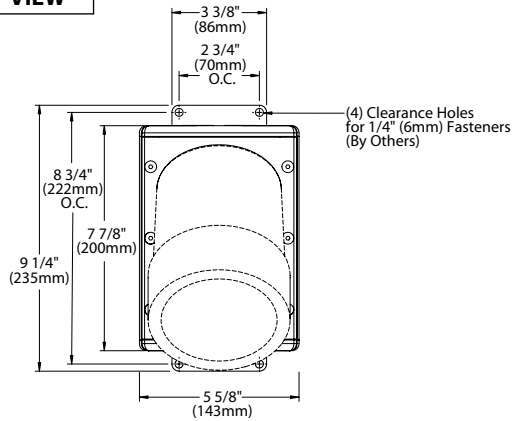
UNIVERSAL POWER MODULE  
**UPM**

Metal Halide

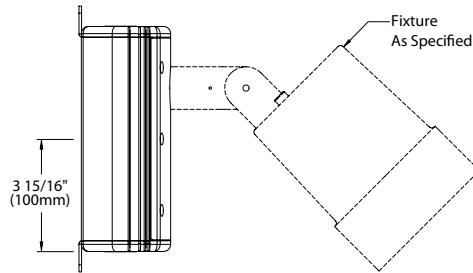
# PM3 SURFACE MOUNT

<b>PROJECT:</b>	
<b>TYPE:</b>	

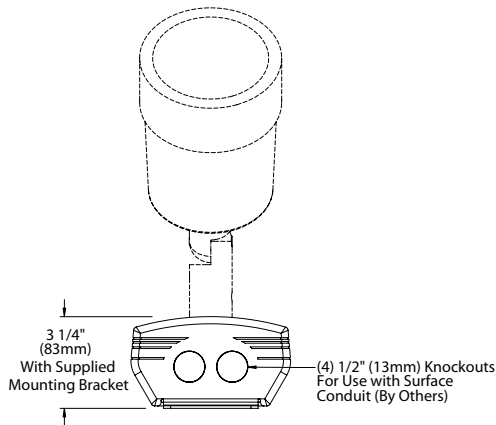
**TOP VIEW**



**SIDE VIEW**



**END VIEW**



All dimensions indicated on this submittal are nominal. Contact Technical Sales if you require more stringent specifications.

## SPECIFICATIONS

### GreenSource Initiative™

Metal and packaging components are made from recycled materials. Manufactured using renewable solar energy, produced onsite. Returnable to manufacturer at end of life to ensure cradle-to-cradle handling. Packaging contains no chlorofluorocarbons (CFC's). Use of this product may qualify for GreenSource efficacy and recycling rebate(s). Consult [www.bklighting.com/greensource](http://www.bklighting.com/greensource) for program requirements.

### Installation

Universal design accommodates a single metal halide fixture (specified separately) and permits water-tight installation in four distinct mounting conditions:

### Surface Mount

For use with side entry, surface conduits. Stainless steel mounting brackets provide for direct anchor to architectural surfaces in any orientation.

### Housing

Copper free, aluminum extrusion with die cast end caps. Surface mounted with flow through back channel to prevent water and debris collection. Machined aluminum cover with countersunk holes for flush hardware installation. Specify offset or center fixture position. Tamper-resistant, captive, black oxide stainless steel mounting screws. Front access for ease of installation and inspection. [2] 1/2" NPT female conduit entries per end cap for through wiring.

### Installation Tether

Stainless steel cable with integral loop allows cover to temporarily suspend from housing during installation to simplify wire connection and component attachment.

### Patented Knockouts

[4] 3/4" NPT, machined aluminum knockouts. High temperature, silicone 'O' Ring for water-tight seal. Patented design allows knockout to be reinserted without compromising seal integrity.

### Ballast

[1] 35-150 watt, integral, high power factor, electronic metal halide ballast. Multi-Tap (120/208/240/277V) primary voltage 50/60Hz. H150E available in 120V, or 277V primary voltage. 50/60Hz.

### Finish

StarGuard®, our exclusive RoHs compliant, 15 stage chromate-free process cleans and conversion coats aluminum components prior to application of Class 'A' TGIC polyester powder coating. Finish to match fixtures. (specified separately).

### Warranty

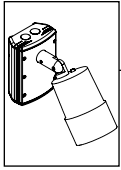
5 year limited warranty.

### Listings

NEMA 4X / IP-66 Rated Enclosure. UL Listed. Certified to CAN/CSA/ANSI Standards. RoHs compliant. Made in USA.



<b>B-K LIGHTING</b>	40429 Brickyard Drive • Madera, CA 93636 • USA 559.438.5800 • FAX 559.438.5900 <a href="http://www.bklighting.com">www.bklighting.com</a> • <a href="mailto:info@bklighting.com">info@bklighting.com</a>	SUBMITTAL DATE	DRAWING NUMBER
		6-10-14	SUB-1505-00



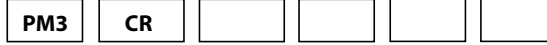
UNIVERSAL POWER MODULE  
**UPM**

Metal Halide

# PM3 JUNCTION BOX (CAMLOCK™)

PROJECT:	
TYPE:	
CATALOG NUMBER:	
SOURCE(S):	
NOTES:	

## CATALOG NUMBER LOGIC



Example

PM3 - CR - H150E - 1 - 120 -

Series

**PM3** - Universal Power Module™ 3  
(specify fixture separately)

Mounting

**CR** - Round CamLock™

Ballast Type

**H35E** - 35W Electronic Metal Halide Ballast  
**H70E** - 70W Electronic Metal Halide Ballast  
**H100E** - 100W Electronic Metal Halide Ballast  
**H150E** - 150W Electronic Metal Halide Ballast\*  
*\*H150E available in 120 VAC or 277 VAC only*

Fixture Position

**1** - Offset  
**2** - Center

Input Voltage

**120** - 120 VAC Input\*  
**277** - 277 VAC Input\*  
**MT** - 120/208/240/277 Volt Multi Tap (Electronic Ballast)  
*\*H150E available in 120 VAC or 277 VAC only*

Options

**MB** - Mounting Brackets

## BALLAST ELECTRICAL DATA

BALLAST	TYPE	INPUT VOLTS	INPUT WATTS	INPUT CURRENT	CIRCUIT TYPE	MINIMUM START TEMPERATURE
H35E	Electronic	120	44	0.39	HPF	-5° F
H35E	Electronic	277	44	0.17	HPF	-5° F
H70E	Electronic	120	79	0.67	HPF	-5° F
H70E	Electronic	277	79	0.29	HPF	-5° F
H100E	Electronic	120	110	0.90	HPF	-5° F
H100E	Electronic	277	110	0.41	HPF	-5° F
H150E	Electronic	120	167	1.40	HPF	-22° F
H150E	Electronic	277	167	0.61	HPF	-22° F

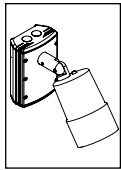
**B-K LIGHTING**

40429 Brickyard Drive • Madera, CA 93636 • USA  
 559.438.5800 • FAX 559.438.5900  
 www.bklighting.com • info@bklighting.com

SUBMITTAL DATE  
 6-10-14

DRAWING NUMBER  
 SUB-1420-00

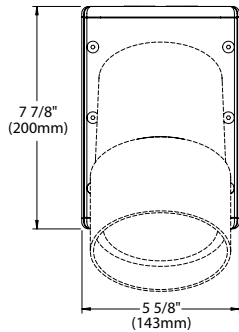
THIS DOCUMENT CONTAINS PROPRIETARY INFORMATION OF B-K LIGHTING, INC. AND ITS RECEIPT OR POSSESSION DOES NOT CONVEY ANY RIGHTS TO REPRODUCE, DISCLOSE ITS CONTENTS, OR TO MANUFACTURE, USE OR SELL ANYTHING IT MAY DESCRIBE. REPRODUCTION, DISCLOSURE OR USE WITHOUT SPECIFIC WRITTEN AUTHORIZATION OF B-K LIGHTING, INC. IS STRICTLY FORBIDDEN.



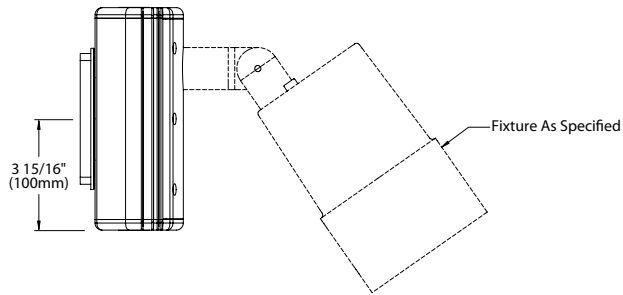
# PM3 JUNCTION BOX (CAMLOCK™)

PROJECT:	
TYPE:	

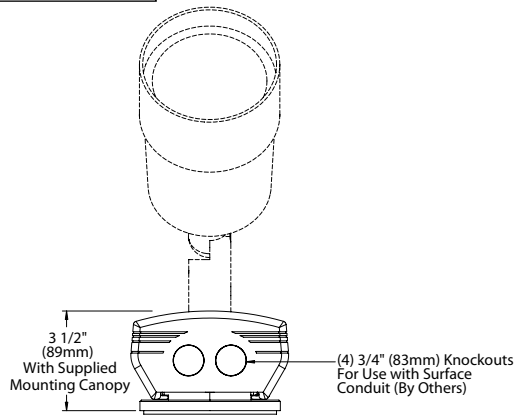
**TOP VIEW**



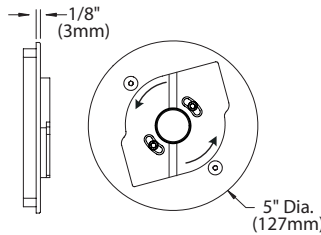
**SIDE VIEW**



**END VIEW**



**ROUND CAMLOCK™ CANOPY**



All dimensions indicated on this submittal are nominal. Contact Technical Sales if you require more stringent specifications.

## SPECIFICATIONS

### GreenSource Initiative™

Metal and packaging components are made from recycled materials. Manufactured using renewable solar energy, produced onsite. Returnable to manufacturer at end of life to ensure cradle-to-cradle handling. Packaging contains no chlorofluorocarbons (CFC's). Use of this product may qualify for GreenSource efficacy and recycling rebate(s). Consult [www.bklighting.com/greensource](http://www.bklighting.com/greensource) for program requirements.

### Installation

Universal design accommodates a single metal halide fixture (specified separately) and permits water-tight installation in four distinct mounting conditions:

### Round CamLock™ Canopy (Recessed Junction Box)

5" diameter, machined aluminum construction. Includes stainless steel universal mounting ring for use with 4" octagonal junction box. [2] tamper-resistant, black oxide stainless steel mounting screws. 1/8" thick HT-805A silicone foam gasket for water-tight seal. Integral CamLock™ provides additional 30° adjustment for precision alignment of UPM regardless of junction box orientation. Integral wiper seal maintains water-tight integrity between UPM and junction box.

### Housing

Copper free, aluminum extrusion with die cast end caps. Surface mounted with flow through back channel to prevent water and debris collection. Machined aluminum cover with countersunk holes for flush hardware installation. Specify offset or center fixture position. Tamper-resistant, captive, black oxide stainless steel mounting screws. Front access for ease of installation and inspection. [2] 1/2" NPT female conduit entries per end cap for through wiring.

### Installation Tether

Stainless steel cable with integral loop allows cover to temporarily suspend from housing during installation to simplify wire connection and component attachment.

### Patented Knockouts

[4] 3/4" NPT, machined aluminum knockouts. High temperature, silicone 'O' Ring for water-tight seal. Patented design allows knockout to be reinserted without compromising seal integrity.

### Ballast

[1] 35-150 watt, integral, high power factor, electronic metal halide ballast. Multi-Tap (120/208/240/277V) primary voltage 50/60Hz. H150E available in 120V, or 277V primary voltage. 50/60Hz.

### Finish

StarGuard®, our exclusive RoHS compliant, 15 stage chromate-free process cleans and conversion coats aluminum components prior to application of Class 'A' TGIC polyester powder coating. Finish to match fixtures. (specified separately).

### Warranty

5 year limited warranty.

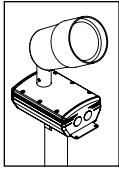
### Listings

NEMA 4X / IP-66 Rated Enclosure. UL Listed. Certified to CAN/CSA/ANSI Standards. RoHS compliant. Made in USA.



<b>B-K LIGHTING</b>	40429 Brickyard Drive • Madera, CA 93636 • USA 559.438.5800 • FAX 559.438.5900 <a href="http://www.bklighting.com">www.bklighting.com</a> • <a href="mailto:info@bklighting.com">info@bklighting.com</a>	SUBMITTAL DATE	DRAWING NUMBER
		6-10-14	SUB-1420-00



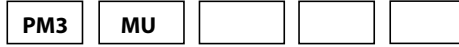


Metal Halide

# PM3 MONUMENT (POWER PIPE™)

PROJECT:	
TYPE:	
CATALOG NUMBER:	
SOURCE(S):	
NOTES:	

## CATALOG NUMBER LOGIC



Example

PM3 - MU - H70E - 1 - MT

Series

**PM3** - Universal Power Module™ 3  
(specify fixture separately)

Mounting

**MU** - Monument Mount UPM with 18" Power Pipe™

Ballast Type

- H35E** - 35W Electronic Metal Halide Ballast
  - H70E** - 70W Electronic Metal Halide Ballast
  - H100E** - 100W Electronic Metal Halide Ballast
  - H150E** - 150W Electronic Metal Halide Ballast\*
- \*H150E available in 120 VAC or 277 VAC only*

Fixture Position

- 1** - Offset
- 2** - Center

Input Voltage

- 120** - 120 VAC Input\*
  - 277** - 277 VAC Input\*
  - MT** - 120/208/240/277 Volt Multi Tap
- \*H150E available in 120 VAC or 277 VAC only*

## BALLAST ELECTRICAL DATA

BALLAST	TYPE	INPUT VOLTS	INPUT WATTS	INPUT CURRENT	CIRCUIT TYPE	MINIMUM START TEMPERATURE
H35E	Electronic	120	44	0.39	HPF	-5° F
H35E	Electronic	277	44	0.17	HPF	-5° F
H70E	Electronic	120	79	0.67	HPF	-5° F
H70E	Electronic	277	79	0.29	HPF	-5° F
H100E	Electronic	120	110	0.90	HPF	-5° F
H100E	Electronic	277	110	0.41	HPF	-5° F
H150E	Electronic	120	167	1.40	HPF	-22° F
H150E	Electronic	277	167	0.61	HPF	-22° F

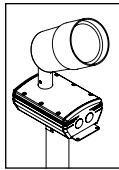
# B-K LIGHTING

40429 Brickyard Drive • Madera, CA 93636 • USA  
559.438.5800 • FAX 559.438.5900  
www.bklighting.com • info@bklighting.com

SUBMITTAL DATE  
6-10-14

DRAWING NUMBER  
SUB-1422-00

THIS DOCUMENT CONTAINS PROPRIETARY INFORMATION OF B-K LIGHTING, INC. AND ITS RECEIPT OR POSSESSION DOES NOT CONVEY ANY RIGHTS TO REPRODUCE, DISCLOSE ITS CONTENTS, OR TO MANUFACTURE, USE OR SELL ANYTHING IT MAY DESCRIBE. REPRODUCTION, DISCLOSURE OR USE WITHOUT SPECIFIC WRITTEN AUTHORIZATION OF B-K LIGHTING, INC. IS STRICTLY FORBIDDEN.



UNIVERSAL POWER MODULE  
**UPM**

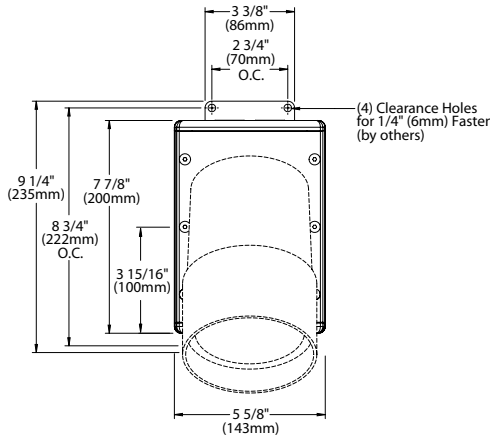
Metal Halide

# PM3 MONUMENT (POWER PIPE™)

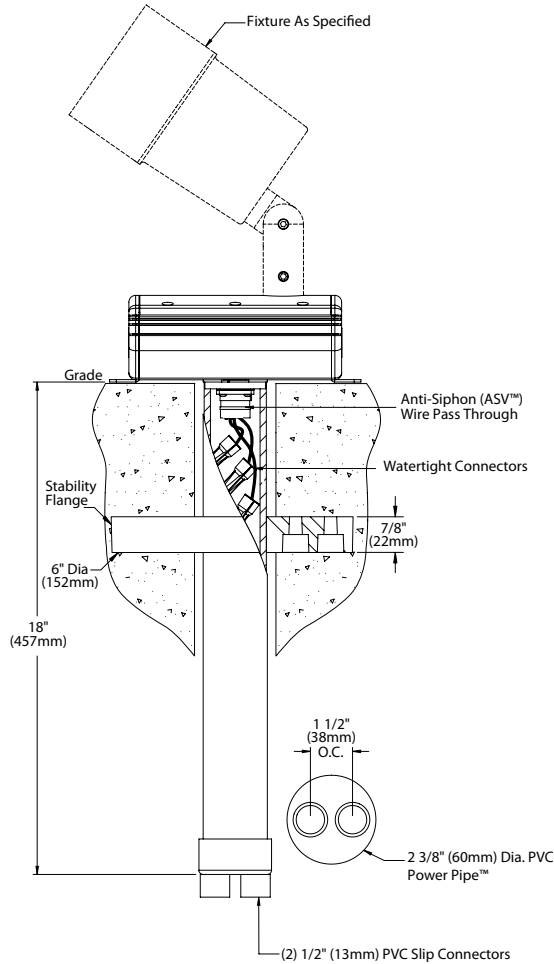
PROJECT:

TYPE:

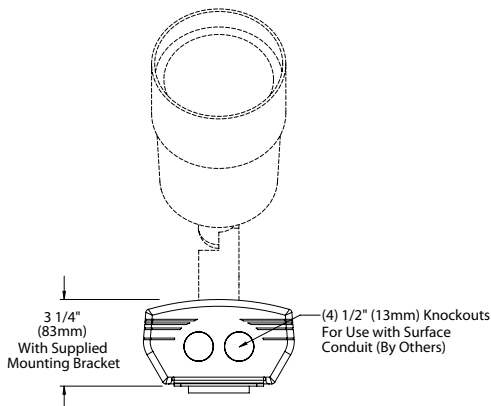
TOP VIEW



SIDE VIEW



END VIEW



All dimensions indicated on this submittal are nominal.  
Contact Technical Sales if you require more stringent specifications.

## SPECIFICATIONS

### GreenSource Initiative™

Metal and packaging components are made from recycled materials. Manufactured using renewable solar energy, produced onsite. Returnable to manufacturer at end of life to ensure cradle-to-cradle handling. Packaging contains no chlorofluorocarbons (CFC's). Use of this product may qualify for GreenSource efficacy and recycling rebate(s). Consult [www.bklighting.com/greensource](http://www.bklighting.com/greensource) for program requirements.

### Installation

Universal design accommodates a single metal halide fixture (specified separately) and permits water-tight installation in four distinct mounting conditions:

### Ground / Monument Installation

For use at grade level with integration of Power Pipe™ System, which provides direct burial wireway into concrete or soil. 6" dia., molded stability flange projects into substrate to simplify installation and reinforce housing stability. [2] 1/2" PVC slip connectors for through wiring. Includes stainless steel mounting brackets for additional anchor to architectural surface. Anti-Siphon Valve (ASV™) prevents "wicking" through conductor insulation. [3] Silicone filled wire nuts supplied for water-tight line connection. Maximum (2) #10 & (1) #18. Minimum (1) #12 & (1) #18.

### Housing

Copper free, aluminum extrusion with die cast end caps. Surface mounted with flow through back channel to prevent water and debris collection. Machined aluminum cover with countersunk holes for flush hardware installation. Specify offset or center fixture position. Tamper-resistant, captive, black oxide stainless steel mounting screws. Front access for ease of installation and inspection. [2] 1/2" NPT female conduit entries per end cap for through wiring.

### Installation Tether

Stainless steel cable with integral loop allows cover to temporarily suspend from housing during installation to simplify wire connection and component attachment.

### Patented Knockouts

[4] 3/4" NPT, machined aluminum knockouts. High temperature, silicone 'O' Ring for water-tight seal. Patented design allows knockout to be reinserted without compromising seal integrity.

### Ballast

[1] 35-150 watt, integral, high power factor, electronic metal halide ballast. Multi-Tap (120/208/240/277V) primary voltage 50/60Hz. H150E available in 120V, or 277V primary voltage. 50/60Hz.

### Finish

StarGuard®, our exclusive RoHs compliant, 15 stage chromate-free process cleans and conversion coats aluminum components prior to application of Class 'A' TGIC polyester powder coating. Finish to match fixtures. (specified separately).

### Warranty

5 year limited warranty.

### Listings

NEMA 4X / IP-66 Rated Enclosure. UL Listed. Certified to CAN/CSA/ANSI Standards. RoHs compliant. Made in USA.



**B-K LIGHTING**

40429 Brickyard Drive • Madera, CA 93636 • USA  
559.438.5800 • FAX 559.438.5900  
[www.bklighting.com](http://www.bklighting.com) • [info@bklighting.com](mailto:info@bklighting.com)

SUBMITTAL DATE  
6-10-14

DRAWING NUMBER  
SUB-1422-00