

the power of 

MINI-MICRO™ STAFF STAR STYLE B

PROJECT:	
TYPE:	
CATALOG NUMBER:	
SOURCE:	
NOTES:	

CATALOG NUMBER LOGIC

SF 24 B MM LED e70 SP BZP 12 11 A

Example:

Series **SF** - Staff Star™ Pathlight

Stem Length **24**
24", 30", 36", 42", 48", *54", *60", *66", or *72"
(Specify in inches) *For use with Standard Anchor Base Only

Style **B** - 180° Radius

Fixture **MM** - Mini-Micro™

Source **LED** - 'e' Technology with Integral Driver
Designed for use with remote 12VAC BKSSL* transformers.

LED Type
e70 - 3WLED/2.7K **e72** - 3WLED/4K
e71 - 3WLED/3K **e73** - 3WLED/Amber

Optics
NSP - Narrow Spot (Red Indicator) **SP** - Spot (Green Indicator) **MFL** - Medium Flood (Yellow indicator) **ASY** - Asymmetrical (Purple Indicator)

Finish

Aluminum Finish			Premium Finish		
Powder Coat Color	Satin	Wrinkle	ABP	CMG	RMG
Bronze	BZP	BZW	Antique Brass Powder	Cascade Mountain Granite	Rocky Mountain Granite
Black	BLP	BLW	Aleutian Mountain Granite	Cracked Ice	Sonoran Desert Sandstone
White (Gloss)	WHP	WHW	Antique White	Cream	Sierra Mountain Granite
Aluminum	SAP	—	Black Chrome	Hunter Green	Textured Forest
Verde	—	VER	Beige	Mojave Desert Sandstone	Weathered Copper
			Brown Patina Powder	Natural Brass Powder	Weathered Iron
			Clear Anodized Powder	Old Copper	<i>Also available in RAL Finishes See submittal SUB-1439-00</i>

Lens Type **12** - Soft Focus Lens **13** - Rectilinear Lens

Shielding **11** - Honeycomb Baffle

Cap Style
A - 45° **B** - 90° **C** - Flush **D** - 45° less Weep Hole (Interior Use Only) **E** - 90° less Weep Hole (Interior Use Only)

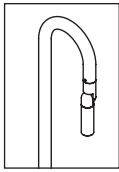
Options
Blank - Anchor Base (Standard, for use with remote transformer)
PP18B - 18" Power Pipe™ stake with 'B' Cap (for use with remote transformer)**
PP-TR20 - Power Pipe™ "T" option with 18" stake and TR20 Electronic Transformer** (105-300 VAC, 50/60 Hz, Non-Dimming)

DRIVER DATA	Input Volts	InRush Current	Operation Ambient Temperature
	12VAC/DC 50/60Hz	10A Max	-10°F-130°F

LM79 DATA				L70 DATA		*OPTICAL DATA			
BK No.	CCT (Typ.)	Input Watts (Typ.)	CRI	Minimum Rated Life (hrs.) 70% of initial lumens (L70)		Beam Type	Angle	CBCP	Visual Indicator
e70	2700K	3	80	50,000		NSP-Narrow Spot	17°	1585	Red Indicator
e71	3000K	3	80	50,000		SP-Spot	21°	781	Green Indicator
e72	4000K	3	80	50,000		MFL-Medium Flood	28°	616	Yellow Indicator
e73	Amber (590nm)	3	~	50,000		ASY-Asymmetrical	17°x31°	721	Purple Indicator

B-K LIGHTING	40429 Brickyard Drive • Madera, CA 93636 • USA 559.438.5800 • FAX 559.438.5900 www.bklighting.com • info@bklighting.com	RELEASED 07-25-16	DRAWING NUMBER SUB-2344-00

THIS DOCUMENT CONTAINS PROPRIETARY INFORMATION OF B-K LIGHTING, INC. AND ITS RECEIPT OR POSSESSION DOES NOT CONVEY ANY RIGHTS TO REPRODUCE, DISCLOSE ITS CONTENTS, OR TO MANUFACTURE, USE OR SELL ANYTHING IT MAY DESCRIBE. REPRODUCTION, DISCLOSURE OR USE WITHOUT SPECIFIC WRITTEN AUTHORIZATION OF B-K LIGHTING, INC. IS STRICTLY FORBIDDEN.

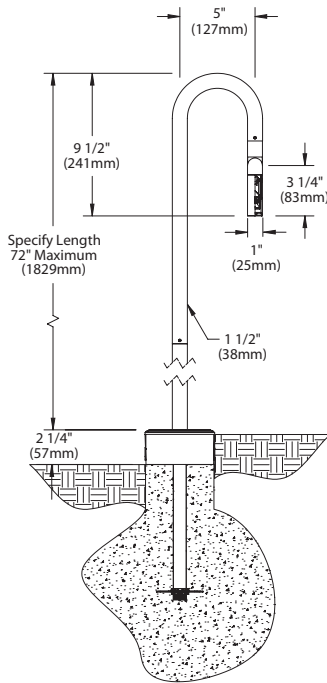


the power of 

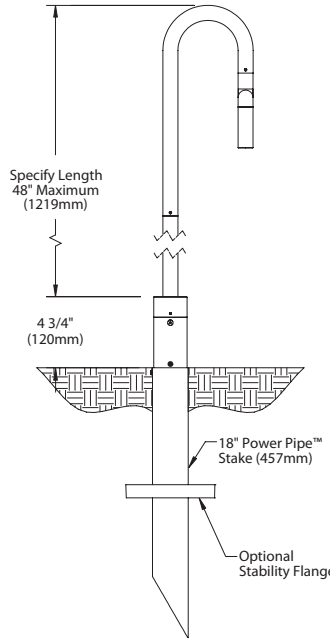
MINI-MICRO™ STAFF STAR STYLE B

PROJECT:	
TYPE:	

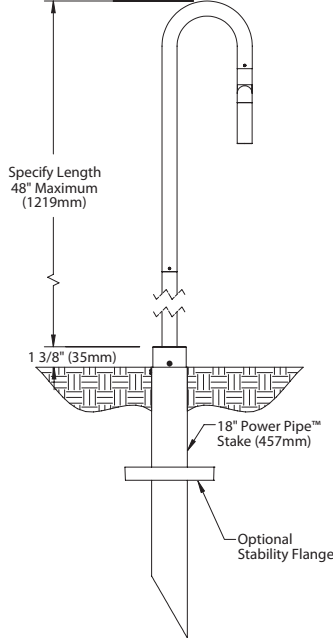
ANCHOR BASE



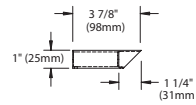
POWER PIPE 'T' (Mounting Option)



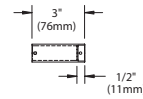
POWER PIPE™ (Mounting Option)



"A/D" CAP



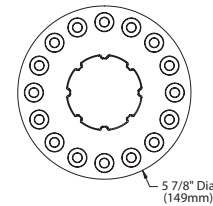
"B/E" CAP



"C" CAP



STABILITY FLANGE (optional)



All dimensions indicated on this submittal are nominal. Contact Technical Sales if you require more stringent specifications.

SPECIFICATIONS

GreenSource Initiative™

Metal and packaging components are made from recycled materials. Manufactured using renewable solar energy, produced on site. Returnable to manufacturer at end of life to ensure cradle-to-cradle handling. Packaging contains no chlorofluorocarbons (CFC's). Use of this product may qualify for GreenSource efficacy and recycling rebate(s). Consult www.bklighting.com/greensource for program requirements.

Style

'B' Style provides single bend 180° radius from fixture to stem.

Materials

Furnished in Copper-Free Aluminum (Type 6061-T6).

Body

Fully machined from solid billet. Unibody design provides enclosed, water-proof wireway and integral heat sink for maximum component life. Integral knuckle for maximum mechanical strength. High temperature, silicone 'O' Ring provides water-tight seal.

Knuckle

The LOCK™ (Locking 'O' Ring Compression Knuckle) is comprised of two components. The first is integral to the body and features an interior, machined taper. The second is machined from solid billet and features a second, reverse angle taper. The resultant mechanical taper-lock allows a full 180° vertical adjustment without the use of serrated teeth, which inherently limit aiming. High temperature, silicone 'O' Ring provides water-tight seal and compressive resistance to maintain fixture position. Design withstands 73 lb. static load prior to movement to ensure decades of optical alignment. Biaxial source control with 360° horizontal rotation in addition to vertical adjustment.

Cap

Fully machined. Accommodates [1] lens or louver media. Choose from 45° cutoff ('A' or 'D'), 3/8" deep bezel with 90° cutoff ('B' or 'E'), or flush lens ('C') cap styles. 'A' and 'B' caps include weep-hole for water and debris drainage. 'D' and 'E' caps exclude weep-hole and are for interior use only.

Stem

Fully machined, 1" dia. with internal threads for maximum visual appeal. Available in configurable lengths to 72" maximum overall (with Anchor Base) and 48" maximum overall (with Power Pipe™).

Lens

Shock resistant, tempered, glass lens is factory adhered to fixture cap and provides hermetically sealed optical compartment. Specify soft focus (#12) or rectilinear (#13) lens.

BKSSL®

Integrated solid state system with 'e' technology. High power, forward throw source complies with ANSI C78.377 binning requirements. Exceeds ENERGY STAR® lumen maintenance requirements. LM-80 certified components.

Integral non-dimming driver. Minimum 50,000 hour rated life at 70% of initial lumens (L70). BKSSL® technology provides long life, significant energy reduction and exceptional thermal management.

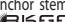
Optics

OPTIKIT™ modules are color-coded for easy reference: Narrow Spot (NSP) = Red, Spot (SP) = Green, Medium Flood (MFL) = Yellow and Asymmetrical (ASY) = Purple.


Installation

Available for installation in three distinct mounting conditions:

Anchor Base (Standard)

Cast aluminum junction box with pass-through cover. 10" galvanized anchor stem for installation into soil or concrete. For use with 12VAC  remote transformer or magnetic transformers only. B-K Lighting cannot guarantee performance with third party manufacturers' transformers.

Power Pipe™ (Optional)

Provides a clean transition from wiring system to fixture. Schedule 80, 18" PVC housing for direct burial into soil or concrete. Machined 2-1/4" dia. cap for fixture mounting. Stainless steel hardware. Optional 6" diameter, molded stability flange, which simplifies installation and projects into substrate to reinforce housing stability. For use with 12VAC  remote transformer or magnetic transformers only. B-K Lighting cannot guarantee performance with third party manufacturers' transformers.

Power Pipe™ with Transformer Housing (Optional)

Additionally features integral transformer housing fully machined from copper-free aluminum. High temperature, silicone 'O' Ring provides water-tight seal. Integral, TRe20 electronic transformer. 105-300VAC primary voltage. 50/60Hz. Non Dimming. 20VA maximum load.

Wiring

PVC coated, 18AWG, 150V, 60°C rated and certified to UL 1838 standard.

Hardware

Tamper-resistant, stainless steel hardware. LOCK™ aiming screw screw is additionally black oxide treated for additional corrosion resistance.

Finish

StarGuard®, our exclusive RoHS compliant, 15 stage chromate-free process cleans and conversion coats aluminum components prior to application of Class 'A' TGIC polyester powder coating.

Warranty

5 year limited warranty.

Certification and Listing

ITL tested to IESNA LM-79. UL Listed. Certified to CAN/CSA/ANSI Standards. RoHS compliant. Suitable for indoor or outdoor use. Suitable for use in wet locations. Suitable for installation within 4' of the ground. IP66 Rated. Made in USA.



*Energy Star is a registered trademark of the United States Environmental Protection Agency.