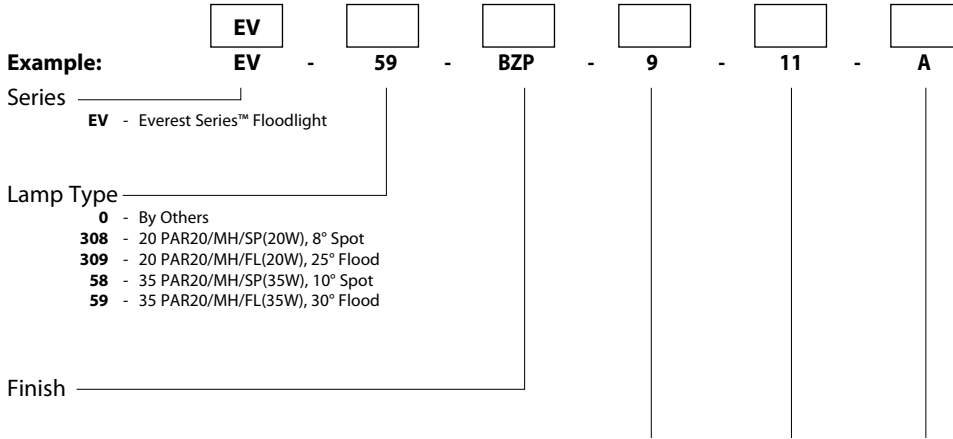


Par 20 Metal Halide

EVEREST SERIES™ FLOODLIGHT

PROJECT:	
TYPE:	
CATALOG NUMBER:	
SOURCE:	
NOTES:	

CATALOG NUMBER LOGIC



Configure Ballast Housing Separately Ballast Housing Required
INTEGRAL BALLAST HOUSINGS: HP2 - HP2 Housing PM2 - Universal Power Module 2 PM2D - Universal Power Module 2 Dual PC - Power Canopy PCIII - Power Canopy III PPII - Power Pipe II TMB - Pole Mount or Tenon Mount
REMOTE BALLAST HOUSINGS: HP2RM - HP2 Remote Housing PM2RM - Universal Power Module 2 Remote PM2DRM - Universal Power Module 2 Dual Remote RM - Remote Wall Mount DRM - Dual Remote Wall Mount

Standard Finish		
Powder Coat Color	Satin	Wrinkle
Bronze	BZP	BZW
Black	BLP	BLW
White (Gloss)	WHP	WHW
Aluminum	SAP	—
Verde	—	VER

Premium Finish		
ABP Antique Brass Powder	CMG Cascade Mountain Granite	RMG Rocky Mountain Granite
AMG Aleutian Mountain Granite	CRI Cracked Ice	SDS Sonoran Desert Sandstone
AQW Antique White	CRM Cream	SMG Sierra Mountain Granite
BCM Black Chrome	HUG Hunter Green	TXF Textured Forest
BGE Beige	MDS Mojave Desert Sandstone	WCP Weathered Copper
BPP Brown Patina Powder	NBP Natural Brass Powder	WIR Weathered Iron
CAP Clear Anodized Powder	OCP Old Copper	<i>Also available in RAL Finishes See submittal SUB-1439-00</i>

Lens Type **9** - Clear (Standard) **10** - Spread Lens* **12** - Soft Focus Lens* **13** - Rectilinear Lens*

Shielding **11** - Honeycomb Baffle*
*Accommodates up to 2 Lens/Shielding media

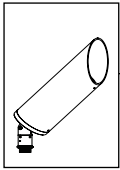
Cap Style **A** - 45° **B** - 90° **C** - Flush **D** - 45° without Weep Hole (Interior Use Only) **E** - 90° without Weep Hole (Interior Use Only)

SOURCE DATA

BK No.	Lamp Watts	Description	Rated Life	Center Beam Candlepower	Beam Angle	Beam Type	CRI	CCT(K)
308	20	20PAR20/MH/SP	7,500	13,000	8°	Spot	81	3000
309	20	20PAR20/MH/FL	7,500	3,750	25°	Flood	81	3000
58	35	35PAR20/MH/SP	9,000	23,000	10°	Spot	81	3000
59	35	35PAR20/MH/FL	9,000	5,000	30°	Flood	81	3000

B-K LIGHTING	40429 Brickyard Drive • Madera, CA 93636 • USA 559.438.5800 • FAX 559.438.5900 www.bklighting.com • info@bklighting.com	SUBMITTAL DATE	DRAWING NUMBER
		2-4-14	SUB001211

THIS DOCUMENT CONTAINS PROPRIETARY INFORMATION OF B-K LIGHTING, INC. AND ITS RECEIPT OR POSSESSION DOES NOT CONVEY ANY RIGHTS TO REPRODUCE, DISCLOSE ITS CONTENTS, OR TO MANUFACTURE, USE OR SELL ANYTHING IT MAY DESCRIBE. REPRODUCTION, DISCLOSURE OR USE WITHOUT SPECIFIC WRITTEN AUTHORIZATION OF B-K LIGHTING, INC. IS STRICTLY FORBIDDEN.



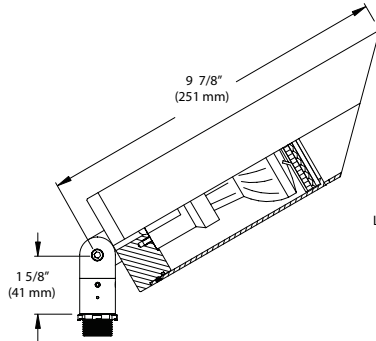
Par 20 Metal Halide

EVEREST SERIES™ FLOODLIGHT

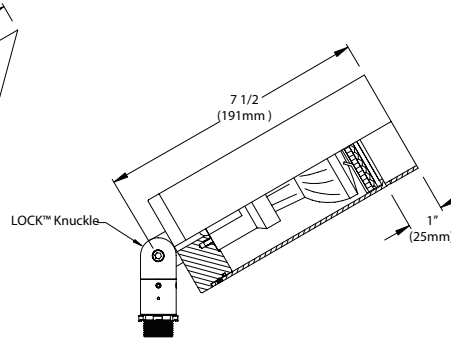
PROJECT:

TYPE:

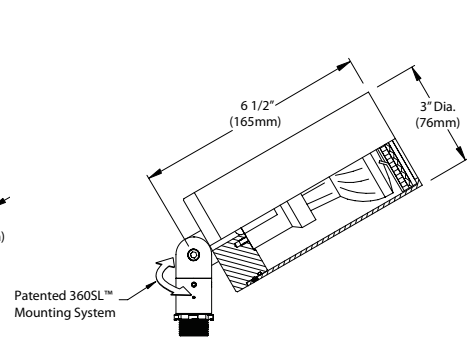
"A/D" CAP



"B/E" CAP



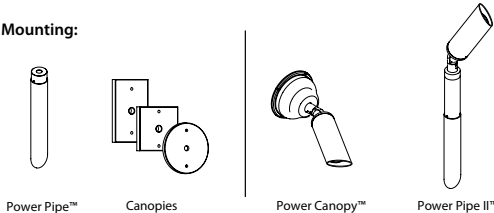
"C" CAP



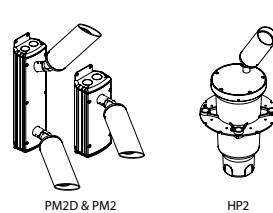
All dimensions indicated on this submittal are nominal. Contact Technical Sales if you require more stringent specifications.

Accessories (Configure separately)

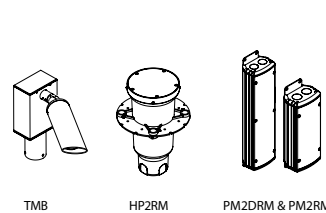
Mounting:



Power Pipe™ Canopies Power Canopy™ Power Pipe II™

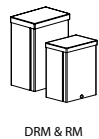


PM2D & PM2 HP2



TMB HP2RM PM2DRM & PM2RM

Ballasts:



DRM & RM

SPECIFICATIONS

GreenSource Initiative™

Metal and packaging components are made from recycled materials. Manufactured using renewable solar energy, produced onsite. Returnable to manufacturer at end of life to ensure cradle-to-cradle handling. Packaging contains no chlorofluorocarbons (CFC's). Use of this product may qualify for GreenSource efficacy and recycling rebate(s). Consult www.bklighting.com/greensource for program requirements.

Materials

Furnished in Copper-Free Aluminum (Type 6061-T6).

Body

Fully machined. Unibody design provides enclosed, water-proof wireway and integral heat sink for maximum component life. Integral knuckle for maximum mechanical strength. High temperature, silicone 'O' Ring provides water-tight seal.

Knuckle

The LOCK™ (Locking 'O' Ring Compression Knuckle) is comprised of two components. The first is integral to the body and features an interior, machined taper. The second is machined from solid billet and features a second, reverse angle taper. The resultant mechanical taper-lock allows a full 180° vertical adjustment without the use of serrated teeth, which inherently limit aiming. High temperature, silicone 'O' Ring provides water-tight seal and compressive resistance to maintain fixture position. Design withstands 73 lb. static load prior to movement to ensure decades of optical alignment. 1/2" pipe thread for mounting.

360SL™ Knuckle Mounting System additionally provides biaxial source control with 360° horizontal rotation in addition to vertical adjustment.

Cap

Fully machined. Accommodates [2] lens or louver media. Choose from 45° cutoff ('A' or 'D'), 1" deep bezel with 90° cutoff ('B' or 'E') or flush lens ('C') cap styles. 'A' and 'B' caps include weep-hole for water and debris drainage. 'D' and 'E' caps exclude weep-hole and are for interior use only.

Lens

Shock resistant, tempered, glass lens is factory adhered to fixture cap and provides hermetically sealed optical compartment.

Source

For use with 35 watt maximum, Par20 MH lamp.

Ballast

For use with remote metal halide ballast. See ballast technical data to determine lamp-to-ballast distance and wiring requirements prior to detailing field installation of any remote wiring.

Socket

Specification grade ceramic body lamp holder rated for 4kV starting pulse. Medium base, nickel-plated copper alloy lamp grip and screw shell. Corrosion resistant coil spring under center contact.

Wiring

Teflon® coated wire, 18AWG, 600V, 250° C rated and certified to UL 1659 standard. Leads extended 6" beyond knuckle.

Hardware

Tamper-resistant, stainless steel hardware. LOCK™ vertical aiming screw and 360SL™ hardware are additionally black oxide treated for additional corrosion resistance.

Finish

StarGuard®, our exclusive RoHs compliant, 15 stage chromate-free process cleans and conversion coats aluminum components prior to application of Class 'A' TGIC polyester powder coating.

Warranty

5 year limited warranty.

Certification and Listing

UL Listed. Certified to CAN/CSA/ANSI Standards. RoHs compliant. Suitable for indoor or outdoor use. Suitable for use in wet locations. Additionally suitable for installation within 4' of the ground. IP66 Rated. Made in USA.



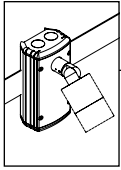
*Teflon is a registered trademark of DuPont Corporation.

B-K LIGHTING

40429 Brickyard Drive • Madera, CA 93636 • USA
559.438.5800 • FAX 559.438.5900
www.bklighting.com • info@bklighting.com

SUBMITTAL DATE
1-31-14

DRAWING NUMBER
SUB001211



Metal Halide

PM2 TREE STRAP™

PROJECT:	
TYPE:	
CATALOG NUMBER:	
SOURCE(S):	
NOTES:	

CATALOG NUMBER LOGIC



Example

PM2 - TS-18 - H20E - MT - SC

Series

PM2 - Universal Power Module™ 2
(specify fixture separately)

Mounting

TS - Length - Tree Strap™ (Specify Adjustable Strap Length)
Minimum 3" Adjustable Strap (Standard)

Ballast Type

H20E - 20W Electronic Metal Halide Ballast
H35E - 35W Electronic Metal Halide Ballast

Input Voltage

MT - 120/208/240/277 Volt Multi Tap (Electronic Ballast)

Options

SC - Safety Cable. For use with Tree Strap™ (TS) mount. Cable length to match strap length.
MB - Mounting Brackets

BALLAST ELECTRICAL DATA

BALLAST	TYPE	INPUT VOLTS	INPUT WATTS	INPUT CURRENT	CIRCUIT TYPE	MINIMUM START TEMPERATURE
H20E	Electronic	120	22	.20	HPF	-5° F
H20E	Electronic	277	22	.09	HPF	-5° F
H35E	Electronic	120	44	0.39	HPF	-5° F
H35E	Electronic	277	44	0.17	HPF	-5° F

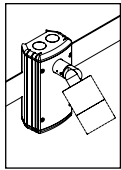
B-K LIGHTING

40429 Brickyard Drive • Madera, CA 93636 • USA
559.438.5800 • FAX 559.438.5900
www.bklighting.com • info@bklighting.com

SUBMITTAL DATE
6-10-14

DRAWING NUMBER
SUB-1501-00

THIS DOCUMENT CONTAINS PROPRIETARY INFORMATION OF B-K LIGHTING, INC. AND ITS RECEIPT OR POSSESSION DOES NOT CONVEY ANY RIGHTS TO REPRODUCE, DISCLOSE ITS CONTENTS, OR TO MANUFACTURE, USE OR SELL ANYTHING IT MAY DESCRIBE. REPRODUCTION, DISCLOSURE OR USE WITHOUT SPECIFIC WRITTEN AUTHORIZATION OF B-K LIGHTING, INC. IS STRICTLY FORBIDDEN.



UNIVERSAL POWER MODULE
UPM

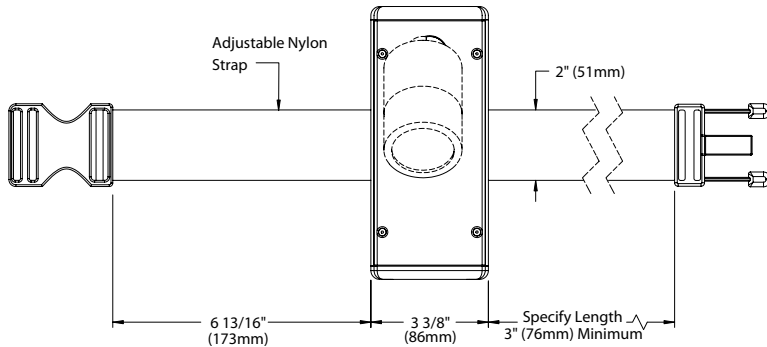
Metal Halide

PM2 TREE STRAP™

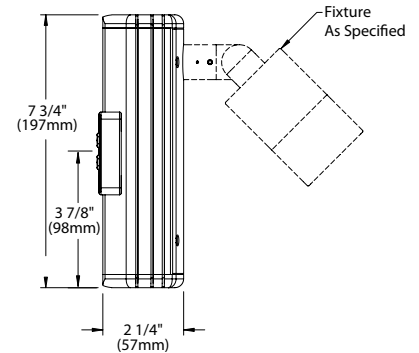
PROJECT:

TYPE:

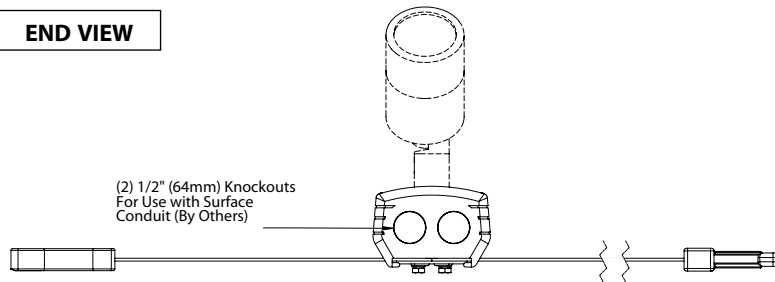
FRONT VIEW



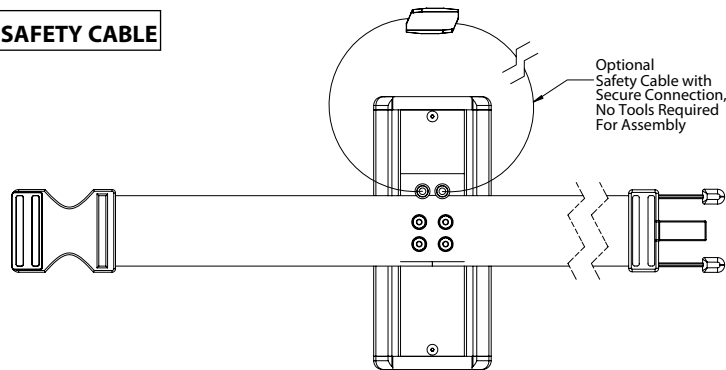
SIDE VIEW



END VIEW



SAFETY CABLE



All dimensions indicated on this submittal are nominal. Contact Technical Sales if you require more stringent specifications.

SPECIFICATIONS

GreenSource Initiative™

Metal and packaging components are made from recycled materials. Manufactured using renewable solar energy, produced onsite. Returnable to manufacturer at end of life to ensure cradle-to-cradle handling. Packaging contains no chlorofluorocarbons (CFC's). Use of this product may qualify for GreenSource efficacy and recycling rebate(s). Consult www.bklighting.com/greensource for program requirements.

Installation

Universal design accommodates a single metal halide fixture (specified separately) and permits water-tight installation in four distinct mounting conditions.

Tree Installation

Tree Strap™ mounting system facilitates non-invasive installation. Adjustable nylon strap is mold and mildew resistant and will not hinder tree growth. Optional stainless steel safety cable maintains UPM mounting when nylon strap is disengaged.

Housing

Copper free, aluminum extrusion with die cast end caps. Surface mounted with flow through back channel to prevent water and debris collection. Machined aluminum cover with countersunk holes for flush hardware installation. Tamper-resistant, captive, black oxide stainless steel mounting screws. Front access for ease of installation and inspection. [2] 1/2" NPT female conduit entries per end cap for through wiring.

Installation Tether

Stainless steel cable with integral loop allows cover to temporarily suspend from housing during installation to simplify wire connection and component attachment.

Patented Knockouts

[4] 1/2" NPT, machined aluminum knockouts. High temperature, silicone 'O' Ring for water-tight seal. Patented design allows knockout to be reinserted without compromising seal integrity.

Ballast

[1] 20-35 watt, integral, high power factor, electronic metal halide ballast. Multi-Tap (120/208/240/277V) primary voltage 50/60Hz.

Finish

StarGuard®, our exclusive RoHS compliant, 15 stage chromate-free process cleans and conversion coats aluminum components prior to application of Class 'A' TGIC polyester powder coating. Finish to match fixtures. (specified separately).

Warranty

5 year limited warranty.

Listings

NEMA 4X / IP-66 Rated Enclosure. UL Listed. Certified to CAN/CSA/ANSI Standards. RoHS compliant. Made in USA.

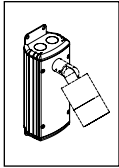


B-K LIGHTING

40429 Brickyard Drive • Madera, CA 93636 • USA
559.438.5800 • FAX 559.438.5900
www.bklighting.com • info@bklighting.com

SUBMITTAL DATE
6-10-14

DRAWING NUMBER
SUB-1501-00



UNIVERSAL POWER MODULE
UPM

Metal Halide

PM2 SURFACE MOUNT

PROJECT:	
TYPE:	
CATALOG NUMBER:	
SOURCE(S):	
NOTES:	

CATALOG NUMBER LOGIC



Example

PM2 - SM - H20E - MT

Series

PM2 - Universal Power Module™ 2
(specify fixture separately)

Mounting

SM - Surface Mount (requires side conduit entry)

Ballast Type

H20E - 20W Electronic Metal Halide Ballast
H35E - 35W Electronic Metal Halide Ballast

Input Voltage

MT - 120/208/240/277 Volt Multi Tap (Electronic Ballast)

BALLAST ELECTRICAL DATA

BALLAST	TYPE	INPUT VOLTS	INPUT WATTS	INPUT CURRENT	CIRCUIT TYPE	MINIMUM START TEMPERATURE
H20E	Electronic	120	22	.20	HPF	-5° F
H20E	Electronic	277	22	.09	HPF	-5° F
H35E	Electronic	120	44	0.39	HPF	-5° F
H35E	Electronic	277	44	0.17	HPF	-5° F

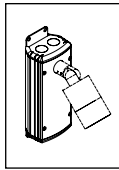
B-K LIGHTING

40429 Brickyard Drive • Madera, CA 93636 • USA
559.438.5800 • FAX 559.438.5900
www.bklighting.com • info@bklighting.com

SUBMITTAL DATE
6-10-14

DRAWING NUMBER
SUB-1503-00

THIS DOCUMENT CONTAINS PROPRIETARY INFORMATION OF B-K LIGHTING, INC. AND ITS RECEIPT OR POSSESSION DOES NOT CONVEY ANY RIGHTS TO REPRODUCE, DISCLOSE ITS CONTENTS, OR TO MANUFACTURE, USE OR SELL ANYTHING IT MAY DESCRIBE. REPRODUCTION, DISCLOSURE OR USE WITHOUT SPECIFIC WRITTEN AUTHORIZATION OF B-K LIGHTING, INC. IS STRICTLY FORBIDDEN.



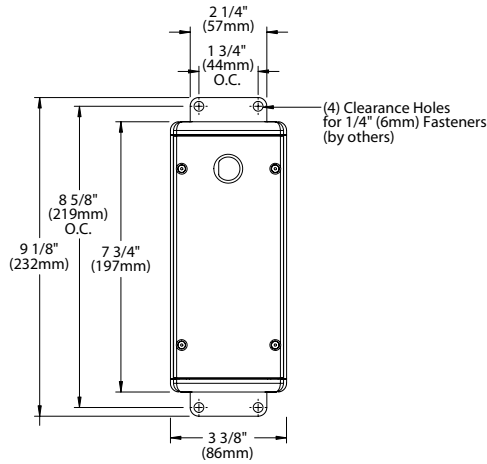
UNIVERSAL POWER MODULE
UPM

Metal Halide

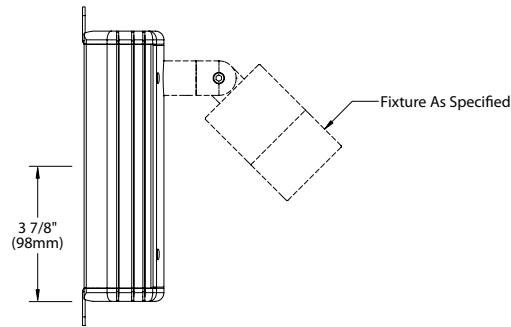
PM2 SURFACE MOUNT

PROJECT:	
TYPE:	

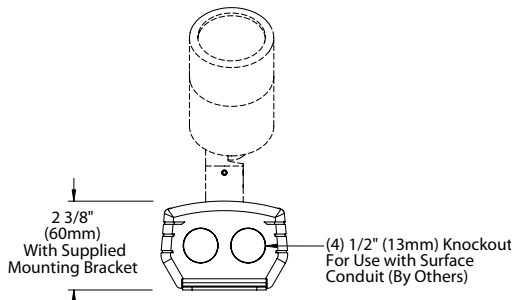
TOP VIEW



SIDE VIEW



END VIEW



All dimensions indicated on this submittal are nominal.
Contact Technical Sales if you require more stringent specifications.

SPECIFICATIONS

GreenSource Initiative™

Metal and packaging components are made from recycled materials. Manufactured using renewable solar energy, produced onsite. Returnable to manufacturer at end of life to ensure cradle-to-cradle handling. Packaging contains no chlorofluorocarbons (CFC's). Use of this product may qualify for GreenSource efficacy and recycling rebate(s). Consult www.bklighting.com/greensource for program requirements.

Installation

Universal design accommodates a single metal halide fixture (specified separately) and permits water-tight installation in four distinct mounting conditions.

Surface Mount

For use with side entry, surface conduits. Stainless steel mounting brackets provide for direct anchor to architectural surfaces in any orientation.

Housing

Copper free, aluminum extrusion with die cast end caps. Surface mounted with flow through back channel to prevent water and debris collection. Machined aluminum cover with countersunk holes for flush hardware installation. Tamper-resistant, captive, black oxide stainless steel mounting screws. Front access for ease of installation and inspection. [2] 1/2" NPT female conduit entries per end cap for through wiring.

Installation Tether

Stainless steel cable with integral loop allows cover to temporarily suspend from housing during installation to simplify wire connection and component attachment.

Patented Knockouts

[4] 1/2" NPT, machined aluminum knockouts. High temperature, silicone 'O' Ring for water-tight seal. Patented design allows knockout to be reinserted without compromising seal integrity.

Ballast

[1] 20-35 watt, integral, high power factor, electronic metal halide ballast. Multi-Tap (120/208/240/277V) primary voltage 50/60Hz.

Finish

StarGuard®, our exclusive RoHS compliant, 15 stage chromate-free process cleans and conversion coats aluminum components prior to application of Class 'A' TGIC polyester powder coating. Finish to match fixtures. (specified separately).

Warranty

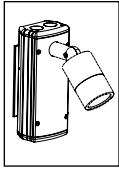
5 year limited warranty.

Listings

NEMA 4X / IP-66 Rated Enclosure. UL Listed. Certified to CAN/CSA/ANSI Standards. RoHS compliant. Made in USA.



B-K LIGHTING	40429 Brickyard Drive • Madera, CA 93636 • USA 559.438.5800 • FAX 559.438.5900 www.bklighting.com • info@bklighting.com	SUBMITTAL DATE	DRAWING NUMBER
		6-10-14	SUB-1503-00

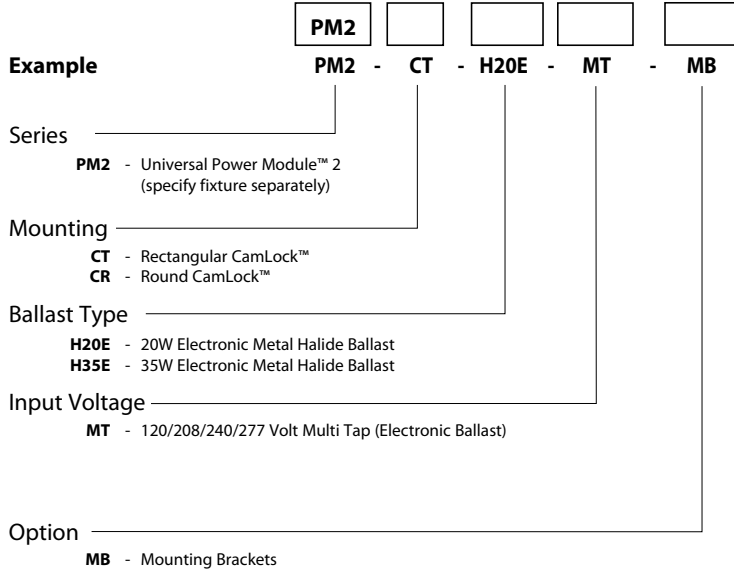


UNIVERSAL POWER MODULE
UPM
 Metal Halide

PM2 JUNCTION BOX (CAMLOCK™)

PROJECT:	
TYPE:	
CATALOG NUMBER:	
SOURCE(S):	
NOTES:	

CATALOG NUMBER LOGIC

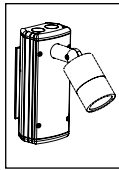


BALLAST ELECTRICAL DATA

BALLAST	TYPE	INPUT VOLTS	INPUT WATTS	INPUT CURRENT	CIRCUIT TYPE	MINIMUM START TEMPERATURE
H20E	Electronic	120	22	.20	HPF	-5° F
H20E	Electronic	277	22	.09	HPF	-5° F
H35E	Electronic	120	44	0.39	HPF	-5° F
H35E	Electronic	277	44	0.17	HPF	-5° F

B-K LIGHTING	40429 Brickyard Drive • Madera, CA 93636 • USA	SUBMITTAL DATE	DRAWING NUMBER
	559.438.5800 • FAX 559.438.5900 www.bklighting.com • info@bklighting.com	6-10-14	SUB-1502-00

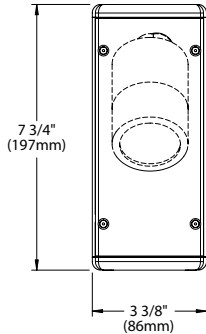
THIS DOCUMENT CONTAINS PROPRIETARY INFORMATION OF B-K LIGHTING, INC. AND ITS RECEIPT OR POSSESSION DOES NOT CONVEY ANY RIGHTS TO REPRODUCE, DISCLOSE ITS CONTENTS, OR TO MANUFACTURE, USE OR SELL ANYTHING IT MAY DESCRIBE. REPRODUCTION, DISCLOSURE OR USE WITHOUT SPECIFIC WRITTEN AUTHORIZATION OF B-K LIGHTING, INC. IS STRICTLY FORBIDDEN.



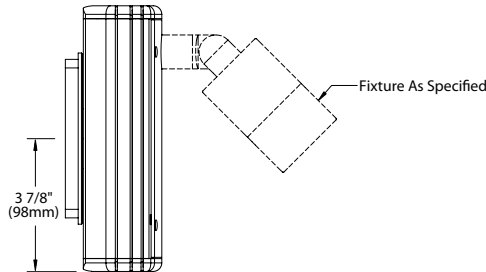
PM2 JUNCTION BOX (CAMLOCK™)

PROJECT:	
TYPE:	

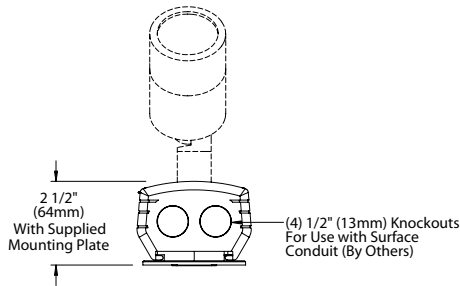
FRONT VIEW



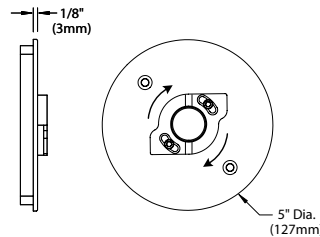
SIDE VIEW



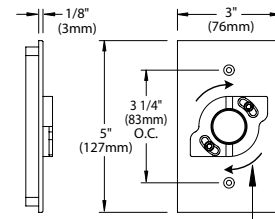
END VIEW



ROUND CAMLOCK™ CANOPY



RECTANGULAR CAMLOCK™ CANOPY



All dimensions indicated on this submittal are nominal. Contact Technical Sales if you require more stringent specifications.

SPECIFICATIONS

GreenSource Initiative™

Metal and packaging components are made from recycled materials. Manufactured using renewable solar energy, produced onsite. Returnable to manufacturer at end of life to ensure cradle-to-cradle handling. Packaging contains no chlorofluorocarbons (CFC's). Use of this product may qualify for GreenSource efficacy and recycling rebate(s). Consult www.bklighting.com/greensource for program requirements.

Installation

Universal design accommodates a single metal halide fixture (specified separately) and permits water-tight installation in four distinct mounting conditions.

Round CamLock™ Canopy (Recessed Junction Box)

5" diameter, machined aluminum construction. Includes stainless steel universal mounting ring for use with 4" octagonal junction box. [2] tamper-resistant, black oxide stainless steel mounting screws. 1/8" thick HT-805A silicone foam gasket for water-tight seal. Integral CamLock™ provides additional 30° adjustment for precision alignment of UPM regardless of junction box orientation. Integral wiper seal maintains water-tight integrity between UPM and junction box. Optional stainless steel mounting brackets may be specified to provide additional anchor to architectural surface.

Rectangular CamLock™ Canopy (Recessed Junction Box)

Machined aluminum, 3" x 5" rectangular canopy for use with single gang junction box. [2] tamper resistant, black oxide stainless steel mounting screws. 1/8" thick HT-805A silicone foam gasket for water-tight seal. Integral CamLock™ provides additional 30° adjustment for precision alignment of UPM regardless of junction box orientation. Integral wiper seal maintains water-tight integrity between UPM and junction box. Optional stainless steel mounting brackets may be specified to provide additional anchor to architectural surface.

Housing

Copper free, aluminum extrusion with die cast end caps. Surface mounted with flow through back channel to prevent water and debris collection. Machined aluminum cover with countersunk holes for flush hardware installation. Tamper-resistant, captive, black oxide stainless steel mounting screws. Front access for ease of installation and inspection. [2] 1/2" NPT female conduit entries per end cap for through wiring.

Installation Tether

Stainless steel cable with integral loop allows cover to temporarily suspend from housing during installation to simplify wire connection and component attachment.

Patented Knockouts

[4] 1/2" NPT, machined aluminum knockouts. High temperature, silicone 'O' Ring for water-tight seal. Patented design allows knockout to be reinserted without compromising seal integrity.

Ballast

[1] 20-35 watt, integral, high power factor, electronic metal halide ballast. Multi-Tap (120/208/240/277V) primary voltage 50/60Hz.

Finish

StarGuard®, our exclusive RoHs compliant, 15 stage chromate-free process cleans and conversion coats aluminum components prior to application of Class 'A' TGIC polyester powder coating. Finish to match fixtures. (specified separately).

Warranty

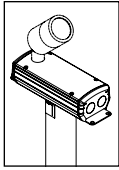
5 year limited warranty.

Listings

NEMA 4X / IP-66 Rated Enclosure. UL Listed. Certified to CAN/CSA/ANSI Standards. RoHs compliant. Made in USA.



B-K LIGHTING	40429 Brickyard Drive • Madera, CA 93636 • USA 559.438.5800 • FAX 559.438.5900 www.bklighting.com • info@bklighting.com	SUBMITTAL DATE	DRAWING NUMBER
		6-10-14	SUB-1502-00

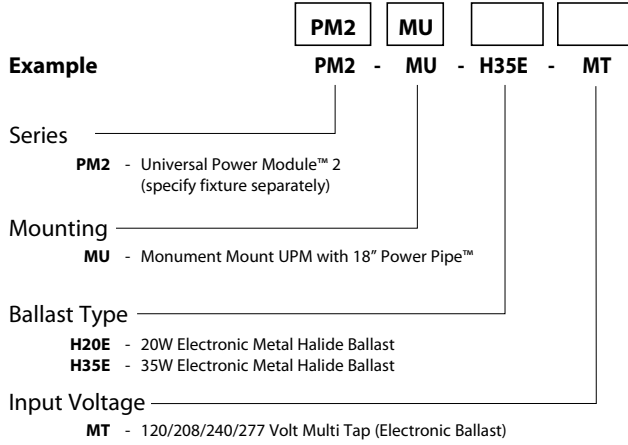


UNIVERSAL POWER MODULE
UPM
Metal Halide

PM2 MONUMENT (POWER PIPE™)

PROJECT:	
TYPE:	
CATALOG NUMBER:	
SOURCE(S):	
NOTES:	

CATALOG NUMBER LOGIC

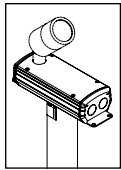


BALLAST ELECTRICAL DATA

BALLAST	TYPE	INPUT VOLTS	INPUT WATTS	INPUT CURRENT	CIRCUIT TYPE	MINIMUM START TEMPERATURE
H20E	Electronic	120	22	.20	HPF	-5° F
H20E	Electronic	277	22	.09	HPF	-5° F
H35E	Electronic	120	44	0.39	HPF	-5° F
H35E	Electronic	277	44	0.17	HPF	-5° F

B-K LIGHTING	40429 Brickyard Drive • Madera, CA 93636 • USA	SUBMITTAL DATE	DRAWING NUMBER
	559.438.5800 • FAX 559.438.5900 www.bklighting.com • info@bklighting.com	6-10-14	SUB-1504-00

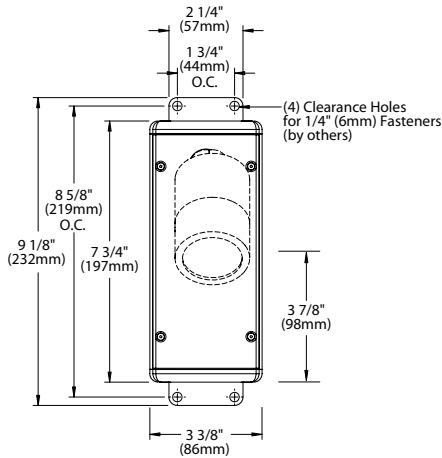
THIS DOCUMENT CONTAINS PROPRIETARY INFORMATION OF B-K LIGHTING, INC. AND ITS RECEIPT OR POSSESSION DOES NOT CONVEY ANY RIGHTS TO REPRODUCE, DISCLOSE ITS CONTENTS, OR TO MANUFACTURE, USE OR SELL ANYTHING IT MAY DESCRIBE. REPRODUCTION, DISCLOSURE OR USE WITHOUT SPECIFIC WRITTEN AUTHORIZATION OF B-K LIGHTING, INC. IS STRICTLY FORBIDDEN.



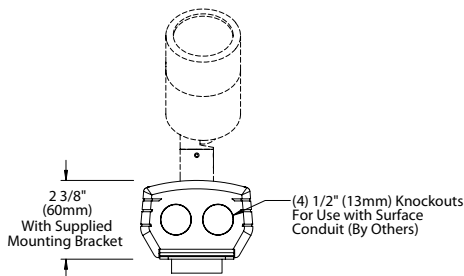
PM2 MONUMENT (POWER PIPE™)

PROJECT:	
TYPE:	

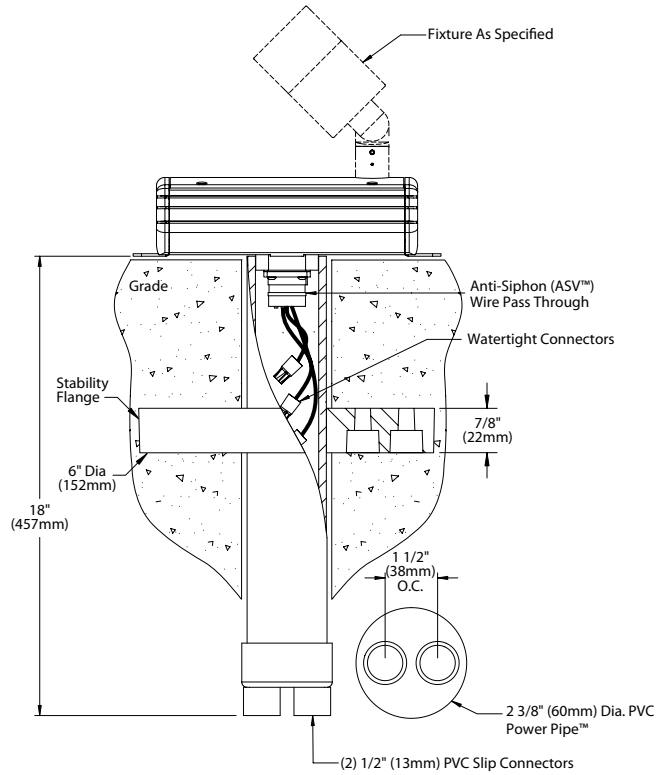
TOP VIEW



END VIEW



SIDE VIEW



All dimensions indicated on this submittal are nominal. Contact Technical Sales if you require more stringent specifications.

SPECIFICATIONS

GreenSource Initiative™

Metal and packaging components are made from recycled materials. Manufactured using renewable solar energy, produced onsite. Returnable to manufacturer at end of life to ensure cradle-to-cradle handling. Packaging contains no chlorofluorocarbons (CFC's). Use of this product may qualify for GreenSource efficacy and recycling rebate(s). Consult www.bklighting.com/greensource for program requirements.

Installation

Universal design accommodates a single metal halide fixture (specified separately) and permits water-tight installation in four distinct mounting conditions.

Ground / Monument Installation

For use at grade level with integration of Power Pipe™ System, which provides direct burial wireway into concrete or soil. 6" dia., molded stability flange projects into substrate to simplify installation and reinforce housing stability. [2] 1/2" PVC slip connectors for through wiring. Includes stainless steel mounting brackets for additional anchor to architectural surface. Anti-Siphon Valve (ASV™) prevents "wicking" through conductor insulation. [3] Silicone filled wire nuts supplied for water-tight line connection. Maximum (2) #10 & (1) #18. Minimum (1) #12 & (1) #18.

Housing

Copper free, aluminum extrusion with die cast end caps. Surface mounted with flow through back channel to prevent water and debris collection. Machined aluminum cover with countersunk holes for flush hardware installation. Tamper-resistant, captive, black oxide stainless steel mounting screws. Front access for ease of installation and inspection. [2] 1/2" NPT female conduit entries per end cap for through wiring.

Installation Tether

Stainless steel cable with integral loop allows cover to temporarily suspend from housing during installation to simplify wire connection and component attachment.

Patented Knockouts

[4] 1/2" NPT, machined aluminum knockouts. High temperature, silicone 'O' Ring for water-tight seal. Patented design allows knockout to be reinserted without compromising seal integrity.

Ballast

[1] 20-35 watt, integral, high power factor, electronic metal halide ballast. Multi-Tap (120/208/240/277V) primary voltage 50/60Hz.

Finish

StarGuard®, our exclusive RoHs compliant, 15 stage chromate-free process cleans and conversion coats aluminum components prior to application of Class 'A' TGIC polyester powder coating. Finish to match fixtures. (specified separately).

Warranty

5 year limited warranty.

Listings

NEMA 4X / IP-66 Rated Enclosure. UL Listed. Certified to CAN/CSA/ANSI Standards. RoHs compliant. Made in USA.



B-K LIGHTING	40429 Brickyard Drive • Madera, CA 93636 • USA 559.438.5800 • FAX 559.438.5900 www.bklighting.com • info@bklighting.com	SUBMITTAL DATE	DRAWING NUMBER
		6-10-14	SUB-1504-00