

# EVEREST SERIES™

EV



MATERIAL



FOR USE WITH



Power Supplies



Options

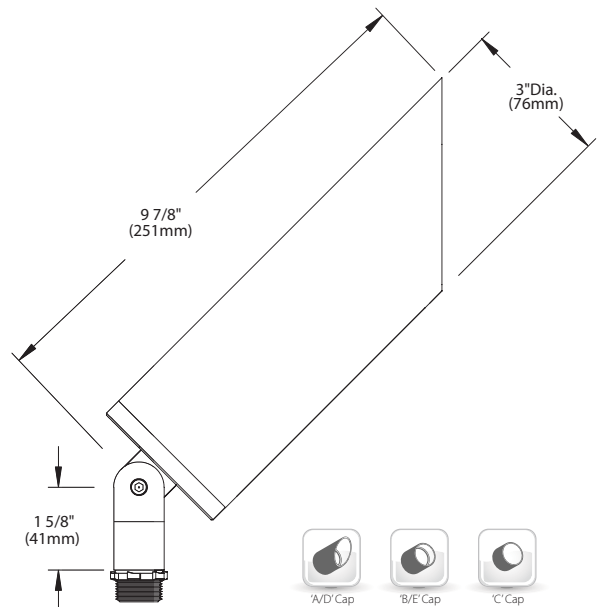


Mounting

"The Texas Live Oak is an amazing tree and a staple of the Lone Star state's landscape. To bring the trees on our project to life, we chose B-K fixtures with the versatile UPM. The compact size, flexible mounting options, and available accessories gave us the tools to discreetly mount the sources and create a dynamic, artistic lighting solution that brought out the beauty of these majestic trees."

*Jered E. Widmer, The Lighting Practice*

Shown with 'A' Cap  
in Satin Aluminum (SAP) finish



# EVEREST SERIES™ | EV POWER SUPPLIES

## INTEGRAL WITH FIXTURE

## REMOTE FROM FIXTURE



**EV-PC** | **Power Canopy System™**  
*(Specify Everest Series™ Fixture Separately)*



**EV-HP2** | **In-Grade (Flush)**  
*(Specify Everest Series™ Fixture Separately)*



**EV-TMB** | **Tenon Box Mount™**  
*(Specify Everest Series™ Fixture Separately)*



**EV-PM2** | **Universal Power Module™ 2**  
*(Specify Everest Series™ Fixture Separately)*



**EV-PM2D** | **Universal Power Module™ 2 Dual**  
*(Specify Everest Series™ Fixtures Separately)*



**EV-PPII** | **Power Pipe II™ System**  
*(Specify Everest Series™ Fixture Separately)*



**RM** | **Remote Ballast Housing**  
*(Specify Everest Series™ Fixture Separately)*



**DRM** | **Remote Ballast Housing Dual**  
*(Specify Everest Series™ Fixtures Separately)*



**HP2RM** | **Remote In-Grade (Flush)**  
*(Specify Everest Series™ Fixture Separately)*



**PM2RM** | **Universal Power Module™ 2 Remote**  
*(Specify Everest Series™ Fixture Separately)*



**PM2DRM** | **Universal Power Module™ 2 Dual Remote**  
*(Specify Everest Series™ Fixtures Separately)*