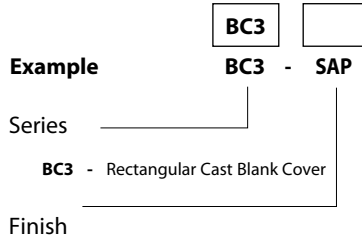


Cast Canopy

PROJECT:	
TYPE:	
CATALOG NUMBER:	
SOURCE:	
NOTES:	

CATALOG NUMBER LOGIC

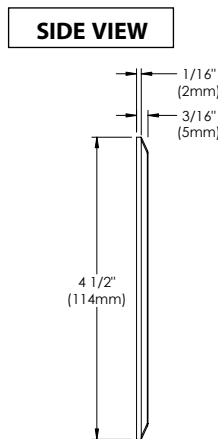
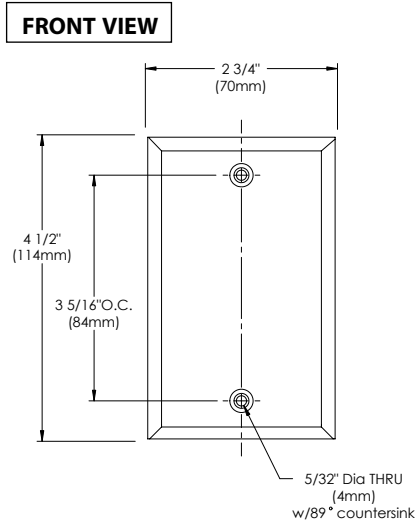


Aluminum Finish

Powder Coat Color	Satin	Wrinkle
Bronze	BZP	BZW
Black	BLP	BLW
White (Gloss)	WHP	WHW
Aluminum	SAP	—
Verde	—	VER

Premium Finish

ABP Antique Brass Powder	CMG Cascade Mountain Granite	RMG Rocky Mountain Granite
AMG Aleutian Mountain Granite	CRI Cracked Ice	SDS Sonoran Desert Sandstone
AQW Antique White	CRM Cream	SMG Sierra Mountain Granite
BCM Black Chrome	HUG Hunter Green	TXF Textured Forest
BGE Beige	MDS Mojave Desert Sandstone	WCP Weathered Copper
BPP Brown Patina Powder	NBP Natural Brass Powder	WIR Weathered Iron
CAP Clear Anodized Powder	OCP Old Copper	<i>Also available in RAL Finishes See submittal SUB-1439-00</i>



All dimensions indicated on this submittal are nominal.
Contact Technical Sales if you require more stringent specifications.
Actual item may vary from shown

SPECIFICATIONS

GreenSource Initiative™
Metal and packaging components are made from recycled materials. Manufactured using renewable solar energy, produced on site. Returnable to manufacturer at end of life to ensure cradle-to-cradle handling. Packaging contains no chlorofluorocarbons (CFC's). Use of this product may qualify for GreenSource efficacy and recycling rebate(s). Consult www.bklighting.com/greensource for program requirements.

Material
Furnished in Die Cast Copper-Free Aluminum.

Installation
For use with MB2 surface mounting box (specify separately).

Hardware
Tamper-resistant, stainless steel mounting hardware. Black oxide treated for additional corrosion resistance.

Finish
StarGuard®, our exclusive RoHs compliant, 15 stage chromate-free process cleans and conversion coats aluminum components prior to application of Class 'A' TGIC polyester powder coating.

Warranty
5 year limited warranty.

Certification and Listing
Suitable for indoor or outdoor use. RoHs Compliant. Made in USA.



B-K LIGHTING	40429 Brickyard Drive • Madera, CA 93636 • USA 559.438.5800 • FAX 559.438.5900 www.bklighting.com • info@bklighting.com	SUBMITTAL DATE	SUBMITTAL DRAWING #
		07-01-16	SUB000250