

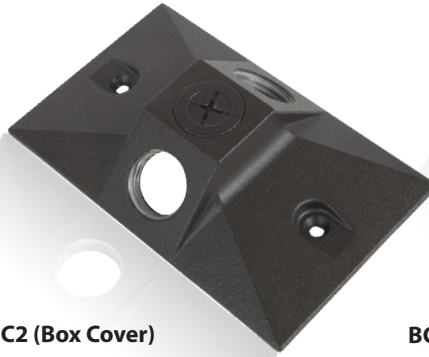
ACCESSORIES

MATERIAL



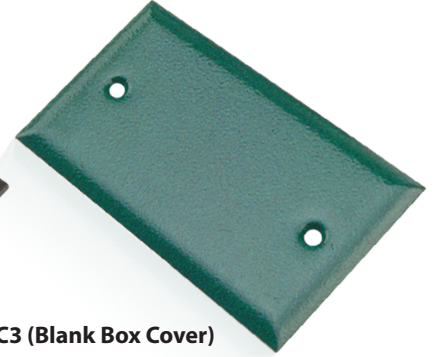
BC1 (Box Cover)

- 4 5/8" x 2 7/8" (118mm x 73mm)
Cast Rectangular Canopy
- 1/2" (13mm) I.P. Threaded Hole



BC2 (Box Cover)

- 4 5/8" x 2 7/8" (118mm x 73mm)
Cast Rectangular Canopy
- (2) 1/2" (13mm) I.P. Threaded Holes for Dual Fixtures



BC3 (Blank Box Cover)

- 4 1/2" x 2 3/4" (114mm x 70mm)
Cast Rectangular Canopy



BC4 (Box Cover)

- 4 1/2" Dia. (114mm)
Cast Canopy
- 1/2" (13mm) I.P. Threaded Hole



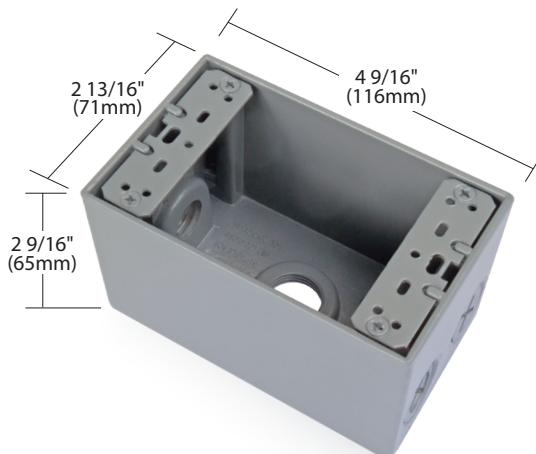
BC5 (Box Cover)

- 4 1/2" Dia. (114mm)
Cast Canopy
- (2) 1/2" (13mm) I.P. Threaded Holes for Dual Fixtures



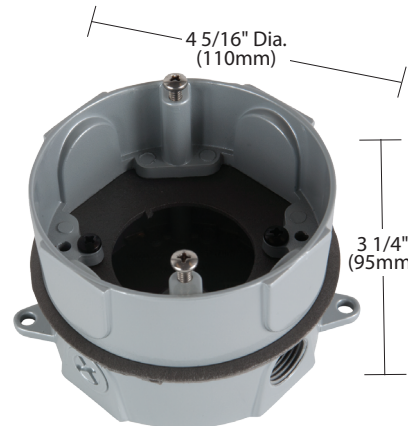
Stems (ST-Length)

- 1/2" (13mm) I.P. Female Threaded Both Ends
- Provided with a 1/2" (13mm) close nipple when ordered as a standalone piece
- Available in 3", 6", 12", 18", 24", 30", and 36" lengths



MB2 (Rectangular Box)

- 1/2" (13mm) I.P. Threaded Holes
- Cast Aluminum Box



MB3 (Round Box)

- Suitable for Concrete Pour
- Cast Aluminum Box
- (5) 1/2" (13mm) I.P. Threaded Holes