

# Cheshire CHE-N-SW



## Traditional double-ended tub

- Made from ENGLISHCAST™
  - One piece casting of rare volcanic limestone and resin
  - Harder and more durable than acrylic
- Easy clean high gloss finish
- Exterior can be painted, faux finished or stenciled
- 25 year warranty

Shown with polished chrome ball & claw feet  
FT-CHE-PC



## Options to be Specified

### Tub:

- **No faucet holes**  
Suitable for freestanding, wall or deck mounted faucets.  
Victoria & Albert warranty installers drilling custom faucet holes on-site.

Feet: (see feet page for more information)



White  
Metal

FT-CHE-WH



Polished  
Chrome

FT-CHE-PC



Polished  
Brass

FT-CHE-PB



Brushed  
Nickel

FT-CHE-BN



Polished  
Nickel

FT-CHE-PN



Oil Rubbed  
Bronze

FT-CHE-ORB



White  
ENGLISHCAST™

FT-CHE-SW

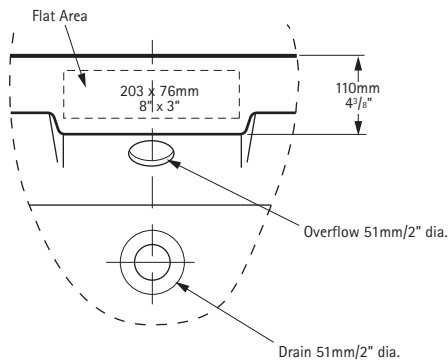
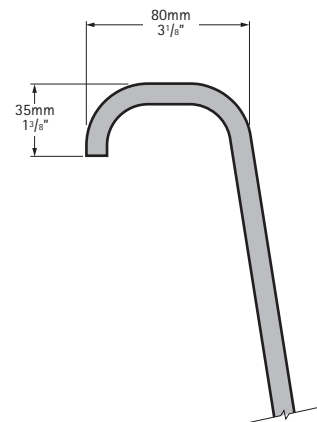
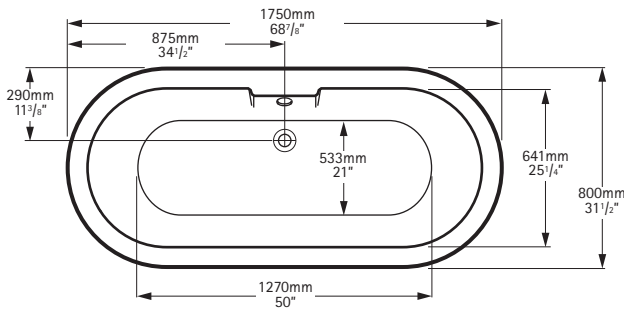
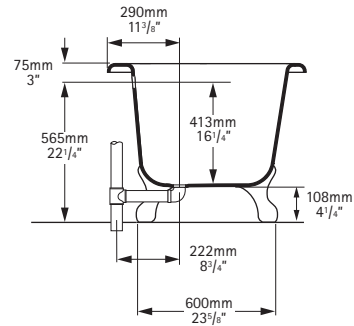
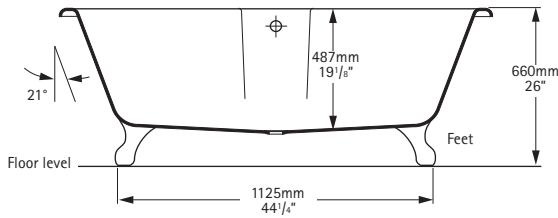
Recommended Drain:  
Standard Drain - STD-UNI-XX

**Note:** For product specifications please see over



# Cheshire CHE-N-SW

## Traditional double-ended bath



### General specifications for Cheshire tub

Installed size	68 <sup>7</sup> / <sub>8</sub> " x 31 <sup>1</sup> / <sub>2</sub> " x 26"
Weight	126lbs
Weight with water	734lbs
Gallons to overflow	73 gallons
Bathing well at sump	50" x 21"
Bathing well at rim	62 <sup>5</sup> / <sub>8</sub> " x 25 <sup>1</sup> / <sub>4</sub> "
Water depth to overflow	16 <sup>1</sup> / <sub>4</sub> "

### Notes

Refer to installation instructions supplied with tub for additional information. The feet supplied support sump of tub. No additional support required.

Fittings (faucets & drain assembly) not included and must be ordered separately. If installing deck mounted hardware refer to 'drilling faucet holes' instructions before installation.

### Important

Dimension of fixtures are nominal and may vary within the range of tolerances established by ANSI standard A112.19.4M.

These measurements are subject to change or cancellation.

No responsibility is assumed for use of superseded or void leaflet.