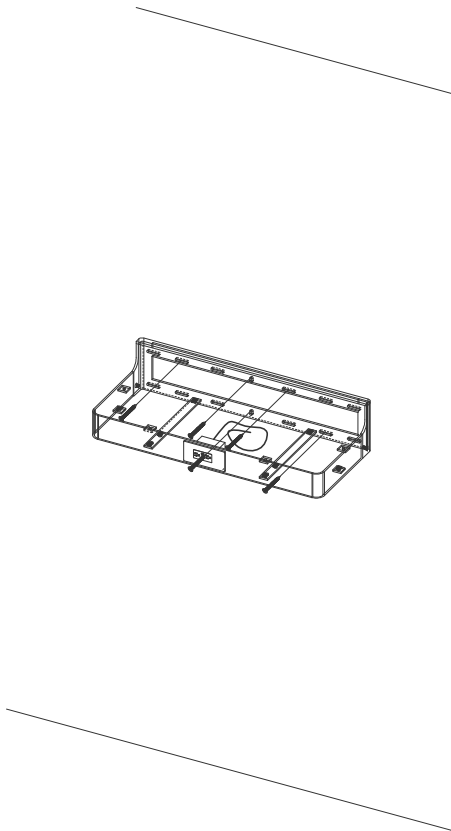


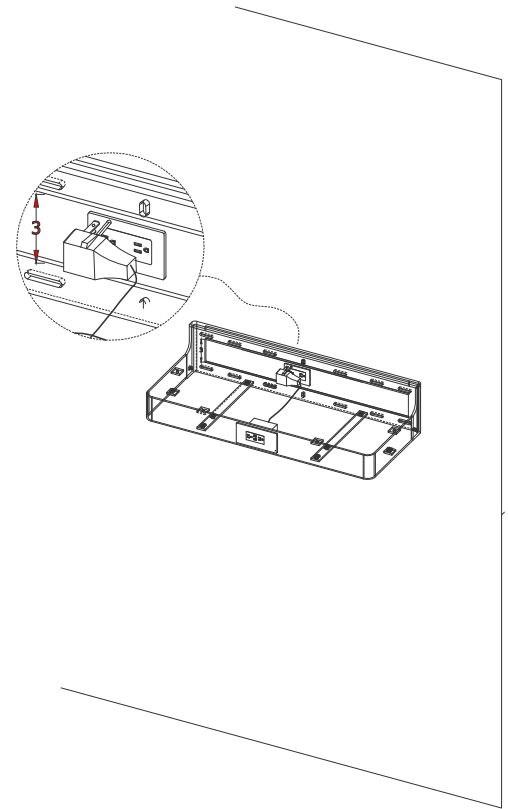
## Model GTW | GoTo Wall Mounted Work Table ASSEMBLY GUIDE



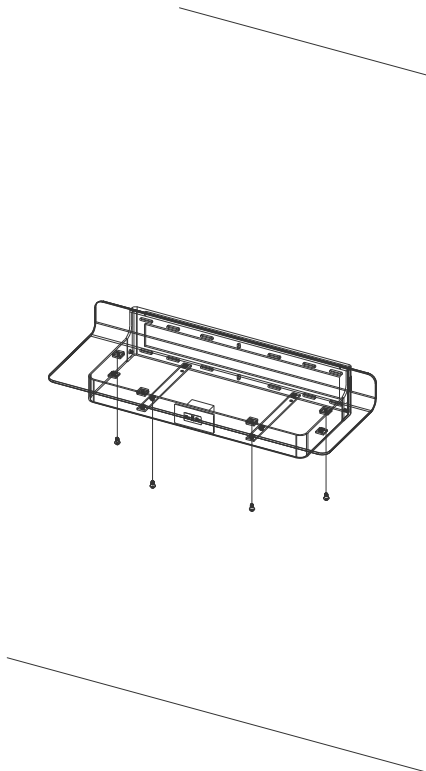
1 Secure to wall.



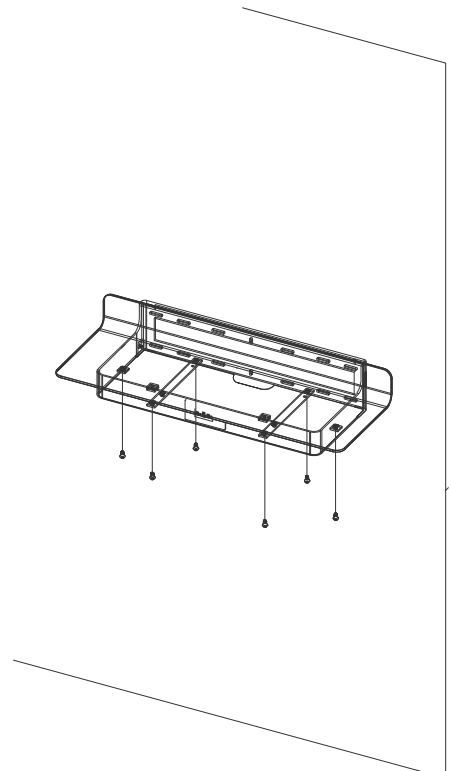
2 Run electrical to junction box.



3 Install work surface.



4 Install bottom cover.



5 Install bottom hooks by threading clockwise.

