

Pendant Compact Fluorescent Fixtures

GENERATION BRANDS

PENDANTS

GENERAL PRODUCT INFORMATION:

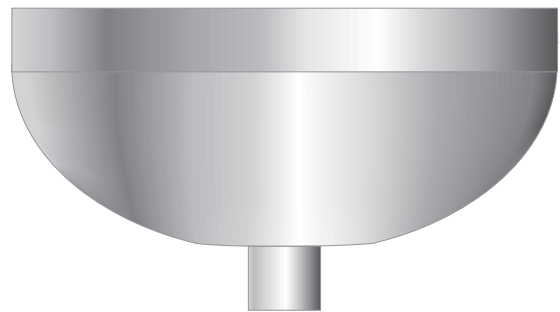


This product is suitable for damp locations.

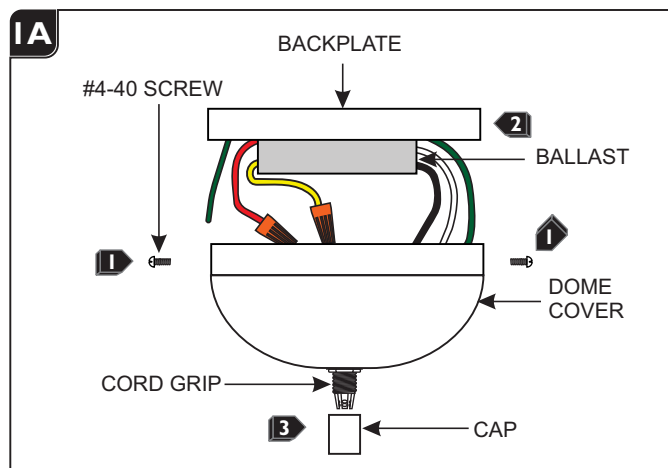
This fixture is intended to be installed utilizing NEC compliant junction boxes.

CAUTION - RISK OF FIRE
 This product must be installed in accordance with the applicable installation code by a person familiar with the construction and operation of the product and the hazards involved.
 Use minimum 90°C supply conductors.

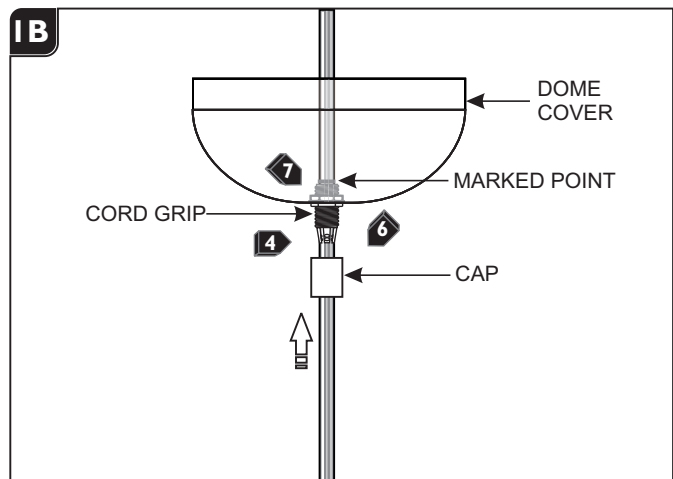
NOTE: If the fixture being installed has a cloth cord, start with **SECTION 2** of this installation instruction.



Shorten the Pendant

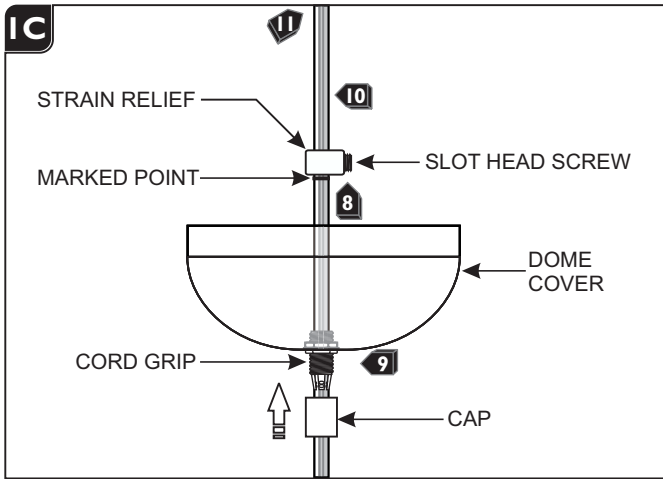


- 1** Remove the #4-40 screws on canopy sides.
- 2** Remove the backplate from the dome cover.
- 3** Remove the cap from the cord grip.

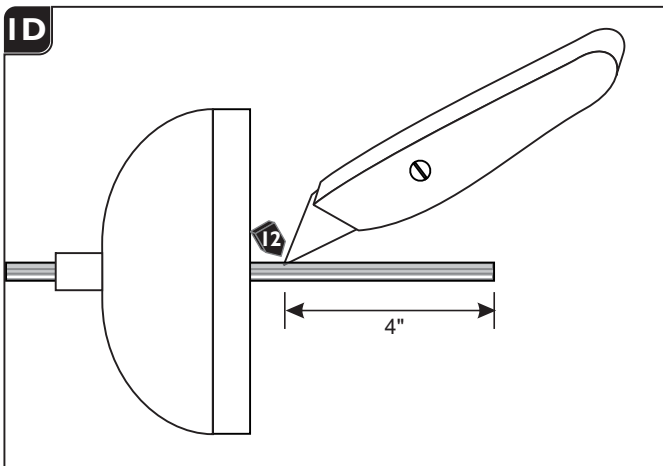


NOTE: Refer to the instructions provided with the pendant fixture to install the fixture shade (if needed) before proceeding with these steps.

- 4** Feed end of the pendant cord through the cap, and cord grip into the canopy.
- 5** Adjust the fixture height (from bottom of the fixture shade to top of the canopy) by moving the cord up or down.
- 6** When desired height is achieved, slightly tighten the cap.
- 7** From inside mark the cord right behind the cord grip for the strain relief location.



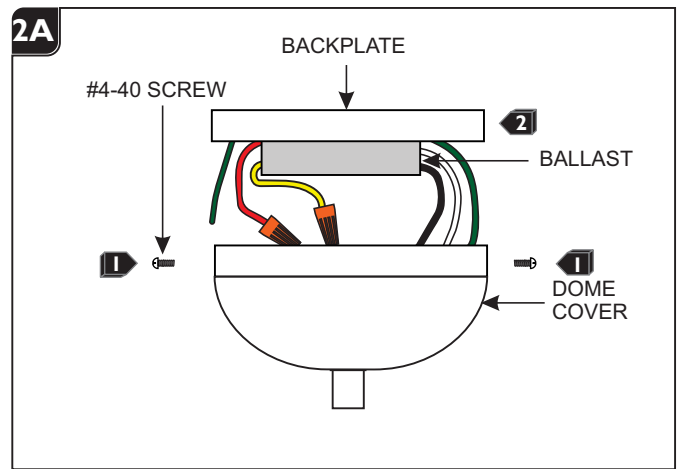
- 8** Loosen the cap and feed the cord through the strain relief. Place the strain relief right above the marked point and tighten the slot head screw.
- 9** Slide the dome cover up against the strain relief and tighten the cap to cord grip.
- 10** For power connection, leave at least 6" of the cord exposed in the back of the dome canopy.
- 11** Cut off the excess cord with a sharp cutter.



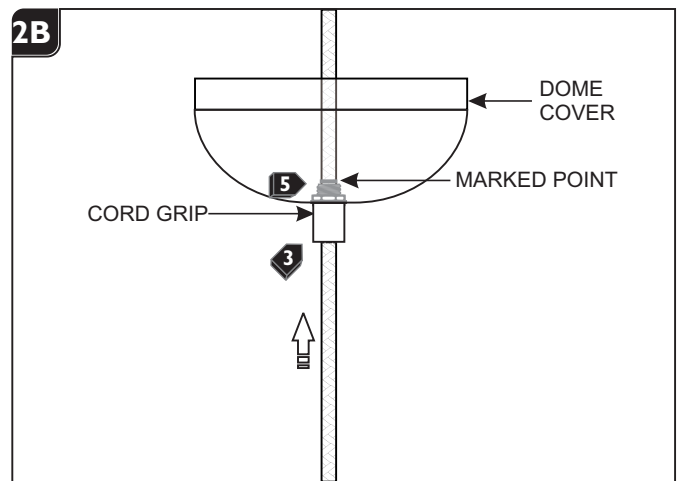
- 12** From the end of the cord, strip the outer insulation 4" using a sharp knife and needlenose pliers. **Make sure not to cut inner wires.**
- 13** Strip 1/4" of insulation from the inner insulated wires. (three inner insulated wires for standard SVT cord). The bare inner wire is the ground wire (green insulated wire in SVT cord).

SKIP TO SECTION 3.

Shorten the Pendant (cloth covered cord)

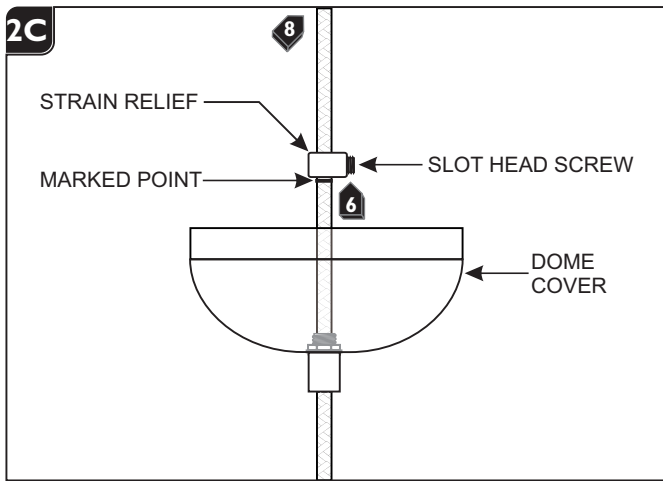


- 1** Remove the #4-40 screws on canopy sides.
- 2** Remove the backplate from the dome cover.

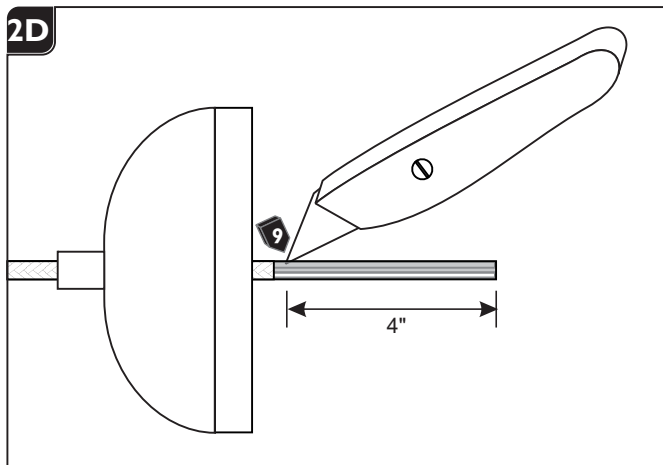


NOTE: Refer to the instructions provided with the pendant fixture to install the fixture shade (if needed) before proceeding with these steps.

- 3** Feed end of the pendant cord through the canopy.
- 4** Adjust the fixture height (from bottom of the fixture shade to top of the canopy) by moving the cord up or down.
- 5** When desired height is achieved, mark the cord.

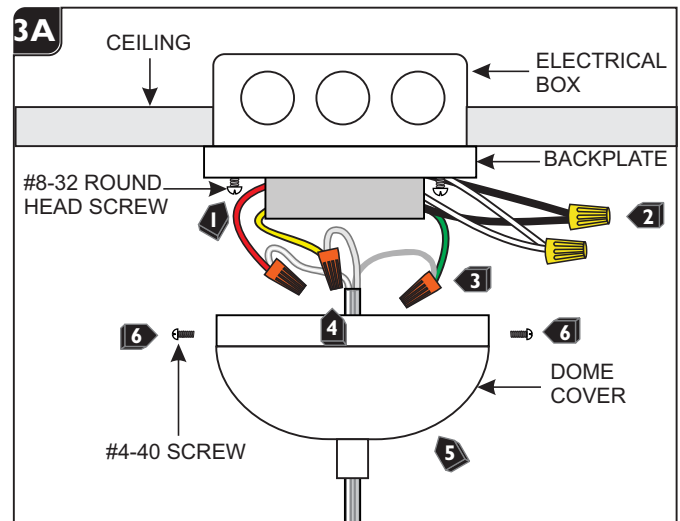


- 6 Feed the cord through the strain relief. Place the strain relief right above the marked point and tighten the slot head screw.
- 7 For power connection, leave at least 6" of the cord exposed in the back of the dome canopy.
- 8 Cut off the excess cord with a sharp cutter.



- 9 From the end of the cord, cut away the cloth and strip the outer insulation 4" using a sharp knife and needlenose pliers. **Make sure not to cut inner wires.**
- 10 Strip 1/4" of insulation from the inner insulated wires. (three inner insulated wires for standard SVT cord). The bare inner wire is the ground wire (green insulated wire in SVT cord).

Install the Pendant



- 1 Mount the backplate to the electrical box with the two #8-32 round head screws. Make sure that the backplate is grounded in accordance with local electrical codes.
- 2 Connect the ballast 120 volt black and white wires to the 120 volt hot and neutral power line wires with wire nuts respectively.
- 3 Ground the fixture bare uninsulated wire (green in SVT cord) in accordance with local electrical codes.
- 4 Connect the yellow and red ballast wires to the two remaining fixture wires (black and white in SVT cord) with wire nuts.
- 5 Place all wires, wire nut connections, and the ballast into the dome cover.
- 6 Replace the dome cover onto the backplate. Replace and tighten the two #4-40 screws.

SAVE THESE INSTRUCTIONS!

GENERATION BRANDS

7400 Linder Ave, Skokie, IL 60077

800.323.3226 - 847.626.6300

www.generation-brands.com

© 2014 Generation Brands. All rights reserved. The "Generation Brands" graphic is a registered trademark of Generation Brands. Generation Brands reserves the right to change specifications for product improvements without notification.

A Generation Brands Company