

## Knob and Lever Latchsets

- Will fit 2 $\frac{1}{8}$ " bore.
- For commercial and residential use. *For commercial use, please specify at time of order.*
- 2 $\frac{3}{8}$ " and 2 $\frac{3}{4}$ " backsets available.
- Supplied for 2 $\frac{3}{8}$ " backset and 1 $\frac{3}{8}$ " door thickness unless otherwise specified.
- All lever latchsets are ADA approved.

### Concealed Screw Roses:

Modern	2 $\frac{9}{16}$ " dia. x $\frac{7}{16}$ " proj.
Traditional	2 $\frac{5}{8}$ " dia. x $\frac{1}{2}$ " proj.
Square	2 $\frac{9}{16}$ " sq. x $\frac{7}{16}$ " proj.
Beaded	2 $\frac{5}{8}$ " dia. x $\frac{1}{2}$ " proj.
Roped	2 $\frac{5}{8}$ " dia. x $\frac{1}{2}$ " proj.
Reed & Ribbon	2 $\frac{5}{8}$ " dia. x $\frac{1}{2}$ " proj.
Ornate	2 $\frac{5}{8}$ " dia. x $\frac{1}{2}$ " proj.

Roses have been specifically designed for use with the knobs and levers with which they are shown in this catalog. Each set consists of solid brass knobs or levers, concealed screw finished roses, nylon thru-bolting rose cassette, latch, strike, dust box, faceplate, spindle, all necessary mounting screws, installation template and instructions.

### About our Tubular Latch

- All dimensions are standard to fit existing bores for replacement installations.
- Tough, non-rusting materials used throughout. Face covers and strikes are solid brass. No. 013 "T" strike supplied as a standard or No. 014 "Full Lip" strike as an option. Specify when ordering.
- Critical interior parts are made of solid brass.
- For over four decades Omnia's latches have been opening and closing hundreds of thousands of doors all around the world.
- 28° rotation to retract latch.

### Knob Latches (7 mm hub)

- 105KPA38:** 2 $\frac{3}{8}$ " backset, passage knob latch
- 105KPA34:** 2 $\frac{3}{4}$ " backset, passage knob latch
- 106KPR38:** 2 $\frac{3}{8}$ " backset, privacy knob latch
- 106KPR34:** 2 $\frac{3}{4}$ " backset, privacy knob latch

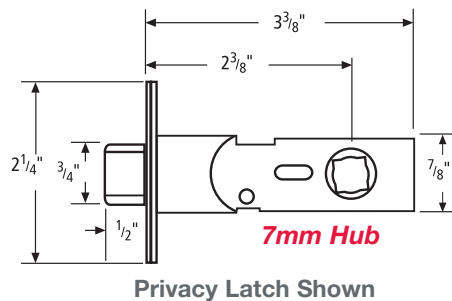
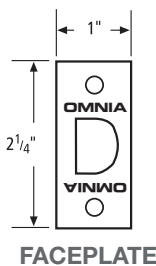
### Lever Latches (7 mm hub)

- 105LPA38:** 2 $\frac{3}{8}$ " backset, passage lever latch
- 105LPA34:** 2 $\frac{3}{4}$ " backset, passage lever latch
- 106LPR38:** 2 $\frac{3}{8}$ " backset, privacy lever latch
- 106LPR34:** 2 $\frac{3}{4}$ " backset, privacy lever latch

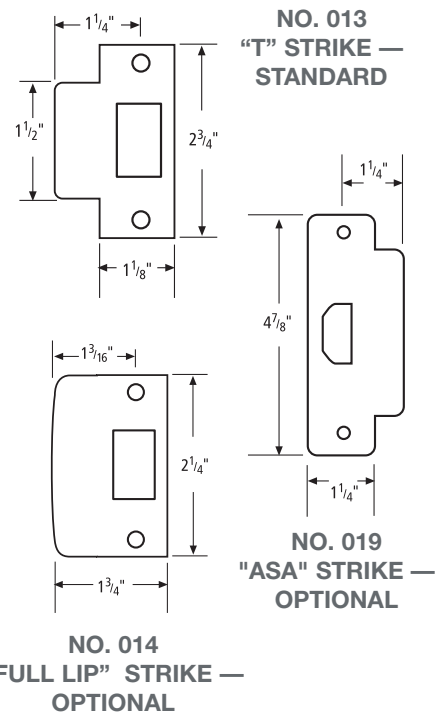
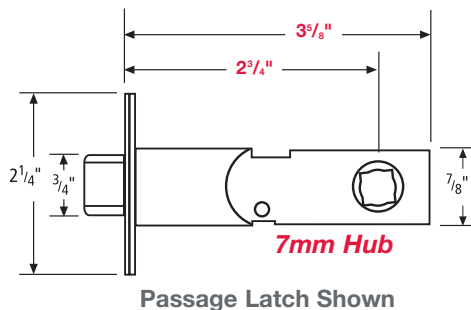


All Omnia lever latchsets meet ADA accessibility requirements.

### DRAWINGS NOT TO SCALE



■ SPECIFY 2 $\frac{3}{8}$ " OR 2 $\frac{3}{4}$ " BACKSET. ■



## Sub-Rose Cassette Features

Nylon sub-roses feature self-aligning thru-bolts. Fits a standard 2 1/8" bore. Spring-assisted inside & outside, for levers only. Universal for passage & privacy.

**#982 Sub-Rose Cassette:** 2 7/16" diameter x 3/8" projection (without finished rose cover). Shipped standard for rose designs: 622 (square passage), 623 (square privacy), 677 (modern passage), 683 (ornate passage), 809 (modern privacy), 810 (ornate privacy).

**#983 Sub-Rose Cassette:** 2 7/16" diameter x 1/2" projection (without finished rose cover). Shipped standard for rose designs: 577 (beaded passage), 579 (roped passage), 671 (traditional passage), 806 (beaded privacy), 807 (roped privacy), 808 (traditional privacy), 811 (ribbon & reed privacy), 855 (ribbon & reed passage).



## PRODUCT DATA

### Additional Components

**027-BLK:** Black nylon washer used for installation/ assembly of finished rose covers (used for the following finishes: US10B, VC).

**027-GLD:** Gold nylon washer used for installation/ assembly of finished rose covers (used for the following finishes: US3, US4, MB, SB, VB).

**027-WH:** White nylon washer used for installation/ assembly of finished rose covers (used for the following finishes: US26, US26D, US14, US15, US15A, MS, VI).

**124.35:** 35 mm long privacy function pin, inside only, matching finishes (used for 1 3/8" or 1 3/4" thick doors).

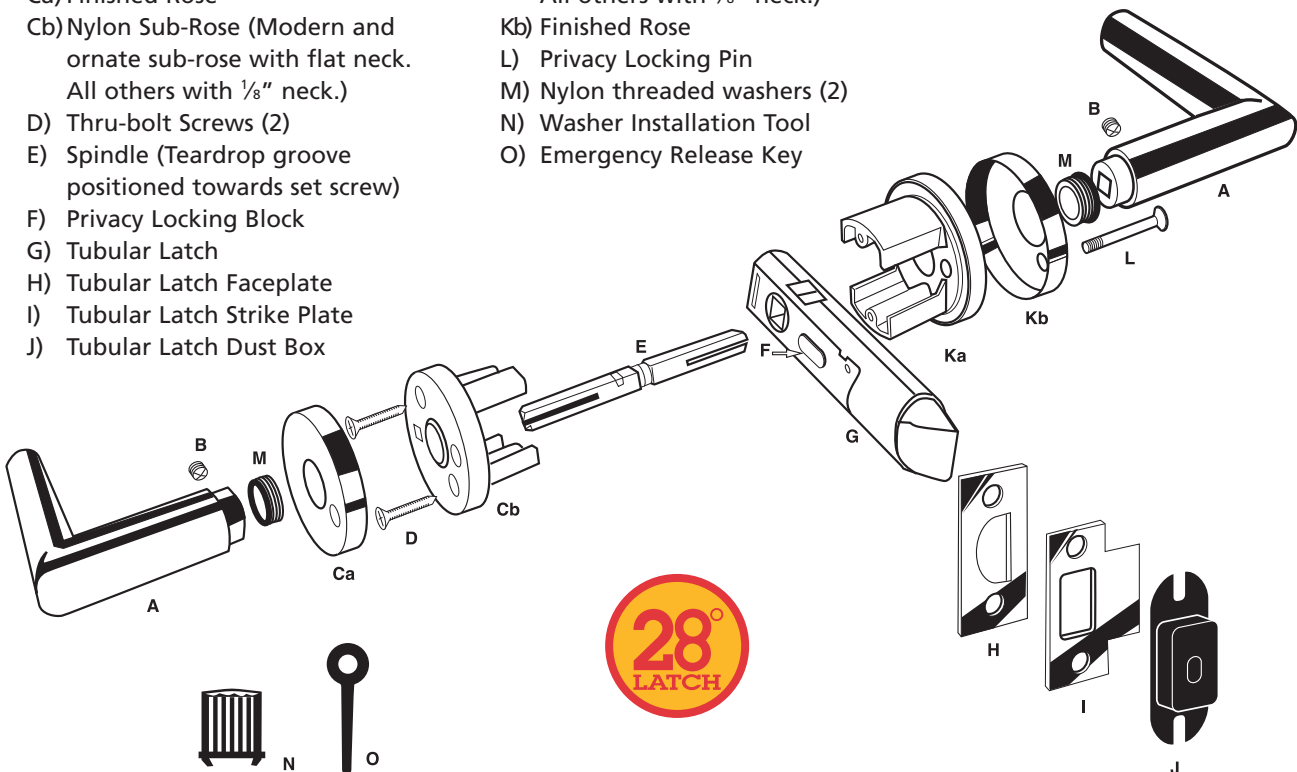
**124.EXT:** 8 mm long extension for privacy function pins (used for 2" plus thick doors).

**984:** Nylon washer installation tool used for assembly of finished roses.

**985:** Nylon privacy function emergency release key.

### Latchset — Exploded To Show Detail

- |  |  |
|--|--|
| A) Door knob/lever (2)   | Ka) Nylon Sub-Rose (Modern and ornate sub-rose with flat neck. All others with 1/8" neck.) |
| B) Set Screws (2)  | Kb) Finished Rose  |
| Ca) Finished Rose  | L) Privacy Locking Pin   |
| Cb) Nylon Sub-Rose (Modern and ornate sub-rose with flat neck. All others with 1/8" neck.) | M) Nylon threaded washers (2)  |
| D) Thru-bolt Screws (2)  | N) Washer Installation Tool  |
| E) Spindle (Teardrop groove positioned towards set screw)                                  | O) Emergency Release Key   |
| F) Privacy Locking Block   |  |
| G) Tubular Latch   |  |
| H) Tubular Latch Faceplate   |  |
| I) Tubular Latch Strike Plate  |  |
| J) Tubular Latch Dust Box  |  |



## Functions

**Passage:** Latch operates by knob or lever from either side of door.

**Privacy:** Latch operates by lever from either side. Push button on interior rose engages privacy; emergency release hole is on exterior rose. Turning inside lever will release privacy and retract latchbolt. For bathroom or bedroom. Uses 7mm split spindle.

**Pair Dummy:** Trim on both sides of door. Knob or lever with thru-bolted, concealed screw rose set.

**Single Dummy:** Trim on one side of door only. Available for surface mounting or thru-bolting. Knob or lever with rose. .

*Dummy applications not recommended for commercial use.*



## Single or Pair Dummy Roses

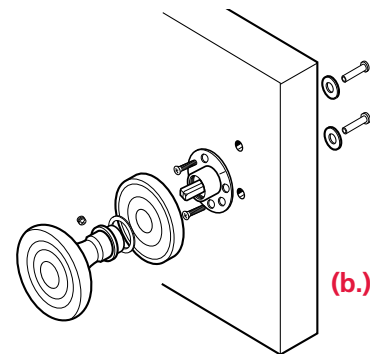
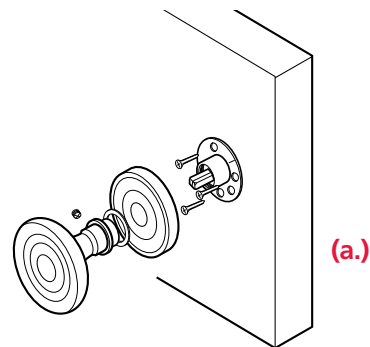
### Single Dummy Rose Options

**1. Surface Mounted (a.) —  
Concealed Screws**

**2. Thru-bolted (b.) —  
Concealed Screws**

Assembly for either surface mounted or thru-bolted installation is included. Surface mounted installation (a.) is a clean look with no exposed screws. Thru-bolted installation (b.) is our strongest mounting format as the entire door supports the dummy. The screws are concealed for a clean look on the exterior side. Thru-bolt screw heads and decorative washers are visible on the interior side. This method of mounting requires the door be drilled through for installation.

Both installation options are shipped unassembled, requiring site assembly.



### Pair Dummy Rose

**1. Thru-bolted, —  
Concealed Screws**

No screws are exposed in this format. Shipped unassembled, requiring site assembly.

