

JASON 390. Design: EOOS.



Jason 390 is synonymous with modern living. Smart design with a practical purpose. The armrest extension mechanism is housed within the frame. A surface for lying on can be produced in next to no time within the two-, two-and-a-half- and three-seater sofas.

Product description

Design awards



Modell no.

390

Frame

Seat: steel with zigzag springs.
Back: steel.

Upholstery

Loose seat cushions, sandwich construction with an outer layer of wadding/ticking.
Loose back cushions available with two types of upholstery.

Type 1: ticking sewn into chambers with foam rods/fibre filling and foam cure (casual look).

Type 2: cold cure foam with an outer layer of wadding (formal look).

Bolster: foam-/fibre filling.

Legs

Steel, satin chrome, with highly polished chrome-plated finish or black chrome (for surcharge).
With height-adjustable glides.

Function

Each armrest adds 33 cm to the width of the sofa when fully extended.

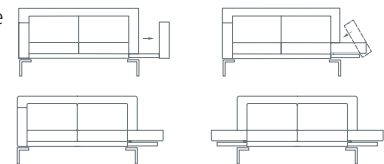
FL = functional armrest, left.

FR = functional armrest, right.

FLFR = functional armrest, left and right.

As viewed from the front in each case.

Please note the respective armrest when ordering.



Dimensions with one functional armrest:

390-20: W 185 cm

390-25: W 211 cm

390-30: W 248 cm

Dimensions with two functional armrests:

390-20: W 218 cm

390-25: W 244 cm

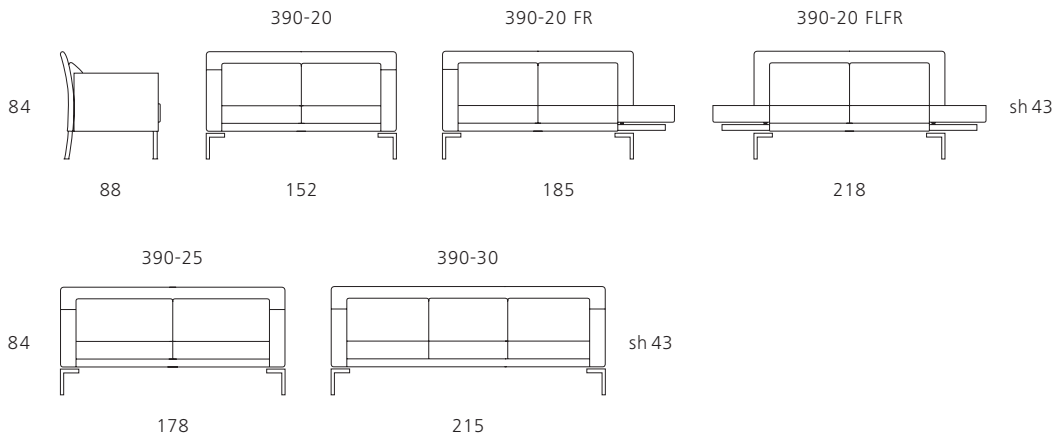
390-30: W 281 cm

Matching models

Jason 391 tables.

JASON 390.

Technical drawings and dimensions



All dimensions in cm.