

DESCRIPTION

The Altus LED low bay is a durable and high efficient solution for a variety of industrial and commercial applications. The Altus is constructed of extruded aluminum for optimal thermal control and longer system life. The Altus offers a compact design with optimal performance with a wide angle distribution suitable for most low bay applications.

Catalog #		Type
Project		
Comments		Date
Prepared by		

SPECIFICATION FEATURES

Construction

Heavy-duty anodized extruded aluminum housing for added durability and thermal control. Enclosed fixture design is IP68 rated making it suitable for a variety of applications and environments.

Electrical

Long-life LED system coupled with electrical driver to deliver optimal performance. Available in 5000K and 5700K at >80 CRI. ETL listed. Electronic driver is available is 90-277V. Standard fixed output driver.

Finish

Standard black anodized housing for increased durability and rust inhibition.

Optics

High impact-resistant tempered glass lens construction designed for optimal performance in a wide distribution.

Mounting

The Altus is suited for suspension mounting with various mounting options.

Compliance

Luminaires are ETL listed for wet locations -40°C - 55°C ambient environments. IP68 listed and RoHS compliant. and LED modules comply with IESNA LM-79 and LM-80 standards and are DLC listed.



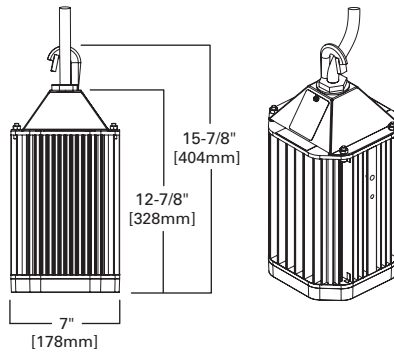
ALTUS LED

Commercial/Industrial
Luminaire

MOUNTING OPTIONS AND DIMENSIONS

ALTUS

Pendant Mount with Hook (PDH)



ORDERING INFORMATION

STANDARD PRODUCT								
Model	Product Code	CCT	Finish	Voltage	Mounting	Optics	Cabling	Accessories
Altus 80	ALT80	N	BLK	VL	PDH	5W	N06	N
Altus 120	ALT120	N	BLK	VL	PDH	5W	N06	N
Altus 140	ALT140	N	BLK	VL	PDH	5W	N06	N



	N	BLK	VL	PDH	5W	N06	N
--	----------	------------	-----------	------------	-----------	------------	----------

Pure power is required to ensure proper function and lifetime of Eaton fixtures. Prior to installation, an analysis should be performed to verify site power meets these requirements:

- > High frequency voltage should be below -40dB or .01V between 3KHZ and 100KHZ
- > High frequency current should be below -50dB or .019A between 3KHz and 100KHz

If the power does not meet these criteria, waveform correction technology should be used to condition the power. Surge protection alone is not adequate. Eaton will not be liable for damage to fixtures due to poor power quality. Contact Eaton for more information.

ENERGY AND PERFORMANCE DATA

	Altus 80	Altus 120	Altus 140
Lumen Output ²	7,500	10,850	13,800
System Watts	80	120	120
Input Voltage	VL: 90-277VAC	VL: 90-277VAC	VL: 90-277VAC
CRI	>75	>80	>80
CCT	5000K	5000K	5700K
Operating Temp	-40°C to 55°C	-40°C to 55°C	-40°C to 55°C
L70 Hours	>225,000	>225,000	>225,000
IP Rating	IP68	IP68	IP68

Notes:

2. The specifications listed were obtained under optimal testing conditions. Changes in options, features and conditions may result in slightly different performance specifications among fixtures.

ILLUMINATION TABLES

Altus 80 - Average Illumination (FC) ³					
Height	Spacing				
	15 FT	20 FT	25 FT	30 FT	35 FT
10 FT	34	19	12	9	7
15 FT	33	18	12	8	7
20 FT	32	18	11	8	6
25 FT	31	17	11	8	6
30 FT	30	17	11	8	6

Altus 120 - Average Illumination (FC) ³					
Height	Spacing				
	15 FT	20 FT	25 FT	30 FT	35 FT
10 FT	51	28	18	13	10
15 FT	49	28	18	12	10
20 FT	48	27	17	12	10
25 FT	46	26	17	12	9
30 FT	45	25	16	11	9

Altus 140 - Average Illumination (FC) ³					
Height	Spacing				
	15 FT	20 FT	25 FT	30 FT	35 FT
10 FT	68	38	25	17	14
15 FT	66	37	24	17	13
20 FT	64	36	23	16	13
25 FT	62	35	22	16	13
30 FT	60	34	22	15	12

Notes:

3. Data based on a 300' x 300' room, 80/50/20 reflectance.

SHIPPING DATA

Catalog No.	Wt.
ALTUS (PDH)	19 lbs.