

SPECIFY SEAL COLOR	
Black	(J1D101)
Beige	(J1D102)
Gray	(J1D103)
Off White	(J1D104)
Bright White	(J1D105)

221-A09-050 SYSTEM

Joint Width		Movement ±			
		Horizontal		Vertical	
US	mm	US	mm	US	mm
2"	51	1/4"	6	1/4"	6

Aluminum Finish-Clear Anodized

JOINTMASTER[™]
EXPANSION JOINT SYSTEMS

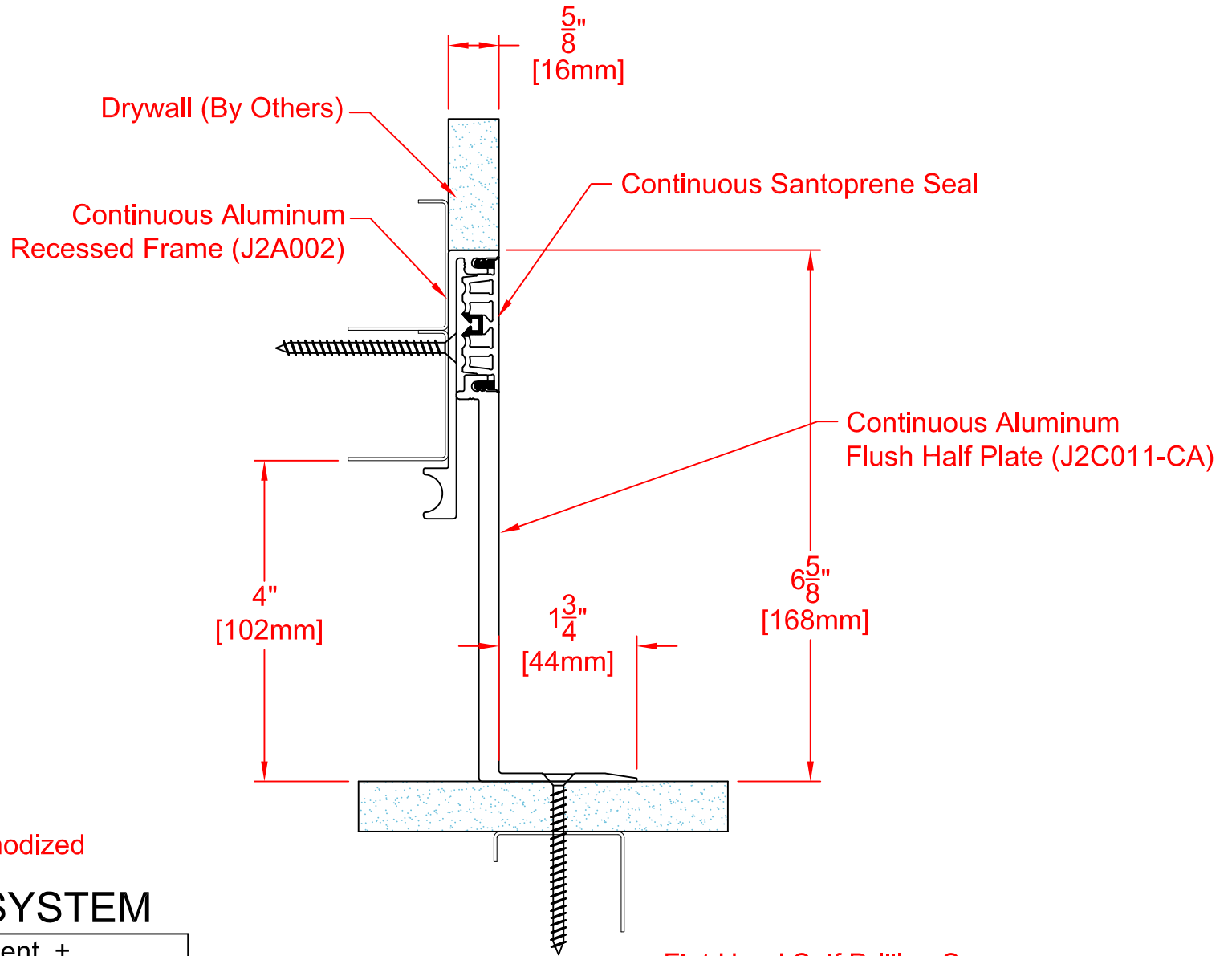
DATE: 12-12-14

SCALE: 1/2

DOC# ADJM.150/Rev1

APPLICATION
WALL/CORNER-WALL/CEILING CONDITION
FLUSH PLATE

inpro[®]



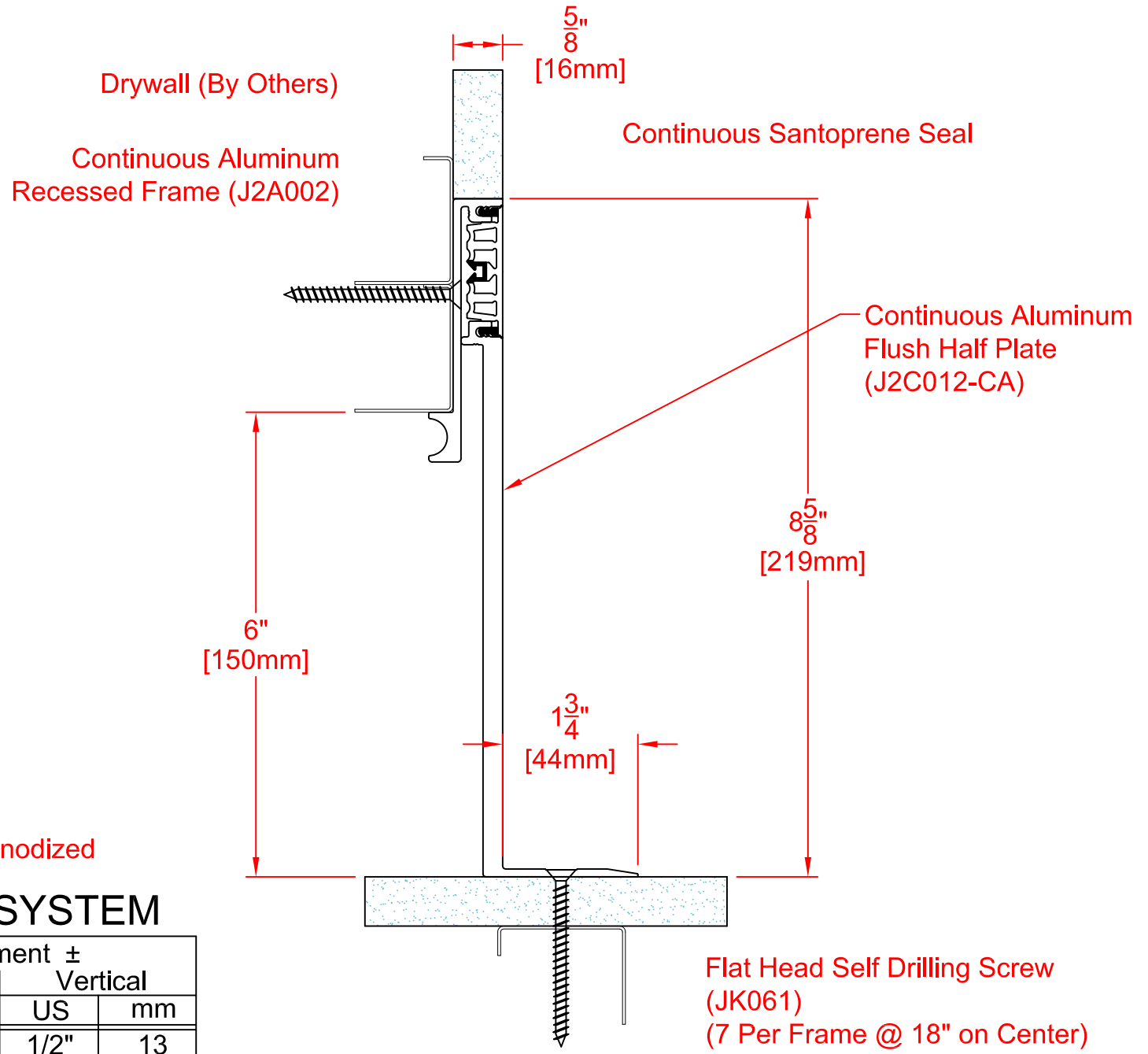
SPECIFY SEAL COLOR	
Black	(J1D201)
Beige	(J1D202)
Gray	(J1D203)
Off White	(J1D204)
Bright White	(J1D205)

Aluminum Finish-Clear Anodized

221-A09-100 SYSTEM

Joint Width		Movement ±			
		Horizontal		Vertical	
US	mm	US	mm	US	mm
4"	102	1/2"	13	1/2"	13

Flat Head Self Drilling Screw
(JK061)
(7 Per Frame @ 18" on Center)



SPECIFY SEAL COLOR	
Black	(J1D201)
Beige	(J1D202)
Gray	(J1D203)
Off White	(J1D204)
Bright White	(J1D205)

Aluminum Finish-Clear Anodized

221-A09-150 SYSTEM

Joint Width		Movement ±			
		Horizontal		Vertical	
US	mm	US	mm	US	mm
6"	152	1/2"	13	1/2"	13

Flat Head Self Drilling Screw (JK061)
(7 Per Frame @ 18" on Center)

JOINTMASTER[®]
EXPANSION JOINT SYSTEMS

DATE: 12-12-14
SCALE: 1/2
DOC:CADJM.150/Rev1

APPLICATION
WALL/CORNER-WALL/CEILING CONDITION
FLUSH PLATE

