

221-A09-200 SYSTEM THERMAL

Joint Width		Movement ±			
		Horizontal		Vertical	
US	mm	US	mm	US	mm
8"	203	1"	25	1"	25

SEISMIC

Joint Width		Movement ±			
		Horizontal		Vertical	
US	mm	US	mm	US	mm
8"	203	2"	51	2"	51

SPECIFY SEAL COLOR	
Black	(J1D201)
Beige	(J1D202)
Gray	(J1D203)
Off White	(J1D204)
Bright White	(J1D205)

Aluminum Finish-Clear Anodized

JOINTMASTER[®]
EXPANSION JOINT SYSTEMS

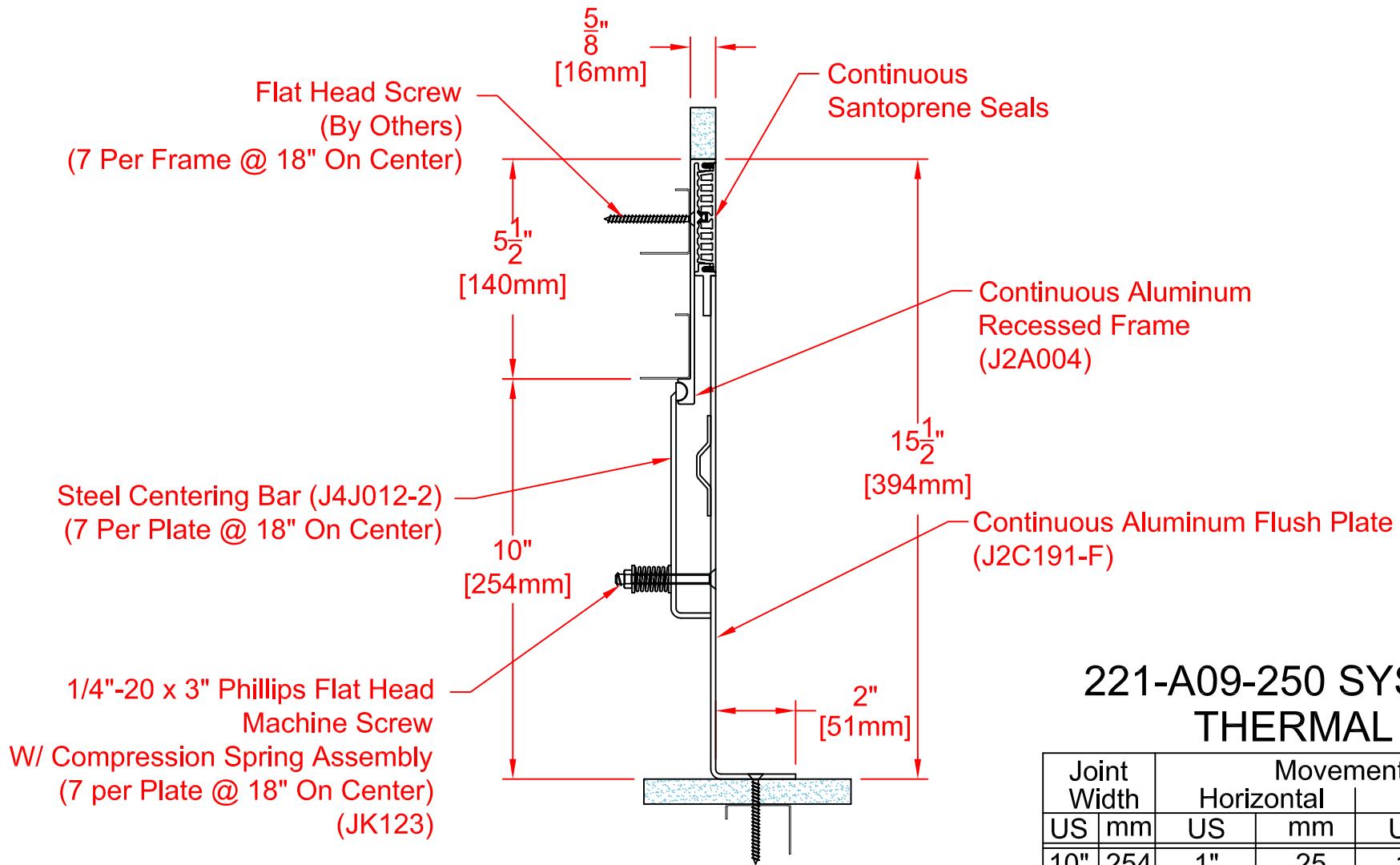
DATE: 12-12-14

SCALE: 1/4

DOC:CADJM.157/Rev1

APPLICATION
WALL/CORNER-WALL/CEILING CONDITION
FLUSH PLATE

inpro[®]



221-A09-250 SYSTEM THERMAL

Joint Width		Movement ±			
		Horizontal		Vertical	
US	mm	US	mm	US	mm
10"	254	1"	25	1"	25

SEISMIC

Joint Width		Movement ±			
		Horizontal		Vertical	
US	mm	US	mm	US	mm
10"	254	2 1/2"	64	2 1/2"	64

SPECIFY SEAL COLOR	
Black	(J1D201)
Beige	(J1D202)
Gray	(J1D203)
Off White	(J1D204)
Bright White	(J1D205)

Aluminum Finish-Clear Anodized

JOINTMASTER[®]
EXPANSION JOINT SYSTEMS

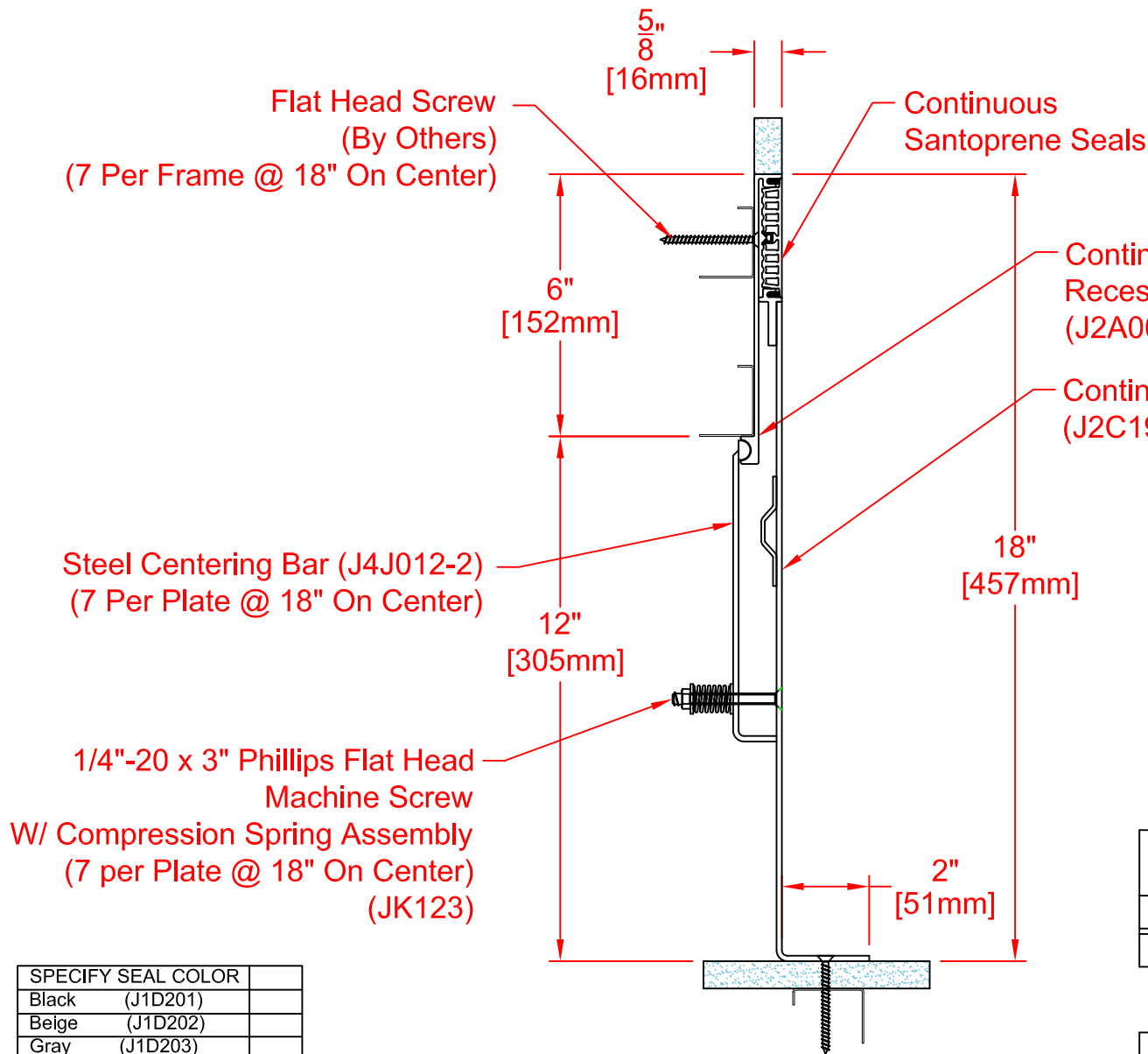
DATE: 12-12-14

SCALE: 1/4

DOC:CADJM.157/Rev1

APPLICATION
WALL/CORNER-WALL/CEILING CONDITION
FLUSH PLATE

inpro[®]



Flat Head Screw
(By Others)
(7 Per Frame @ 18" On Center)

5"
8"
[16mm]

Continuous
Santoprene Seals

6"
[152mm]

Continuous Aluminum
Recessed Frame
(J2A005)

Continuous Aluminum Flush Plate
(J2C192-F)

Steel Centering Bar (J4J012-2)
(7 Per Plate @ 18" On Center)

18"
[457mm]

12"
[305mm]

1/4"-20 x 3" Phillips Flat Head
Machine Screw
W/ Compression Spring Assembly
(7 per Plate @ 18" On Center)
(JK123)

2"
[51mm]

221-A09-300 SYSTEM THERMAL

Joint Width		Movement ±			
		Horizontal		Vertical	
US	mm	US	mm	US	mm
12"	304	1"	25	1"	25

SEISMIC

Joint Width		Movement ±			
		Horizontal		Vertical	
US	mm	US	mm	US	mm
12"	304	3"	76	3"	76

SPECIFY SEAL COLOR	
Black	(J1D201)
Beige	(J1D202)
Gray	(J1D203)
Off White	(J1D204)
Bright White	(J1D205)

Aluminum Finish-Clear Anodized

JOINTMASTER[®]
EXPANSION JOINT SYSTEMS

DATE: 12-12-14

SCALE: 1/4

DOC:CADJM.157/Rev1

APPLICATION
WALL/CORNER-WALL/CEILING CONDITION
FLUSH PLATE

inpro[®]