

DESCRIPTION

6-inch LED recessed retrofit converts existing 6-inch HID, incandescent, compact fluorescent downlights to energy saving LED. Simple below ceiling installation without removing the existing fixture. Standard 120-277V 0-10V combined with 120V trailing edge driver allows dimming without additional wiring. Two stage reflector system produces smooth distribution with excellent light control and low aperture brightness. Lumen packages include 1000, 1500, 2000 and 3000 lumens with color temperatures of 2700K, 3000K, 3500K and 4000K in 80 or 90 CRI. Available with dim-to-warm technology – similar to halogen at full power, the 3000K LED warms smoothly as dimmed to 1800K creating a rich warm glow within the space.

SPECIFICATION FEATURES

Lower Shielding Reflector

Self-flanged, spun .050" thick aluminum lower reflector in combination with a lensed upper optical chamber provides superior lumen output with minimal source brightness. Available in all Portfolio Alzak® finishes.

Trim Retention

Lower reflector is retained with two torsion springs holding the flange tightly to the finished ceiling surface.

Retrofit ring

Galvanized steel ring installs with 2 mouse trap springs for secure installation and accommodates up to 2' ceiling thickness. Installs in ceiling openings from 6" to 6-7/16". Pre-wired flexible conduit with snap in connector installs into 1/2" knockout on the existing junction box.

LED

LED system contains a plurality of high brightness white LED's combined with a high reflectance upper reflector and convex transitional lens producing even distribution with no pixilation. Rated for 50,000 hours at 70% lumen maintenance. Auto resetting, thermally protected, LED's are turned off when safe operating temperatures are exceeded. Color variation within 3-step MacAdam ellipses. Flexible disconnect allows for tool-less replacement of LED engine from below ceiling. Available in 80 or 90 CRI.

D2W™ – dim-to-warm shifts CCT from 3000K to 1850K as fixture dims mimicking halogen sources.

Driver

Combination 120-277V 0-10V or 120V trailing edge driver provides flicker free dimming from 100%

Catalog #		Type
Project		
Comments		Date
Prepared by		

to 10%. Optional 1% 0-10V, Fifth Light, DMX or Lutron® Ecosystem. Driver can be serviced from above or through the aperture.

Code Compliance

Thermally protected and cULus certified for protected wet locations. Optional City of Chicago environmental air (CCEA) marking for plenum applications. EMI/RFI emissions per FCC 47CFR Part 18 Class B consumer limits. Non-IC rated - Insulation must be kept 3' from top and sides of housing. RoHS Compliant. Title 24 Compliant with designated trims. Photometric testing completed in accordance with IES LM 79 standards. LED life testing completed in accordance with LM 80 standards.

Warranty

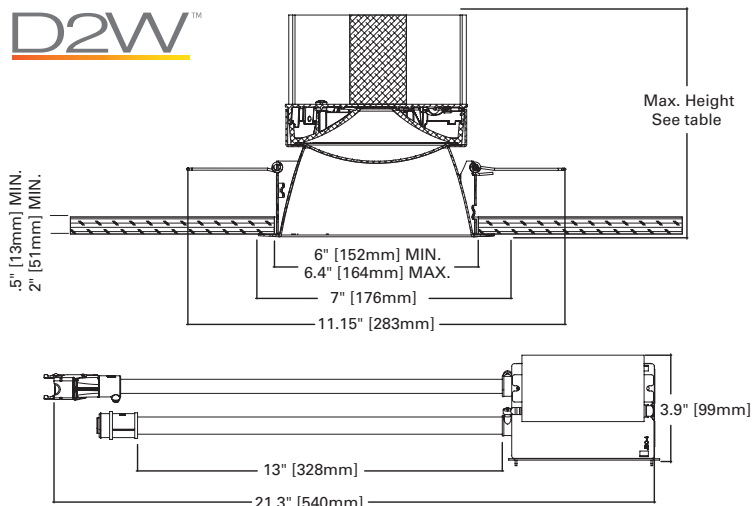
5-year warranty.



LD6ART

- 1000 Lumen LED
- 1500 Lumen LED
- 2000 Lumen LED
- 3000 Lumen LED

6-Inch



Distribution	Lumens	Max Height
Narrow	1000/1500	6 3/16"
Medium	1000/1500	6 9/16"
Wide	1000/1500	5 5/8"
Narrow	2000/3000	8 3/16"
Medium	2000/3000	8 9/16"
Wide	2000/3000	6 1/2"

EM MULTIPLIER DATA

LUMENS	EM MULTIPLIER	
	7	14
900/1000	0.50	0.99
1300/1500	0.29	0.57
1800/2000	0.22	0.44
2800/3000	0.16	0.32



Refer to ENERGY STAR® Qualified Products List.



ORDERING INFORMATION

EXAMPLE: LD6ART ERM6A15835 6LM0LI=6" LED Medium Beam Reflector, 1500 Lumen 3,500 K Color with Universal 120 - 277V, 0 - 10 Driver

Housing	Lumens ¹	Driver	Options ^{2,3}	Power Module	Lumens	CRI	Color
LD6ART=6" Aperture LED Downlight Retrofit LD6ARTCP=6" Aperture LED Downlight Retrofit, Chicago Plenum	10=1000 Lumens 15=1500 Lumens 20=2000 Lumens 30=3000 Lumens	1000, 1500, 2000 and 3000 Lumen D010TE=120-277V 0-10V 10% Dimming or Trailing Edge 120V Dimming D5LT=Fifth Light® (DALI) 0% Dimming DE010=1 to 100% Dimming, 120-277V 50/60Hz, 0-10V DL3=1 to 100% Dimming, 120-277V Lutron® Hi-Lume, Ecosystem or 3 Wire DLT=Hi-Lume Forward Phase 2-wire Dimming 120V DMX=DMX 0% Dimming 1000, 1500 and 2000 Lumen D010TR=120-277V 0-10V 10% Dimming or Leading Edge 120V Dimming	EMBOD=7W Bodine® Emergency Module with Remote Test Switch EM7=7W Emergency Module with Remote Test Switch EM14=14W Emergency Module with Remote Test Switch	ERW6A=6" Module for Wide Beam Reflector ERM6A=6" Module for Medium Beam Reflector ERN6A=6" Module for Narrow Beam Reflector	10=1000 Lumens 15=1500 Lumens 20=2000 Lumens 30=3000 Lumens	8=80 CRI 9=90 CRI	27=2700° K 30=3000° K 35=3500° K 40=4000° K 27CP=2700° K, Chicago Plenum 30CP=3000° K, Chicago Plenum 35CP=3500° K, Chicago Plenum 40CP=4000° K, Chicago Plenum 30D2W= Dim to warm 3000° K to 1850° K (2000 lumen and below, 90 CRI)

Reflector	Finish	Options	Accessories
6LW0=Wide Beam Reflector with White Polymer Trim Ring 6LW1=Wide Beam Reflector with Self Flange 6LM0=Medium Beam Reflector with White Polymer Trim Ring 6LM1=Medium Beam Reflector with Self Flange 6LN0=Narrow Beam Reflector with White Polymer Trim Ring 6LN1=Narrow Beam Reflector with Self Flange	LI=Specular Clear H=Semi-Specular Clear WMH=Warm Haze G=Specular Gold WH=Wheat WHH=Wheat Haze GP=Graphite GPH=Graphite Haze	B=Specular Black W=Gloss White <u>6LM0, 6LW0 Only</u> BB=Black Baffle WB=White Baffle	Self-flanged Only WF=White Painted Flange LGSKT6IP66=IP66 Gasket Kit ABR8P=Oversize Trim Ring for 8" max opening - 9.3" OD

- Notes: 1 Nominal Lumens will vary depending on selected color, driver and reflector finish.
2 Not available with Chicago Plenum.
3 Not CSA approved.

See Portfolio LED New Construction (LD6A Series) Specification Sheets for Photometric Data.

ENERGY

ENERGY DATA			
Sound Rating: Class A standards (Values at non-dimming line voltage)			
EMI/RFI: FCC Title 47 CFR, Part 15, Class B (Consumer) Input Voltage: UNV (120V - 277V)			
3000 Lumen DE010		2000 Lumen D010TE	
Minimum Starting Temperature: -20°C (-4°F)		Minimum Starting Temperature: -30°C (-22°F)	
Power Factor: >0.90 (at nominal input 120/230/240/277 VAC & 100% of Rated Output Power)		Power Factor: >0.90 (at nominal input 120-277 VAC & 100% of Rated Output Power)	
Input Power: 43.4W	THD: <17%	Input Power: 31.5W	THD: <20%
120V Input Current: .36A	277V Input Current: .16A	120V Input Current: .27A	277V Input Current: .12A
Maximum Non-IC Ambient Continuous		Maximum Non-IC Ambient Continuous	
Input Frequency: 50/60Hz		Input Frequency: 50/60Hz	
1300 Lumen D010TE		900 Lumen D010TE	
Minimum Starting Temperature: -30°C (-22°F)		Minimum Starting Temperature: -30°C (-22°F)	
Power Factor: >0.90 (at nominal input 120-277 VAC & 100% of Rated Output Power)		Power Factor: >0.90 (at nominal input 120-277 VAC & 100% of Rated Output Power)	
Input Power: 22.4W	THD: <20%	Input Power: 14.1W	THD: <20%
120V Input Current: .12A	277V Input Current: .08A	120V Input Current: .12A	277V Input Current: .06A
Maximum Non-IC Ambient Continuous		Maximum Non-IC Ambient Continuous	
Input Frequency: 50/60Hz		Input Frequency: 50/60Hz	

Lumens	120V		277V	
	Inrush (A)	Duration (ms)	Inrush (A)	Duration (ms)
900/1000	0.486	0.4	0.848	0.182
1300/1500	0.717	1.58	0.531	1.24
1800/2000	0.832	0.405	1.25	0.788
2800/3000	1.09	0.3	1.23	0.294

HOUSING COMPATIBILITY

Manufr.	Series	Nom. Size	Housing Aperture	Housing Catalog #	Ceiling Aperture	Retrofit Kit	Oversize Trim Ring
Cooper	Portfolio	6	6.000	C6, MD6, H760, HD6, MLW6, LD6	6" MIN 6-7/16" MAX	LD6ART	None
Cooper	PDS	6	6.000	PD6			
Philips	Omega	6	6.250	OM6			
Philips	Lightolier Calculite	6	6.313	S6, C6, B600			
Philips	Capri	6	6.438	CM6			
Cooper	Portfolio	7	7.700	C7, CLW7, HD7, MD7	6" MIN 9" MAX	LD6ART	ABR8 (accessory)
Juno	Indy Performance Series (Elate)	8	7.813	A8, C8, M8			
Juno		8	7.813	CH8 and CV8			
Cooper	Halo	8	7.875	H42T and H46T			
Juno		8	8.188	MX8 and TC908			
Lithonia	Gotham	8	8.438	AF and LG			
Lithonia	Gotham	8	8.563	GRSF			
Philips	Omega	8	8.563	OM8			
Lithonia	Commercial	8	8.563	LF8, LP8			

Note: Retrofit kit includes oversize trim ring.