

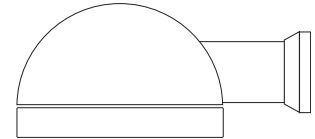
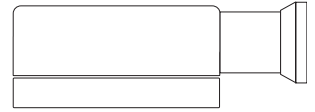
Notes:

Job:

Type:

# FORM 10 ROUND

## CW/MW WALL MOUNT



**GENERAL DESCRIPTION:** The Gardco wall mounted Round Form 10 products are cylindrical (CW) or semi-spherical (MW) cutoff luminaires using high intensity discharge lamps up to 1000 watts. Housings are one piece seamless spun aluminum and finished with either Architectural Class 1 anodizing or electrostatically applied polurethane. Luminaires can accept one of four (4) interchangeable and rotatable precision segmented optical systems.

**CUTOFF PERFORMANCE:** Flat glass lens luminaires provide full cutoff performance. Sag Lens luminaires provide cutoff performance.

### ORDERING

PREFIX	CONFIGURATION	DISTRIBUTION	WATTAGE	VOLTAGE	FINISH	OPTIONS

Enter the order code into the appropriate box above. Note: Gardco reserves the right to refuse a configuration. Not all combinations and configurations are valid. Refer to notes below for exclusions and limitations. For questions or concerns, please consult the factory.

### PREFIX

<b>CW17</b>	17 Spun Cylindrical Luminaire
<b>CW22</b>	22 Spun Cylindrical Luminaire
<b>MW17</b>	17 Spun Semi-Spherical Luminaire
<b>MW22</b>	22 Spun Semi-Spherical Luminaire

### CONFIGURATION

1 Single Assembly

### DISTRIBUTION

#### Horizontal Lamp

<b>1</b>	Type I
<b>3</b>	Type III
<b>4X<sup>1,2</sup></b>	Type IV (22 only)
<b>FM</b>	Type IV

1. 22 luminaires, 400w and below are supplied with flat glass lens standard. For wattages above 400w, "XF" extended flat glass lens is supplied standard.

2. MH/PSMH 400w Type 4X luminaires require the E28/BT28 reduced jacket lamp.

### WATTAGE

CW17	MW17	CW22	MW22
50MH <sup>3</sup>	50MH <sup>3</sup>	250MH	250MH
70MH <sup>3</sup>	70MH <sup>3</sup>	400MH	400MH
100MH <sup>3</sup>	100MH <sup>3</sup>	1000MH <sup>5,6,9</sup>	
150MH <sup>3</sup>	150MH <sup>3</sup>		250PSMH
175MH	175MH	250PSMH <sup>8</sup>	320PSMH <sup>8</sup>
200MH		320PSMH <sup>8</sup>	350PSMH <sup>8</sup>
250MH		350PSMH <sup>8</sup>	400PSMH
	70HPS	400PSMH	
70HPS	100HPS	750PSMH <sup>7</sup>	250HPS
100HPS	150HPS <sup>4</sup>	1000PSMH <sup>6,9</sup>	400HPS
150HPS <sup>4</sup>			
		250HPS	
		400HPS	
		750HPS <sup>5</sup>	

- Medium base lamp.
- Operates 55V lamp.
- Uses BT37 lamps only.
- Available with 4X optics only.
- M149. Requires MS750/PS/BU-HOR/BT37 Lamp.
- Requires E28/BT28 lamp.
- For 1000w CW22 w/4X optics, see warning below.

### VOLTAGE

<b>120</b>	<b>240</b>	<b>347</b>	<b>QUAD</b>
<b>208</b>	<b>277</b>	<b>480</b>	120/208/240/277, Factory tied to 277V.

MH	Metal Halide
PSMH	Pulse Start Metal Halide
HPS	High Pressure Sodium

Brand	Product Code	Catalog Number
Venture	53702	MS1000W/HOR/BT37/3K
G.E.	18205	MVR1000/U/BT37
Venture	15332	MH1000W/U/BT37

Brand	Product Code	Catalog Number
G.E.	10389	MVR1000/U/BT37/PA
Venture	49111	MS1000W/HOR/T25/PS

**WARNING: Use of other lamps voids warranty**

### FINISH

<b>BLA</b>	Black Anodized
<b>BRA</b>	Bronze Anodized
<b>NA</b>	Natural Anodized
<b>BRP</b>	Bronze Paint
<b>BLP</b>	Black Paint
<b>NP</b>	Natural Aluminum Paint
<b>WP</b>	White Paint
<b>OC</b>	Optional Color Paint Specify RAL designation. ex: OC-RAL7024.
<b>SC</b>	Special Color Paint Specify. Must supply color chip.

### OPTIONS

<b>F</b>	Fusing N/A above 400w	<b>HS</b>	Internal Houseside Shield Supplied standard with FM optics. N/A above 400w or with other optics
<b>PC</b>	Photocontrol and Receptacle N/A with 480V or MW units.	<b>QS<sup>10</sup></b>	Quartz Standby
<b>PCR</b>	Photocontrol Receptacle only N/A with MW units.	<b>QST<sup>10</sup></b>	Quartz Standby - Timed Delay 10. 400w maximum HID.
<b>POLY</b>	Polycarbonate Sag Lens In lieu of flat glass. N/A with 4X optics or 750w or 1000w units.		
<b>XF</b>	Extended Flat Glass Lens Flat Glass lens with extended drop. Allows for the use of a larger lamp and still meet IES Full cutoff classification.		
<b>SG</b>	Sag Glass Lens In lieu of flat glass.		

Gardco Lighting reserves the right to change materials or modify the design of its product without notification as part of the company's continuing product improvement program. The 4X optical system is protected by U.S. patent number 5690422.

© Copyright Gardco Lighting 2001-2007. All Rights Reserved. International Copyright Secured.

Genlyte Group

**Gardco Lighting**  
1611 Clovis Barker Road  
San Marcos, TX 78666

800/227-0758  
512-753-1000  
Fax: 512-753-7855  
www.sitelighting.com



79115-41/0707

# FORM 10 ROUND

## CW/MW WALL MOUNT

### SPECIFICATIONS

**GENERAL:** Each Gardco Form 10 wall mounted Hardtop is a cylindrical (CW) or semi-spherical (MW) cutoff luminaire for high intensity discharge lamps. Internal components are totally enclosed, rain-tight, dust-tight and corrosion resistant. No venting of optical system or electrical components is required or permitted. Luminaires are completely assembled with no disassembly required for installation. Lamping requires no lifting or hinging the luminaire housing, disturbing wiring or exposing uninsulated live parts.

**HOUSING:** Housing is one piece, .100 (.25 cm) seamless aluminum with integral rolled circumferential reveal and lower section aperture incorporating a returned flange stiffener to protect against housing edge deformation. Units are offered in profiles of 17 (43.18 cm) or 22 (55.88 cm) diameter.

**WALL BRACKET:** Hooking diecast aluminum wall bracket conceals 10 ga. mounting plate. Extruded arm extends unit from wall and includes integral channel which captures tie rods for proper luminaire alignment.

**LENS:** One piece, diecast aluminum door frame retains the optically clear, heat and impact resistant tempered flat glass, extended flat glass, sag glass or sag polycarbonate lens in a sealed manner using hollow section, high compliance, memory retentive extruded silicone rubber. Concealed stainless steel hinge and two (2) fasteners secure lens assembly to luminaire.

**OPTICAL SYSTEMS:** The segmented Form Ten optical system is homogeneous sheet aluminum, electrochemically brightened, anodized and sealed. The segmented reflectors are set in faceted arc tube image duplicator

patterns to achieve IES Types 1 (1), III (3), and IV (FM, and 4X) distributions. The mogul base lampholder is glazed porcelain with a nickel plated screw shell - all securely attached to the reflector assembly. 50MH, 70MH and 100MH units have medium base lampholders. All Metal Halide units in the 22 housings have lamp stabilizers ensuring precise arc tube positioning.

**ELECTRICAL:** Each high power factor ballast is the separate component type, capable of providing reliable lamp starting down to -20°F/-29°C. The ballast is mounted on a unitized tray and secured within the luminaire, above the reflector system. Component-to-component wiring within the luminaire will carry no more than 80% of rated current and is listed by UL for use at 600 VAC at 301°F/150°C or higher. Plug disconnects are listed by UL for use at 600 VAC, 15A or higher.

**FINISH:** Anodized housings are created with an Aluminum Association Architectural Class I anodizing process to achieve a bronze, black or natural aluminum finish. Painted units are finished with hardcoat, fade resistant, electrostatically applied polyurethane.

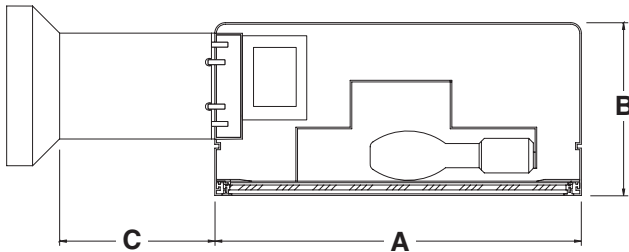
**LABELS:** All luminaires bear UL or CUL (where applicable) Wet Location labels.

**FULL CUTOFF PERFORMANCE:** Full cutoff performance means a luminaire distribution where zero candela intensity occurs at an angle of 90° above nadir. Additionally, the candela per 1000 lamp lumens does not numerically exceed 100 (10 percent) at a vertical angle of 80° above nadir. This applies to all lateral angles around the luminaire.

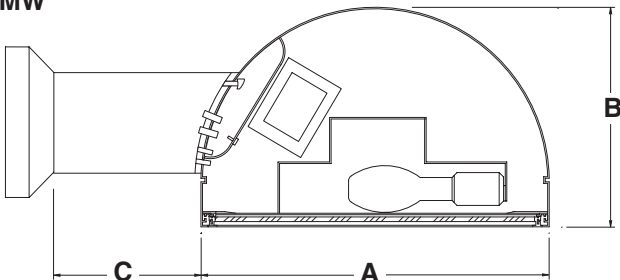
**CUTOFF PERFORMANCE:** Cutoff performance means a luminaire distribution where the candela per 1000 lamp lumens does not numerically exceed 25 (2.5 percent) at an angle at or above 90° above nadir, and 100 (10 percent) at a vertical angle of 80° above nadir. This applies to all lateral angles around the luminaire.

### DIMENSIONS

#### CW

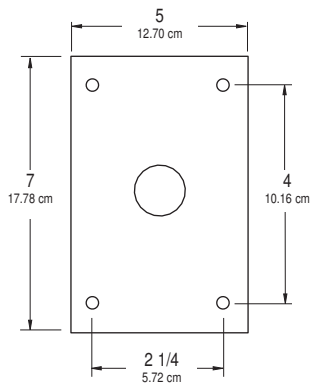


#### MW



CW Style				Weight Single
Size	A	B	C	
17	17	8	7.5	28 lbs
	43.18 cm	20.32 cm	19.05 cm	12.70 cm
22	22	11	7.5	44 lbs
	55.88 cm	27.94 cm	19.05 cm	19.96 cm

MW Style				Weight Single
Size	A	B	C	
17	17	11	7.5	29 lbs
	43.18 cm	27.94 cm	19.05 cm	13.15 cm
22	22	14	7.5	45 lbs
	55.88 cm	35.56 cm	19.05 cm	20.41 cm



Gardco Lighting reserves the right to change materials or modify the design of its product without notification as part of the company's continuing product improvement program. The 4X optical system is protected by U.S. patent number 5690422.

© Copyright Gardco Lighting 2001-2007. All Rights Reserved. International Copyright Secured.

Genlyte Group

**Gardco Lighting**  
1611 Clovis Barker Road  
San Marcos, TX 78666

(800) 227-0758  
(512) 753-1000  
FAX: (512) 753-7855  
www.sitelighting.com



79115-41/0707