

Notes:

Job:

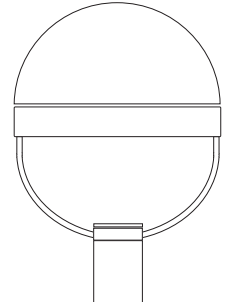
Type:

GLOWTOP

CPG/MPG/MPGL POST TOP MOUNT

GENERAL DESCRIPTION: Each Gardco Form 10 yoke mounted Glowtop is an 18" diameter cylindrical (CPG) or semi-spherical (MPG) performance cutoff luminaire with translucent top section providing a soft uplight glow. Lantern style (MPGL) unit includes a cast crown, which creates a classic architectural form. All luminaires utilize high intensity discharge lamps rated to 250 watts. Internal components are totally enclosed, rain-tight, dust-tight and corrosion resistant. Luminaires can accept one of four (4) interchangeable and rotatable precision segmented optical systems.

CUTOFF CLASSIFICATION: Gardco post top mounted Glowtop luminaires provide cutoff performance.



ORDERING

PREFIX	CONFIGURATION	DISTRIBUTION	WATTAGE	VOLTAGE	FINISH	OPTIONS
<input type="text"/>	<input type="text"/>	<input type="text"/>	<input type="text"/>	<input type="text"/>	<input type="text"/>	<input type="text"/>
Enter the order code into the appropriate box above. Note: Gardco reserves the right to refuse a configuration. Not all combinations and configurations are valid. Refer to notes below for exclusions and limitations. For questions or concerns, please consult the factory.						<input type="text"/>

PREFIX

- CPG18** 18" Cylindrical Glowtop Luminaire
MPG18 18" Semi-Spherical Glowtop Luminaire
MPGL18 18" Semi-Spherical Glowtop Luminaire with Lantern

CONFIGURATION

- 1 Single Assembly

NOTE:
 CPG/MPG/MPGL luminaires are compatible with Gardco (P)RA4.5-STB and (P)RA4.5-HB poles only.

DISTRIBUTION

- 1 Type I
 3 Type III
 FM Type IV
 Q Type V

WATTAGE

- | | | | |
|--------------------|---------------------|-----|--|
| 50MH ¹ | 70HPS | MH | Metal Halide |
| 70MH ¹ | 100HPS | HPS | High Pressure Sodium |
| 100MH ¹ | 150HPS ³ | | 1. Medium base lamp.
2. 120V or 277V only - F can ballast.
3. Operates 55V lamp. |
| 150MH ¹ | | | |
| 175MH | | | |
| 200MH | | | |
| 250MH ² | | | |

VOLTAGE

- | | | |
|-----|-----|---|
| 120 | 240 | 480 |
| 208 | 277 | 480V available with 70HPS and 100 HPS only. |

FINISH

- BRP** Bronze Paint
BLP Black Paint
NP Natural Aluminum Paint
WP White Paint
OC Optional Color Paint
 Specify RAL designation as shown in Color Selection Guide. ex: OC-RAL7024.
SC Special Color Paint
 Specify. Must supply color chip.

OPTIONS

- F** Fusing
HS Internal Houseside Shield
 Supplied standard with FM optics.
POLY Polycarbonate Sag Lens
 In lieu of flat glass.
GRC Glow Rings - Clear
GRY Glow Rings - Yellow
GRG Glow Rings - Green
GRR Glow Rings - Red

Gardco Lighting reserves the right to change materials or modify the design of its product without notification as part of the company's continuing product improvement program.

© Copyright Gardco Lighting 2001-2007. All Rights Reserved. International Copyright Secured.

A Genlyte Company

Gardco Lighting
 2661 Alvarado Street
 San Leandro, CA 94577

800/227-0758
 510/357-6900 in California
 Fax: 510/357-3088
 www.sitelighting.com



79115-37/0707

GLOWTOP

CPG/MPG/MPGL POST TOP MOUNT

SPECIFICATIONS

GENERAL DESCRIPTION: Each Gardco Form 10 yoke mounted Glowtop is an 18" diameter cylindrical (CPG) or semi-spherical (MPG) performance cutoff luminaire with translucent top section providing a soft upright glow. Lantern style (MPGL) unit includes a cast crown, which creates a classic architectural form. All luminaires utilize high intensity discharge lamps rated to 250 watts. Internal components are totally enclosed, rain-tight, dust-tight and corrosion resistant. No venting of optical system or electrical components is required or permitted. Lamping requires no lifting or hinging the luminaire housing, disturbing wiring or exposing uninsulated live parts.

HOUSING: Upper section is high impact resistant, white molded seamless acrylic providing a uniform upright glow. Lower component is one piece, seamless spun aluminum incorporating a returned flange stiffener to protect against housing edge deformation.

YOKE: The 9/16" diameter parallel yokes of high strength, low mass schedule 40 steel are precision contoured to match the CPG or MPG housing silhouette. Yoke assembly is designed for mounting compatibility with Thomas PRA 4.5" style pole and welds or fasteners are not visible at the luminaire or pole attachment. Yoke is electrogalvanized and coated with satin black polyurethane.

LENS: One piece, diecast aluminum door frame retains the optically clear, heat and impact resistant tempered flat glass in a sealed manner using hollow section, high compliance, memory retentive extruded silicone rubber. Concealed stainless steel hinge and two (2) fasteners secure lens assembly to luminaire.

OPTICAL SYSTEMS: The segmented Form Ten optical system is homogeneous sheet aluminum, electrochemically brightened, anodized and sealed. The segmented reflectors are set in faceted arc tube image duplicator patterns to achieve IES Types I, III, IV and V distributions. The mogul base lampholder is glazed porcelain with a nickel plated screw shell—all securely attached to the reflector assembly. 50MH, 70MH, 100MH and 150MH units have medium based lampholders.

ELECTRICAL: Each high power factor ballast is capable of providing reliable lamp starting down to -20° F. The ballast is mounted on a unitized tray and is housed within the 4½" pole shaft. Component-to-component wiring within the luminaire will carry no more than 80% of rated current and is listed by UL for use at 600 VAC at 150°C or higher. Plug disconnects are listed by UL for use at 600 VAC, 15A or higher.

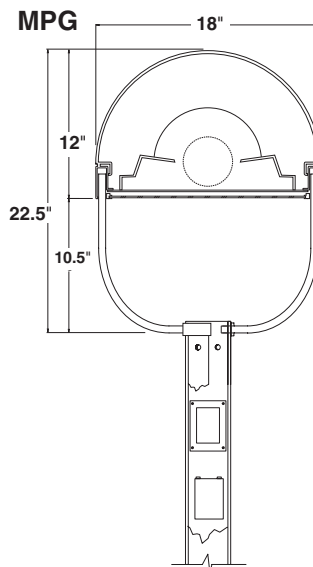
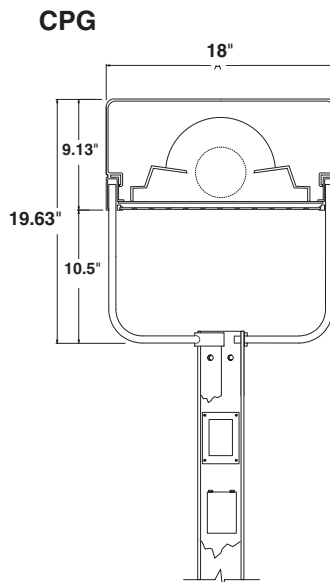
FINISH: Housings are rotationally burnished before painting so spinning lines or grooves created by multiple forming passes are not evident. Internal welds will not distort or discolor external surfaces. Paint is hardcoat, fade resistant, electrostatically applied polyurethane.

LABELS: All luminaires bear UL or CUL (where applicable) Wet Location labels.

FULL CUTOFF PERFORMANCE: Full cutoff performance means a luminaire distribution where zero candela intensity occurs at an angle of 90° above nadir. Additionally, the candela per 1000 lamp lumens does not numerically exceed 100 (10 percent) at a vertical angle of 80° above nadir. This applies to all lateral angles around the luminaire.

CUTOFF PERFORMANCE: Cutoff performance means a luminaire distribution where the candela per 1000 lamp lumens does not numerically exceed 25 (2.5 percent) at an angle at or above 90° above nadir, and 100 (10 percent) at a vertical angle of 80° above nadir. This applies to all lateral angles around the luminaire.

DIMENSIONS



	EPA	Weight
CAG	.9	27
MAG	.9	27

Gardco Lighting reserves the right to change materials or modify the design of its product without notification as part of the company's continuing product improvement program.

© Copyright Gardco Lighting 2001-2007. All Rights Reserved. International Copyright Secured.

A Genlyte Company

Gardco Lighting
2661 Alvarado Street
San Leandro, CA 94577

800/227-0758
510/357-6900 in California
Fax: 510/357-3088
www.sitelighting.com



79115-37/0707