

# G A S K I N S

S I T E L I G H T I N G



GARDCO  
LIGHTING



That this series bears the name of its creator is fitting tribute to one of lighting's recognized design visionaries. Indeed, Bob Gaskins has devoted his career to design and his mission is singular, uncompromising and clear. His is an unmistakable style, a brilliant harmony of form and function. Now, and rightfully so, a signature collection to crown a legacy. The Gaskins Series.

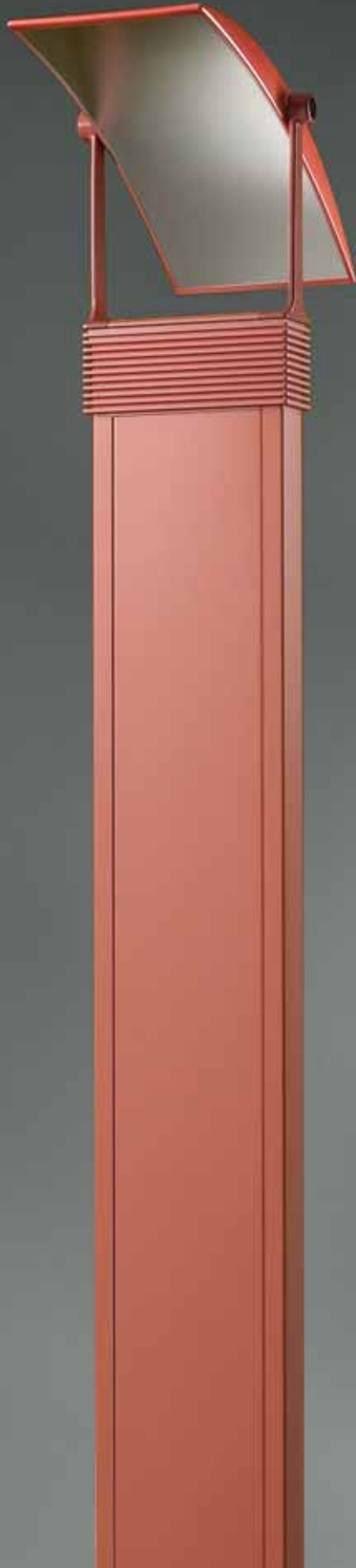
The Gaskins Series is a groundbreaking collection of luminaires conceived as equal parts art, architecture and illumination. They will define entries to landmark buildings. Line pedestrian thoroughfares. Everywhere, they will make an arrival and environmental statement that says, this is new. This is different. This is exciting.

The Gaskins Series is a new frontier. A collection of luminaires that is suggestive of custom designed projects, yet provides the confidence of precise manufacturing controls and enduring quality.

In short, an illuminating and entirely satisfying way to enliven both day and nighttime environments.



GS03  
ADJUSTABLE INDIRECT



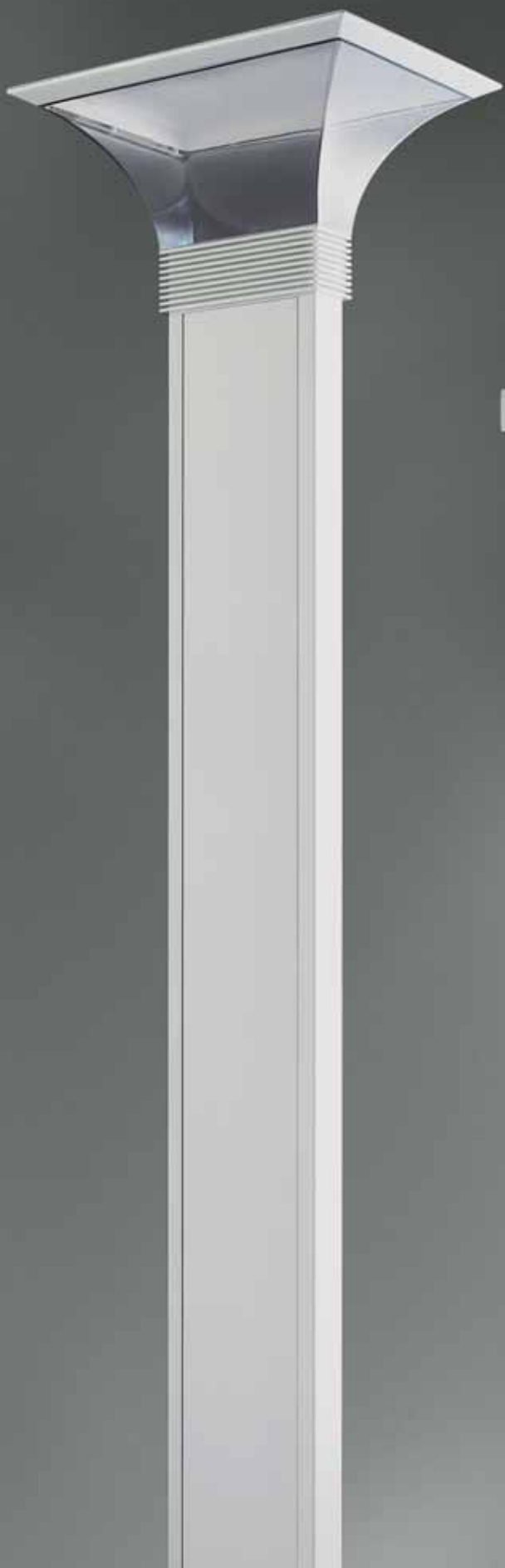
GS03  
ADJUSTABLE INDIRECT



GS01A  
1/2/3/4-WAY



GS04  
TORCHIERE



GS02  
TWIN, INTEGRATED ARM



GS01  
SINGLE, INTEGRATED ARM





## GS01

A series so well conceived that it does not repurpose die castings – each casting is individual throughout the entire series. Every component purpose-built.

The GS01 is a single luminaire, its profile a ribbon that grows seamlessly from the base through a soft radius to the luminaire. The architectural tower, a sheathed aluminum standard reinforced with full hollow interior extrusions, is incredibly stable.



## GS01A

There will be applications where existing poles (minimum 3 inch diameter) can be elegantly retrofitted so that the entire site can share a single design aesthetic. This is artfully accomplished with the minimally scaled optical system and housing and a hollow section dual radius mounting arm. As with each of the Gaskins Series area lighting luminaires, there are three distributions, IES Types II, III and IV in patented Gardco high performance XL optics.

# G S O 1 / G S O 2 / G S O 1 A

## GS02

Concealed fasteners, die cast hardware. Subtle material transitions. These are the essence of the Gaskins Series. Their effect is elegant, seamless, sculptural. Luminaires quite unlike any before them. Evidence the twin configuration, here showing an elegant twin transition which eliminates the appearance of a mounting arm. It is a perfect symmetry, inviting to the eye from every angle. And, in wattages to 150w metal halide, eminently practical.

Both the GS01 and GS02 meet IESNA full cutoff criteria.

# GS01/02/01A CONSTRUCTION

The Gaskins Series represents the lifetime experience not only of its designer, but also nearly 50 years of accumulated design-team and field application at Gardco Lighting.



Simplicity of form conceals inner strength. Clean lines and minimal scale belie high performance. And subtle detailing tells little of the inner workings of what may be the most sophisticated luminaire on the market today. From top to bottom, inside and out, thoughtful attention to details and long term integrity reach new heights in the Gaskins Series.





At the perimeter of the mechanically secured lens a memory retentive, one-piece silicone gasket prevents dirt, dust and insects from penetrating the sealed optical chamber.

The slim lines of the Gaskins Series owe in part to Form Ten XL optics. However thin, there is no sacrifice in performance, with optical packages available for both HID and fluorescent lamps. Fluorescent lamps provide for instant on switching.

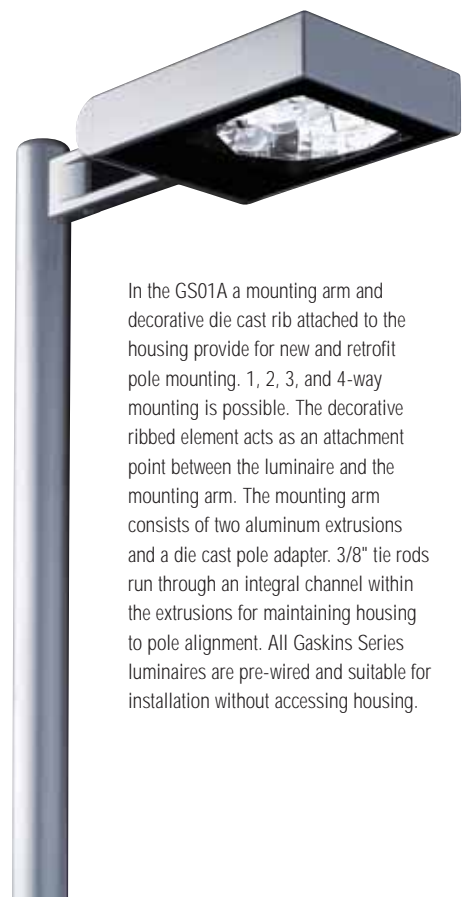
Toolless, push button release allows the lens to swing away for easy access to the optical system.

GS01 and GS02 luminaires meet IESNA full cutoff criteria.

The housing is a single aluminum die casting. The 90° or 180° arm to the luminaire is integrated to both luminaire and mounting column – there is no apparent arm .

Standard throughout the Series are durable textured polyester powdercoat finishes. The semi-gloss finish is electrostatically applied and thermally cured and each component is perfectly matched for texture and color. It is durable, proven and can make a compelling architectural statement or blend into the landscape.

The architectural tower deserves special mention. Two hollow section high strength 6063-T6 aluminum extrusions are interlocked with 1/8" aluminum panels, which are permanently fixed with adhesive silicone. The sealant itself is structural to enhance tower strength and rigidity.



In the GS01A a mounting arm and decorative die cast rib attached to the housing provide for new and retrofit pole mounting. 1, 2, 3, and 4-way mounting is possible. The decorative ribbed element acts as an attachment point between the luminaire and the mounting arm. The mounting arm consists of two aluminum extrusions and a die cast pole adapter. 3/8" tie rods run through an integral channel within the extrusions for maintaining housing to pole alignment. All Gaskins Series luminaires are pre-wired and suitable for installation without accessing housing.

# AREA LIGHTING OPTICS

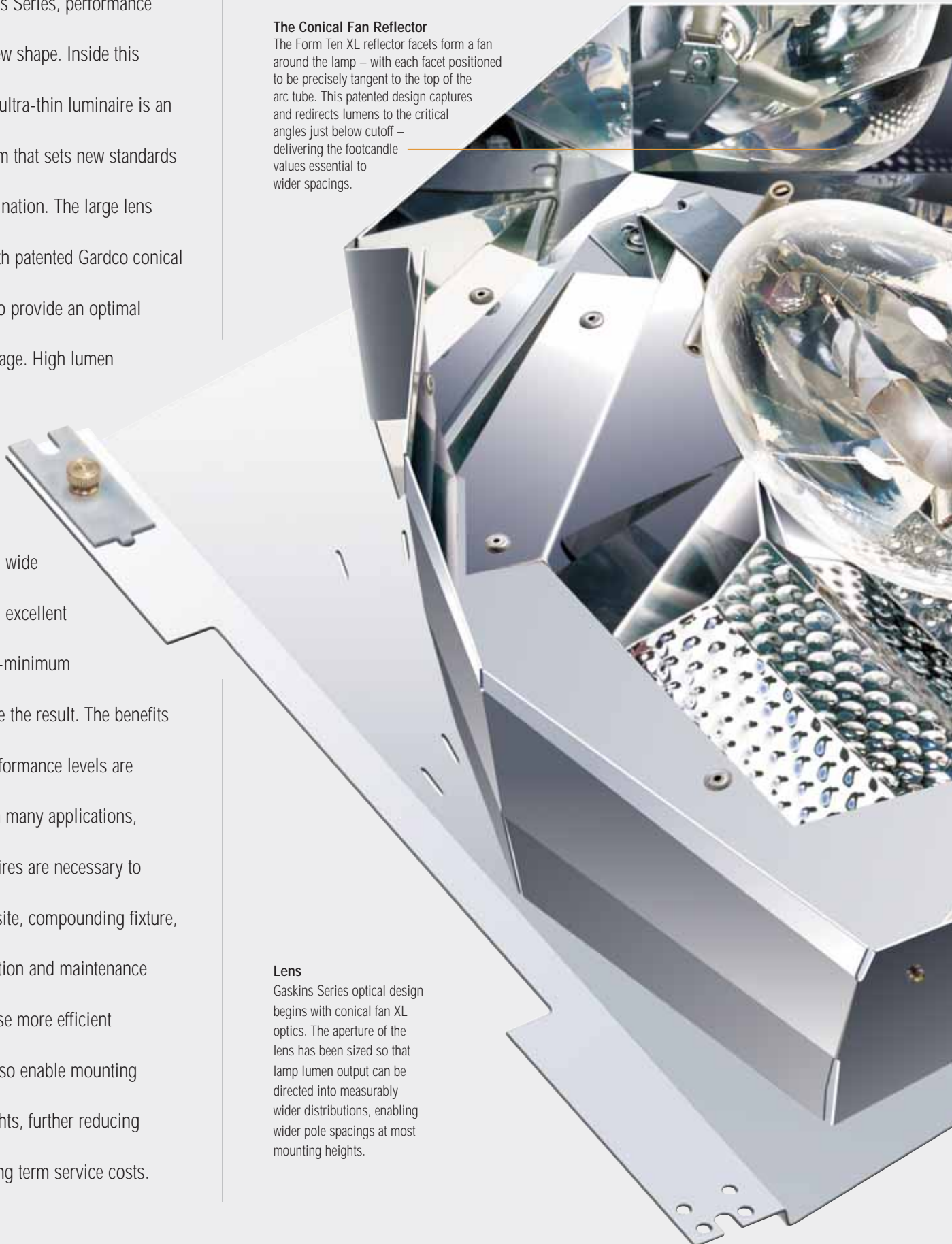
In the Gaskins Series, performance takes on a new shape. Inside this streamlined, ultra-thin luminaire is an optical system that sets new standards for site illumination. The large lens combines with patented Gardco conical "XL" optics to provide an optimal lighting package. High lumen lamps to 150w MH, full cutoff glare control, wide spacings and excellent maximum-to-minimum uniformity are the result. The benefits of higher performance levels are numerous. In many applications, fewer luminaires are necessary to illuminate a site, compounding fixture, pole, installation and maintenance savings. These more efficient luminaires also enable mounting at lower heights, further reducing initial and long term service costs.

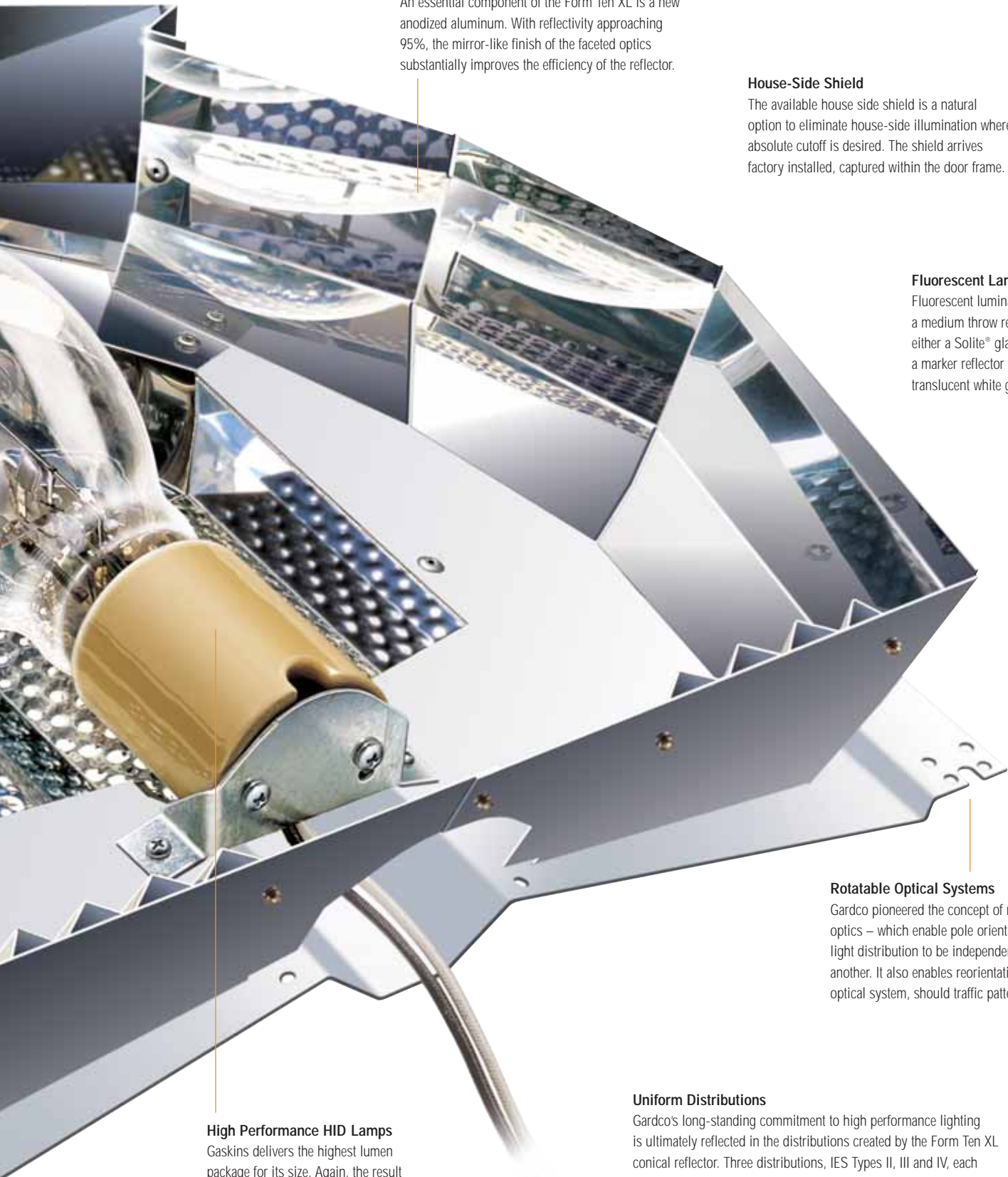
## The Conical Fan Reflector

The Form Ten XL reflector facets form a fan around the lamp – with each facet positioned to be precisely tangent to the top of the arc tube. This patented design captures and redirects lumens to the critical angles just below cutoff – delivering the footcandle values essential to wider spacings.

## Lens

Gaskins Series optical design begins with conical fan XL optics. The aperture of the lens has been sized so that lamp lumen output can be directed into measurably wider distributions, enabling wider pole spacings at most mounting heights.





### Highly Reflective Material

An essential component of the Form Ten XL is a new anodized aluminum. With reflectivity approaching 95%, the mirror-like finish of the faceted optics substantially improves the efficiency of the reflector.

### House-Side Shield

The available house side shield is a natural option to eliminate house-side illumination where absolute cutoff is desired. The shield arrives factory installed, captured within the door frame.

### Fluorescent Lamps

Fluorescent luminaires employ a medium throw reflector with either a Solite® glass lens or a marker reflector with a translucent white glass lens.

### Rotatable Optical Systems

Gardco pioneered the concept of rotatable optics – which enable pole orientation and light distribution to be independent of one another. It also enables reorientation of the optical system, should traffic patterns change.

### High Performance HID Lamps

Gaskins delivers the highest lumen package for its size. Again, the result is better performance, wider spacings and lower overall project cost.

### Uniform Distributions

Gardco's long-standing commitment to high performance lighting is ultimately reflected in the distributions created by the Form Ten XL conical reflector. Three distributions, IES Types II, III and IV, each provide exceptionally wide and uniform illumination free from hot spots and striations. Maximum-to-minimum ratios are excellent, and there is full cutoff at the required angle for each distribution. Gaskins Series luminaires with Form Ten XL optics meet IESNA full cutoff criteria.

# ANYTHING BUT PEDESTRIAN



## GS03

In what is certain to be the most captivating of all Gaskins Series luminaires, the adjustable indirect reflector provides aiming of the distribution across a 60° range. The reflector is seated in the top of the architectural tower to provide comfortable illumination for both horizontal and vertical surfaces.



## GS04

The torchiere brings fresh new perspectives to indirect site lighting.

A secure reflective top cover captures a highly reflective, glare free optic.

An injection molded acrylic lens is secured to the tower top casting.

The wide distribution optical system is seated into the top of the tower.

The ballast is conveniently located in the base section of the tower.

## P4

Available for both the GS03 indirect luminaire and the GS04 torchiere, the pole-top mounting option offers the architect yet another handsome option to enliven both the day and nighttime environment. A cast aluminum transition is designed to slip into a Gardco 4" pole with no exposed fasteners, no visible hardware.





# OPEN FORMS



A new and dramatic addition to the Gaskins Series is the open tower... a design unique and distinctive in the modern day world of pedestrian scale luminaires. The effect is to create exceptionally elegant forms that are immediately lighter in appearance than their closed form counterparts.

The construction is no less sturdy, for the columns are high strength extruded aluminum with the same rugged base and column top engineering. As one considers these forms, note the interior eased edge of the tower design, a treatment that flows all around the interior edge. The open tower. A new and striking addition certain to distinguish any project.

# INDIRECT / ADJUSTABLE GS03

While every luminaire in the Gaskins Series makes a statement, the indirect GS03 does so with an emphatically contemporary flair.

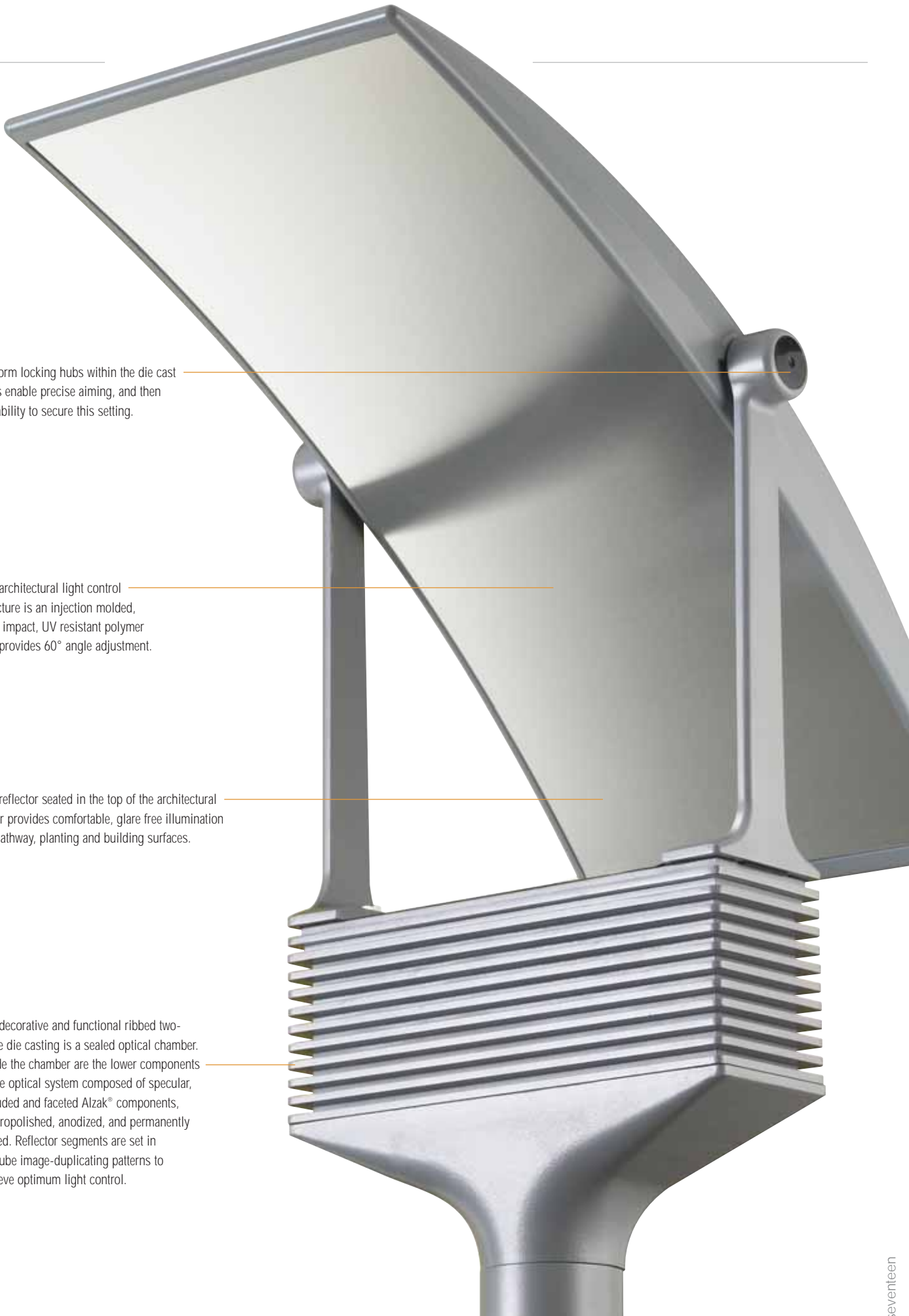
Soaring above the luminaire on die cast arms is a light control panel permanently bonded to an architectural structure, which is adjustable across a 60° range.

In tandem with the lower optical components, this dramatic system creates a symmetrical pattern of light around the luminaire. T6 lamps with a G12 base and pulse rated porcelain lampholders assure a stable, uniform and constant color lighting pattern.

With its open form tower, selection of stylish and enduring finishes, this is a luminaire that satisfies those with a flair for the dramatic that is equally grounded in the practical.







Uniform locking hubs within the die cast arms enable precise aiming, and then the ability to secure this setting.

The architectural light control structure is an injection molded, high impact, UV resistant polymer and provides 60° angle adjustment.

The reflector seated in the top of the architectural tower provides comfortable, glare free illumination for pathway, planting and building surfaces.

The decorative and functional ribbed two-piece die casting is a sealed optical chamber. Inside the chamber are the lower components of the optical system composed of specular, extruded and faceted Alzak® components, electropolished, anodized, and permanently sealed. Reflector segments are set in arc tube image-duplicating patterns to achieve optimum light control.

# INDIRECT GS04 TORCHIERE

The Gaskins Series Torchiere satisfies a range of pedestrian-scaled lighting requirements where illumination of the nighttime environment is as important

as daytime appearance. The Torchiere accomplishes this with a choice of either a solid or open tower mounting, each offering a dramatic departure from traditional lighting forms. Complemented by the distinctive base, and flawlessly finished, these are landmark lighting statements. By night, Torchiere elegantly accomplishes that effect so desirable in the low mounting height, pedestrian setting – wide uniform indirect lighting distribution free of glare, with a soft glow to the lens that identifies the source of illumination.





The crowned top cap houses the downlight reflector, and hinges to the top of the tapered lens window. A continuous memory retentive silicone gasket assures that dirt, dust and insects will not enter the optical chamber. The crowned top prevents water from pooling. It is securely fastened to the reflector panel in twelve locations.

The reflector provides for wide and uniform downlight. Uplight is controlled within the perimeter of the reflector, and so the luminaire is suitable for dark sky locations.

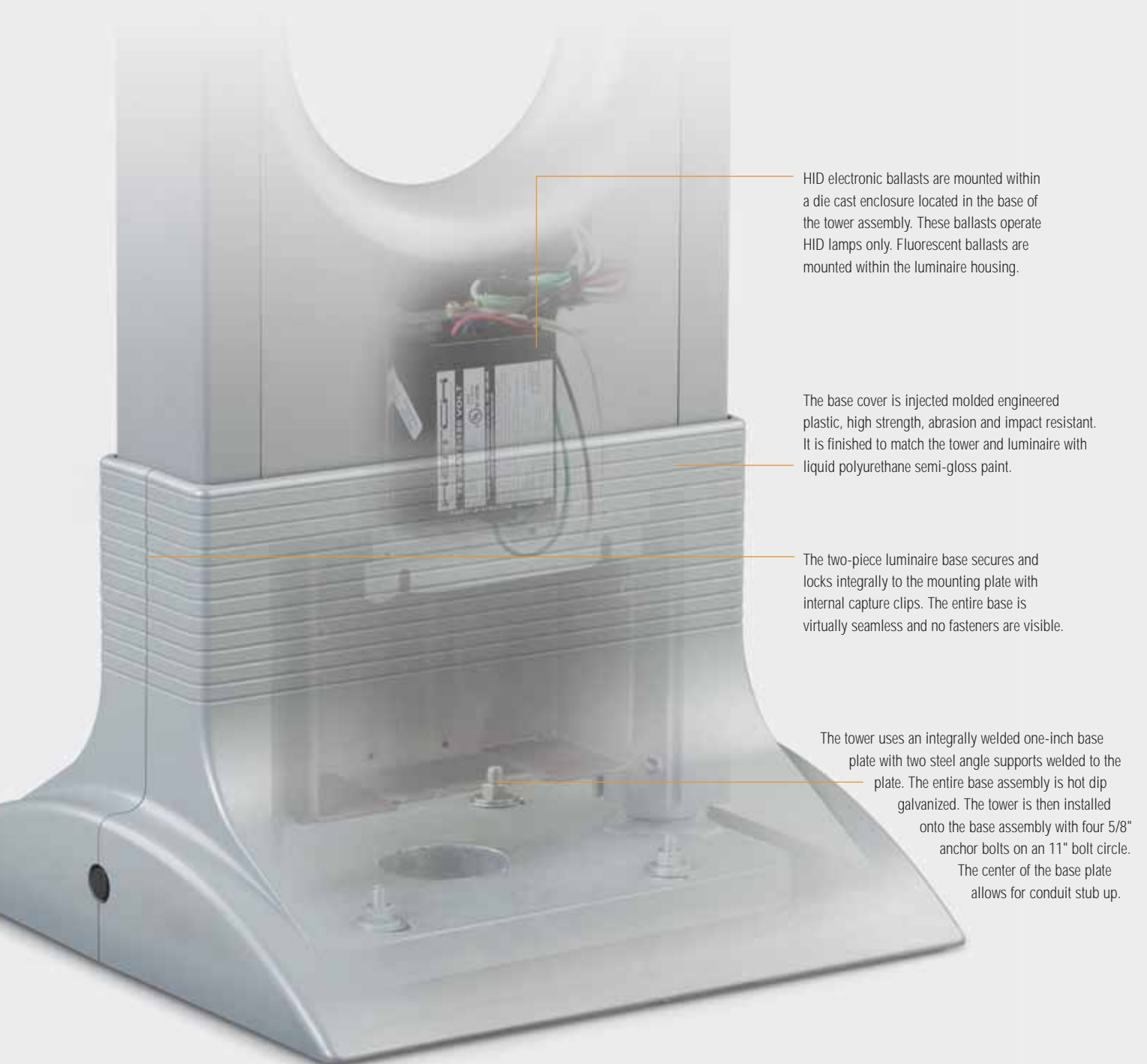
The dramatic flared lens of the Torchiere is impact-resistant injection molded acrylic. It provides a soft glow to the night time pedestrian, identifying the source of illumination along with the glare-free distribution Gardco is known for.

The interior uplight optics include trademark specular Alzak reflectors set in an arc tube image-duplicating pattern. The downlight panel is highly reflective and provides a wide and uniform distribution.

In the GS04 the ribbed transition collar is not only decorative, but functional, for here it is the housing for the optical system. The system will accept HID lamps to 150w CMHE T-6, which is ideal for this application, providing stable color rendering and long life in a small envelope. The ballast assembly is contained in the base.

# BASE

Each of the Gaskins Series rectilinear towers shares a common base component. The tapered form includes integral ribs to mirror the corresponding collar architecture. Subtle eased edges enhance the very sleek and sculptural appearance of the Gaskins towers. Most ingenious is the complete absence of visible mounting hardware, a design permitted by internal capture clasps that mate the two housing pieces to the heavy duty mounting base.



HID electronic ballasts are mounted within a die cast enclosure located in the base of the tower assembly. These ballasts operate HID lamps only. Fluorescent ballasts are mounted within the luminaire housing.

The base cover is injected molded engineered plastic, high strength, abrasion and impact resistant. It is finished to match the tower and luminaire with liquid polyurethane semi-gloss paint.

The two-piece luminaire base secures and locks integrally to the mounting plate with internal capture clips. The entire base is virtually seamless and no fasteners are visible.

The tower uses an integrally welded one-inch base plate with two steel angle supports welded to the plate. The entire base assembly is hot dip galvanized. The tower is then installed onto the base assembly with four 5/8" anchor bolts on an 11" bolt circle. The center of the base plate allows for conduit stub up.

# SPECIFICATIONS

**GENERAL DESCRIPTION:** The Gaskins Series is a line of pedestrian scale luminaires for area and accent illumination.

**GS01/GS02:** The GS01 luminaire is a low-profile square shape for single mounting. The GS02 luminaire is a low-profile twin-style luminaire oriented in a 180° configuration.

The housing is one-piece die cast aluminum. A tempered flat glass lens assembly is mechanically retained and hinged within the housing. The hinge is die cast aluminum. A one-piece molded silicone gasket seals the lens assembly to the housing to prevent intrusion by moisture, dust and insects. A one-piece die casting attaches to the housing assembly and the tower creating a smooth transition between tower and luminaire. A one-piece die cast cover is used to enclose wiring.

The optional decorative ribs are die cast and attach to the tower with (4) 5/16" bolts.

**GS01A:** The GS01A is an arm-mounted version of the GS01 model of the Gaskins Series for use when a standard style round or square pole with a minimum 3" diameter. The housing is one-piece die cast aluminum. A tempered flat glass lens assembly is mechanically retained and hinged within the housing. The hinge is die cast aluminum. A one-piece molded silicone gasket seals the lens assembly to the housing to prevent intrusion by moisture, dust and insects. A decorative die cast ribbed element is attached to the back of the housing. This decorative element acts as an attachment point between the luminaire and the mounting arm. The mounting arm consists of two aluminum extrusions and a die cast pole adapter. 3/8" tie rods run through an integral channel within the extrusions for maintaining housing to pole alignment. Luminaires are pre-wired and suitable for installation without accessing housing.

**GS03:** The GS03 luminaire is a low-profile adjustable indirect luminaire.

A decorative and functional ribbed one-piece die casting is attached to the top of the tower with four (4) 5/16" bolts. This ribbed assembly encloses the lower components of the optical system. An additional upper casting at the top of the ribs acts as a base for the lens casting. The lens casting contains a clear tempered glass lens, which is mechanically secured and silicone sealed. The upper casting also anchors the die cast aluminum supports for the architectural light control structure. The architectural light control structure is an injection molded, high impact, UV resistant polymer and provides 60° angle adjustment.

**GS04:** The GS04 luminaire is a torchiere-style luminaire.

A decorative and functional ribbed one-piece die casting is attached to the top of the tower with four (4) 5/16" bolts. This ribbed assembly encloses the optical system and supports the torchiere lens. The torchiere lens is injection molded V825-HID and DR acrylic with a minimum thickness of 1/8". The crowned top is a high impact UV resistant injection molded polymer. The top is fully sealed using an extruded silicone gasket and is hinged for lamp access.

**TOWER ASSEMBLY:** The tower uses a 1" steel base plate with two (2) steel angle supports welded to the plate. The entire base assembly is hot dipped galvanized. Minimum wall thickness for extrusions is .17".

The tower is installed using four (4) 5/8" anchor bolts on an 11" bolt circle. A 3" diameter hole is provided in the center of the base plate to allow for conduit stub-up. The tower base is protected by a high-impact, UV resistant polymer 2-piece cover.

**Solid Tower:** Die formed 1/8" aluminum panels interlock with two (2) 60063-T6 aluminum extrusions to create the closed tower. An adhesive silicone sealant is applied during assembly between the panels and the extrusions to create a permanent seal along the entire length of the tower. The sealant material is structural to enhance tower strength and rigidity.

**Open Tower:** Die cast aluminum caps and jointers retain two (2) extruded aluminum side rails. These rails are interlocking with an adhesive silicone sealant applied along the entire length of the tower.

**P4 Mounting:** (GS03/GS04 only) A cast aluminum transition is designed to slip into a Gardco 4" round aluminum pole with no exposed fasteners.

**HID SOURCE OPTICAL SYSTEMS:** The segmented optical systems are manufactured from homogenous sheet aluminum, which has been electrochemically brightened, anodized and sealed. The multifaceted arc image duplicating systems are designed to produce IES Types II (2XL), III (3XL), and IV (4XL). The reflector facets form a conical fan around the arc tube with each facet positioned to be precisely tangent to the top of the arc tube.

The medium base lampholder is glazed porcelain with a nickel plated screw shell.

The GS03 and GS04 reflector is composed of specular, extruded and faceted Alzak® components, electropolished, anodized, and sealed. Reflector segments are set in arc tube image duplicating patterns to achieve light control. For the GS03, an additional reflector is permanently bonded to the architectural light control structure, which, in tandem with the lower optical components, creates a symmetrical pattern of light around the luminaire. T6 lamps use a G12 base with pulse rated porcelain lampholders.

**FLUORESCENT SOURCE OPTICAL SYSTEMS:** Fluorescent luminaires use either a medium throw reflector with a Solite® glass lens (MTS) or a marker reflector with a translucent white glass lens (MWD).

**ELECTRICAL:** GS01/GS02: HID electronic ballasts are mounted within a die cast enclosure located in the base of the tower assembly. GS01A: Ballast is located within the luminaire. Electronic ballasts operate ceramic metal halide lamps only.

Each HID high power factor ballast is the separate component type, capable of providing reliable lamp starting down to -20°F (-29°C). Component to component wiring within the luminaire will carry no more than 80 percent of rated current and is listed by U.L. for use at 600 VAC at 150° C or higher. Plug disconnects are listed by U.L. for use at 600 VAC, 15 Amp or higher.

Fluorescent ballasts are mounted in the luminaire. All fluorescent luminaires utilize electronic high power factor ballasts designed for reliable lamp starting to 0°F (-18° C). Fluorescent units have a starting temperature of 0°F (-18°C) Fluorescent ballasts are solid state.

**FINISH:** Each standard color luminaire receives a fade and abrasion resistant electrostatically applied thermally cured triglycidal isocyanurate (TGIC) textured semi-gloss polyester powdercoat finish. Standard colors include Bronze (BRP), Black (BLP), White (WP), Natural Aluminum (NP), Beige (BGP), Light Sandstone (LSP), Dark Sandstone (DSP), Red Brick (RBP), Light Granite (LGP) and Dark Granite (DGP).

The polymeric cover at the tower base is painted with a liquid polyurethane semi-gloss paint.

Consult factory for specifications on custom colors.

**LABELS:** All luminaires bear U.L. or C.U.L. (where applicable) Wet Location labels.

# ORDERING

Example	PREFIX	TOWER	CONFIGURATION	HEIGHT	DISTRIBUTION	WATTAGE	VOLTAGE	FINISH	RIBBED CASTING	OPTIONS
	GS01	ST	1	8'	2XL	50CMHE	UNIV	BRP	WR	SG
	GS01	ST	1 (GS01)	8'	HID	HID	UNIV'	BRP DSP	WR	SG
	GS02	OT	2 (GS02)	10'	2XL	50CMHE		BLP RBP	with ribbed casting	TWG
				12'	3XL	70CMHE		WP LGP	LR	
					4XL	100CMHE		NP DGP	less ribbed casting	
					Fluorescent	150CMHE		BGP OC		
					MTS	Fluorescent		LSP SC		
					MWD	(2)60CF				
						(2)42TRF				
						C40T5				

Example	PREFIX	CONFIGURATION	DISTRIBUTION	WATTAGE	VOLTAGE	FINISH	OPTIONS
	GS01A	1	2XL	35HPS	120	BRP	SG
	GS01A	1	HID	HID	120	BRP DSP	SG
		2	2XL	35HPS 50MH	208	BLP RBP	TWG
		2 @ 180°	3XL	50HPS 70MH	240	WP LGP	
		3	4XL	70HPS 100MH	277	NP DGP	
		3 @ 120°	Fluorescent	100HPS 150MH	347	BGP OC	
		4	MTS	150HPS	480	LSP SC	
		W	MWD	Fluorescent	UNIV'		
				(2)60CF			
				(2)42TRF			
				C40T5			

Example	PREFIX	TOWER	CONFIGURATION	HEIGHT	DISTRIBUTION	WATTAGE	VOLTAGE	FINISH
	GS03	ST	1	8'	5ID	T70CMHE	UNIV	BRP
	GS03	ST	1	8'	5ID	HID	UNIV'	BRP DSP
	GS04	OT		10'		T70CMHE		BLP RBP
		P4		12'		T150CMHE		WP LGP
								NP DGP
								BGP OC
								LSP SC

1. Fluorescent and CMHE units are provided with a ballast that accepts 120 through 277V, 50hz or 60hz.

## TOWER

ST	Solid Tower
OT	Open Tower
P4	P4 Post Top Mount

## WATTAGE KEY

MH	Metal Halide
HPS	High Pressure Sodium
CMHE	Ceramic Metal Halide with electronic ballast
T-CMHE	T6 Ceramic Metal Halide with electronic ballast
(2)60CF	(2) 60w Compact Fluorescent (MTS only, 120 through 277V)
(2)42TRF	(2) Triple Tube Compact Fluorescents (MTS only, 120 through 277V)
C40T5	40w Circular T5 Fluorescent (MWD only, 120 through 277V)

## OPTIONS

SG	Solite Glass (Solite is a Registered Trademark of AFG Industries)
TWG	Translucent White Glass

## CONFIGURATION

1	Single Assembly
2	Twin Assembly
2@90	Twin @ 90°
3	Triple Assembly
3@120	Triple @ 120°
4	Quad Assembly
W	Wall Mount, Recessed J-Box

## DISTRIBUTION

2XL	IES Type II
3XL	IES Type III
4XL	IES Type IV, Forward Throw
MTS	Medium Throw with Solite Lens ((2)60CF and (2)42TRF only)
MWD	Medium Throw with White Diffuse Glass Lens (C40T5 only)
51D	IES Type V Indirect

## FINISH (PAINTED)

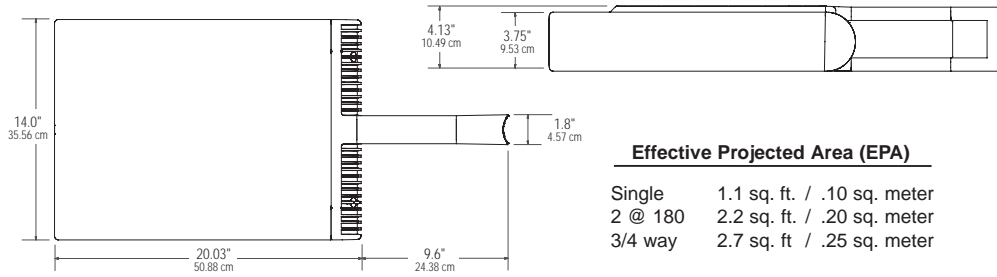
BRP	Bronze	RBP	Red Brick
BLP	Black	LGP	Light Granite
WP	White	DGP	Dark Granite
NP	Natural Aluminum	OC	Optional Color
BGP	Beige		Specify. RAL Designation
LSP	Light Sandstone	SC	Special Color
DSP	Dark Sandstone		Specify. Must supply color chip

Prior to ordering, consult Submittal Data on [sitelighting.com](http://sitelighting.com) for most current information.

Garco Lighting reserves the right to change materials or modify the design of its product without notification as part of the company's continuing product improvement program.

# DIMENSIONS

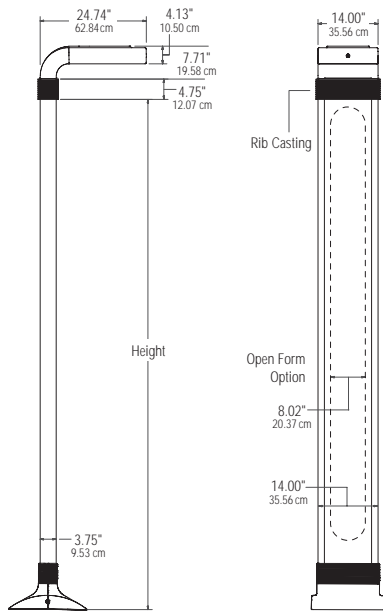
GS01A



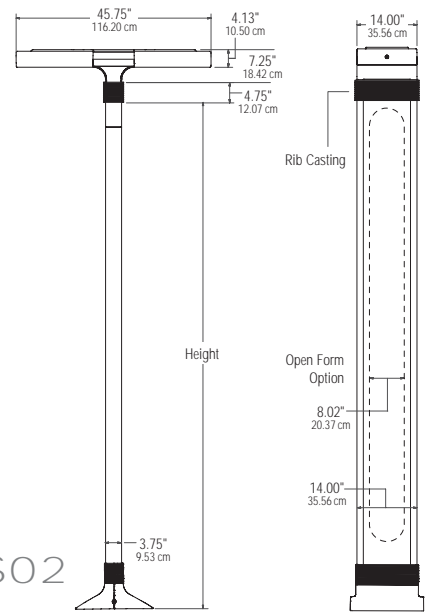
**Effective Projected Area (EPA)**

Single	1.1 sq. ft. / .10 sq. meter
2 @ 180	2.2 sq. ft. / .20 sq. meter
3/4 way	2.7 sq. ft. / .25 sq. meter

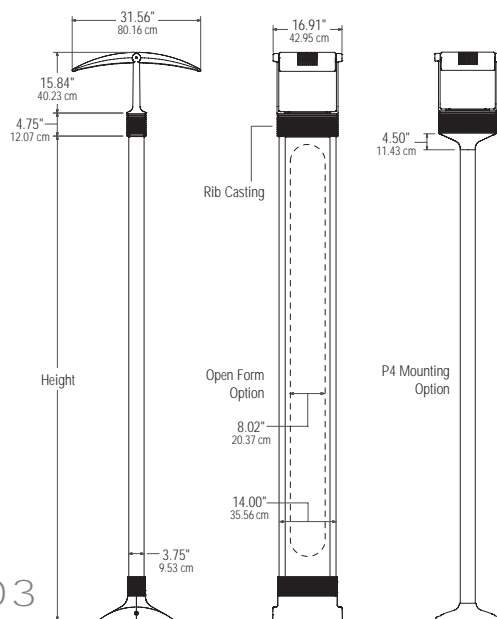
GS01



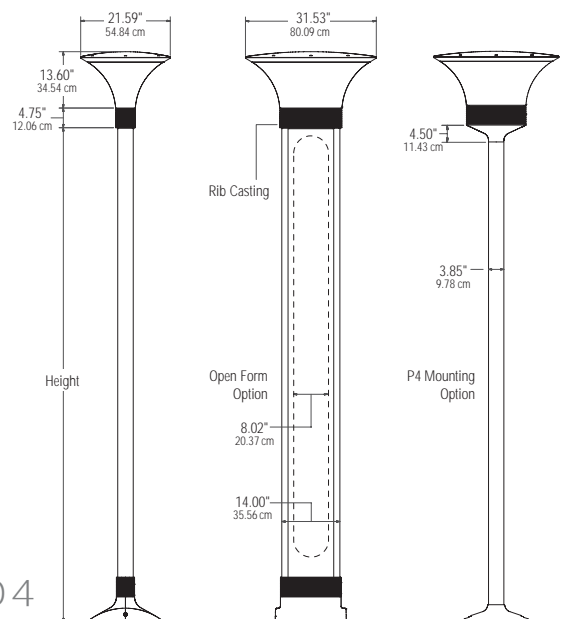
GS02



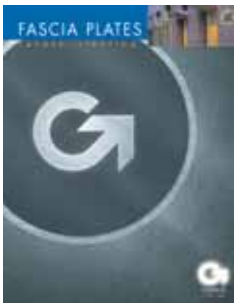
GS03



GS04



Fascia Plates



Form 10 Round



100 Line Sconces



Bollards



1611 Clovis Barker Road  
San Marcos, TX 78666  
512/753-1000  
800/227-0758  
Fax: 512/753-7855  
[www.sitelighting.com](http://www.sitelighting.com)



© Gardco Copyright 2007  
Genlyte Group  
All Rights Reserved.  
International Copyright Secured.  
79304-19/0407