

DESIGNER FLOOD

SPOT & FLOODLIGHTING



GARDCO
LIGHTING

DESIGNER FLOODLIGHT





The Gardco Designer Floodlight provides remarkable floodlighting performance and control from a soft, handsome and exceptionally



compact architectural form – 16 and 21 inches in width. The graceful styling and

elimination of decorative elements assures that these

luminaires blend effortlessly with landscapes and architecture.

Whether ground, wall or pole mounted, its timeless form is always

appropriate. It is performance however that

distinguishes Gardco and the Designer

Floodlight. With metal halide and high

pressure sodium lamps to 750W and choice of nine

precision optical systems, the Designer Floodlight provides

the opportunity for unprecedented light control, higher

illumination levels and wider, cost-saving luminaire spacings.



CONSTRUCTION

One-Piece Housing

The rugged, one-piece die cast aluminum housing was specifically engineered to endure the most tenacious vandal or careless gardener.

Efficient Reflector Systems

Precise optical distributions frequently enable use of lower wattage fixtures than would have been necessary with other products.

Fewer Luminaires Required

High efficiency optics permit extremely wide luminaire spacings that may help reduce fixture quantities. This translates into reduced fixture and lamp costs, as well as savings in installation, maintenance and energy.



Heavy Duty Knuckle

The knuckle is the Achilles' Heel of the common floodlight – where even a slight impact can snap or bend the assembly. Gardco's structural, die cast aluminum knuckle withstands hard knocks and abusive treatment.

Straightforward Installation

The Designer Floodlight is shipped from the factory with the ballast installed and pre-wired. Every luminaire is thoroughly tested to ensure proper electrical operation.

Competitive Pricing

Highly tooled components and state-of-the-art manufacturing processes make the price of the Designer Floodlight competitive with products of lesser quality.

Threats to a low-level luminaire's appearance and performance are numerous and the Designer Floodlight addresses each with thoughtful design and construction features. The result is a luminaire that outperforms and outlasts other floodlights.



Vandal Resistant Closures

Recessed allen head bolts complete a tight, secure, tamper-resistant package.

Die Cast Door

A one-piece die cast aluminum door frame secures an impact-resistant tempered glass lens.

Simple Maintenance

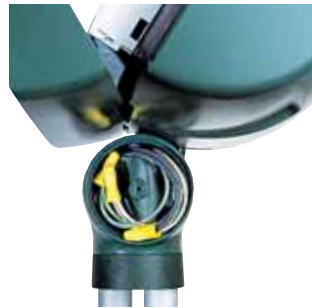
The door swings wide open for ease of maintenance – without disturbing the floodlight aiming angle.



The die cast knuckle assembly secures the luminaire to mounting inserts – stanchion, pole top adapter, twin arm bracket or wall/ceiling canopies.



Textured polyester powdercoat finishes repel moisture, corrosives and ultraviolet rays.



Wire splices are easily made in the spacious splice compartment, which is suitable for through-circuit wiring. No auxiliary junction box is required. Gaskets secure the wiring compartment against moisture.



The luminaire is thoroughly sealed and gasketed at every point of entry and material transition to exclude moisture, dust, pollutants and insects.



A single hex head bolt is tightened to secure aiming. Incremental aiming marks are provided in the casting to ease parallel alignment of multiple fixtures.



An optional polycarbonate lens protects the optical system against vandalism and in areas where accidental impacts are frequent.

OPTICS

Higher Light Levels

The Gardco Floodlight accepts both metal halide and high pressure sodium lamps to 750W. Using these high lumen packages creates application opportunities unmatched by typical 400W products.

Uniform Light Levels

Precisely faceted reflectors generate extremely uniform lighting levels of 3:1, 6:1 and 12:1 maximum-to-minimum, depending on the requirements of the specific application.

Clean Pattern Appearance

Typically, HID luminaires produce streaks, striations and color separations in floodlighting patterns which are not evident in photometric reports. Gardco's precise positioning of specular reflector facets, in combination with selective use of hammer-toned material, ensures clean, unstriated patterns.

Control of Unwanted Glare

Nine optical systems are available, each providing sharp visual cutoff to the lamp and the lamp images at normal viewing angles. Luminaires are easily placed behind landscape or architectural elements, as well as on poles or walls above eye level.

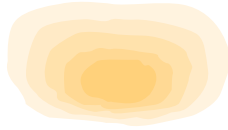
This mounting flexibility allows the shielding of lamp brightness in most any installation.

An optional cutoff hood and internal louver system are available for critical brightness control.



APPLICATION

DF 7



DF 1 2



Every floodlighting project is unique – with different requirements for light levels, uniformity, color characteristics and special lighting effects. Of course, setbacks and spacings will vary with luminaire and lamp selected. Consult the Designer Floodlight application guide for proper specification data.

Horizontal Flood

The optical system of choice for providing broad even floodlighting illumination to horizontal surfaces from setbacks of 8' to 30', or for area lighting applications where wide luminaire spacings are desired. Typical applications include 1-2 story buildings, parking lots, freight yards and security lighting.

Vertical Flood

This optical system achieves a taller distribution from setbacks of 8' to 35'. In addition, it provides an excellent distribution for area lighting applications where a greater forward projection is desired. Building floodlighting, monuments, tennis courts and swimming pools are common applications.

Medium Flood

The medium flood provides a symmetrical distribution and is designed for illuminating architecture from setbacks of 20' to 60'. These luminaires are frequently employed for illuminating churches, storefronts and historical buildings.

Narrow Spot

The narrow spot distribution creates an intense and symmetrical beam, providing the opportunity to highlight from considerable distances of 40' to 150'. In addition, this distribution allows for downlighting from extraordinary mounting heights of 60' to 100'. Flagpoles, towers and downlighting of atriums are common applications.

Horizontal Spot

This wide yet highly concentrated beam is extremely versatile. It is appropriate for lighting facades or architectural details where setbacks of 20' to 80' are necessary. In addition, horizontal wall washing and grazing effects are possible with closer setbacks of 6' to 20'. When used in combination with the HFL reflector, it is possible to achieve wide area coverage with highly uniform patterns. Typical applications include floodlighting 1-2 story buildings, wall washing 4-8 story buildings and security lighting.

DF7 ORDERING

example	PREFIX	MOUNTING	DISTRIBUTION	WATTAGE	VOLTAGE	FINISH	OPTIONS
	DF7	ST	HFL	175MH	120	BRP	CH
	DF7	Omit Mounting Code if ordering floodlight only.	HFL Horizontal Flood (N/A w/250w) VFL Vertical Flood	70HPS 100HPS 150HPS	120 208 240	BRP BLP WP	PCB BD CH
		C Stub-up Conduit Mount J J-Box Mount	HSP Horizontal Spot NSP Narrow Spot	70MH 100MH 150MH	277 347 (N/A 250W)	NP VP	POLY F
		W Wall/Ceiling Canopy Mount	FLM Fluorescent Medium (Fluorescent wattages only)	150MH 175MH 250MH		OC SC	ESB
		WMB Wall Mount Bullhorn W90 Wall Arm Mount ST Stanchion Mount SM Surface Mount Stanchion					
				(Uses ED-18 or T15 Mogul Base Lamps. N/A w/HFL Distribution, or PCB, POLY, F or ESB options.)			
				26QF* 32TRF* 42TRF* 70CF*			
				*(FLM optics only)			

MOUNTING NOTES

- C** Stub-up Conduit Mount. For direct mounting to (2) 1/2" or 3/4" GRC or IMC conduits. No j-box required. Must use factory supplied mounting insert when setting stub-ups.
- J** J-Box Mount. For mounting into 1/2" hub. Also suitable for direct surface mount to walls or ceilings when fed by EMT, BX, SJO, NM, etc. (For surface mount over outlet box, specify W or W90 mount).
- W** Wall/Ceiling Canopy Mount. For mounting over (not to) a 4" recessed outlet box. When mounted on vertical surface, provides vertical aiming from straight down to 100° up from nadir. When mounted on a vertical surface, long axis of luminaire must be horizontal (+/-30°). Mounts directly to wall or ceiling. The surface structure must be suitable to support the luminaire. Only suitable for use on non-combustible surfaces.
- WMB** Wall Mount Bullhorn. For mounting over (not to) a 4" recessed outlet box. Provides full axial 180° vertical and 358° rotational aiming range. Mounts direct to wall. Surface structure must be suitable to support the luminaire. When mounted in wet locations, luminaire must be mounted as shown in diagrams on opposite page.
- W90** Wall Arm Mount. For mounting over (not to) a 4" recessed outlet box. Provides full axial 180° vertical and 358° rotational aiming range. Mounts direct to wall. Surface structure must be suitable to support the luminaire. When mounted in wet locations, luminaire must be mounted as shown in diagrams on opposite page. In damp or dry locations, arm assembly may be inverted.
- ST** Stanchion Mount. 18" stanchion for in-ground concrete burial mounting.
- SM** Surface Mount Stanchion. For mounting to 18" stanchion pole assembly.

FINISH

- BRP** Bronze Paint
- BLP** Black Paint
- NP** Natural Aluminum Paint
- WP** White Paint
- VP** Verde Green Paint
- OC** Optional Color Paint
Specify RAL designation.
ex. OC-RAL7024
- SC** Special Color Paint
(Must supply color chip)

OPTIONS

- PCB** Button Type Photocontrol
(N/A w/250W or above 277V)
- BD*** Barn Doors
- CH*** Cutoff Hood
*Barn Doors (BD) and Cutoff Hoods (CH) are supplied BRP with BRP luminaires and BLP with all other finishes. Either can be used concurrently with the Polycarbonate Shield (POLY)
- POLY** Polycarbonate Shield (N/A w/250W)
- F** Fusing (N/A w/250W or above 277V)
- ESB** Extended Splice Box
(Supplied standard w/250W.
Not available for use as additional splicing volume.)

ADDITIONAL MOUNTING ACCESSORIES

- PTA** Pole top 2 3/8" tenon adapter
- TAB** Twin arm bracket for use with ST or PTA
- PT2** Pole top 2 3/8" tenon adapter for twin back to back luminaire mounting.

DF7 POLE LOADING DATA

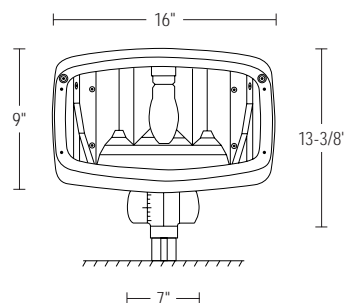
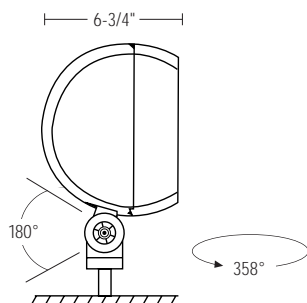
	EPA ft ²
Single Luminaire on PTA Adapter	1.3
Twin Luminaires on PT2 Adapter	1.9
Twin Luminaires on TAB Adapter	2.8

DF7 SPLICE COMPARTMENT WIRE CAPACITY

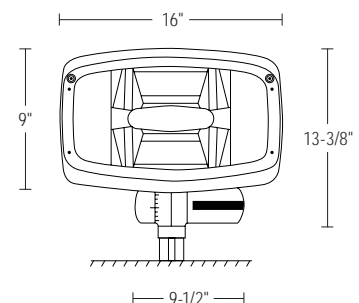
	Standard Units	Extended Splice Box	250W units
#12 AWG Conductors*	5	9	5
#10 AWG Conductors*	3	7	3

*Including ground

DIMENSIONS

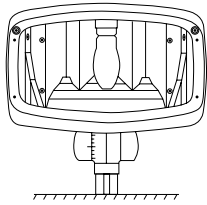


70W - 175W UNITS



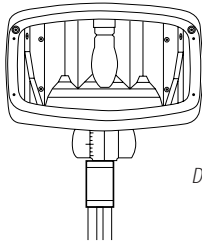
250W UNITS

C = STUB-UP CONDUIT MOUNT



DF7-C

J = J-BOX MOUNT

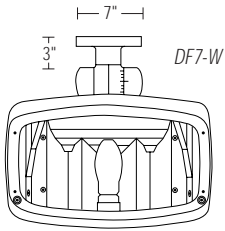


DF7-J

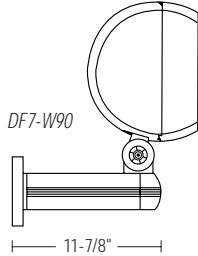
W = WALL/CEILING CANOPY MOUNT

W90 = WALL ARM MOUNT

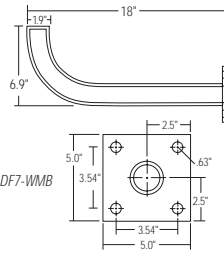
WMB = WALL MOUNT BULLHORN



DF7-W

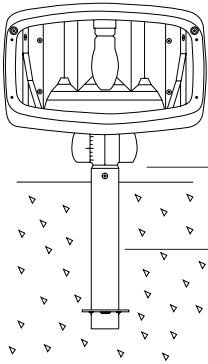


DF7-W90



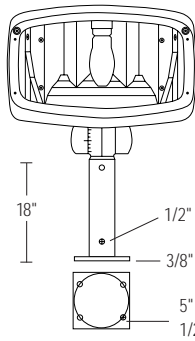
DF7-WMB

ST = STANCHION MOUNT



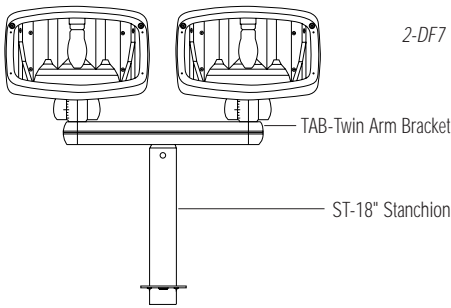
2" to 12"
ST-18" Stanchion

SM = SURFACE MOUNT STANCHION



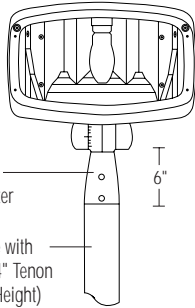
18"
1/2" NPT
3/8" thick
5" Bolt Circle for 1/2" Bolts (by others)

POLE MOUNTING WITH ACCESSORIES



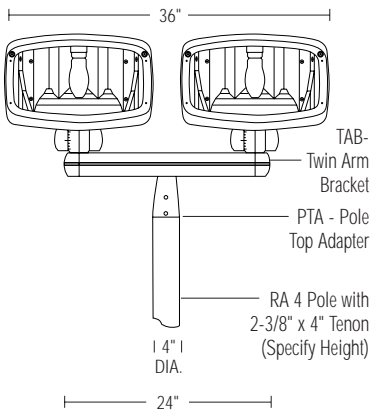
2-DF7

TAB-Twin Arm Bracket
ST-18" Stanchion



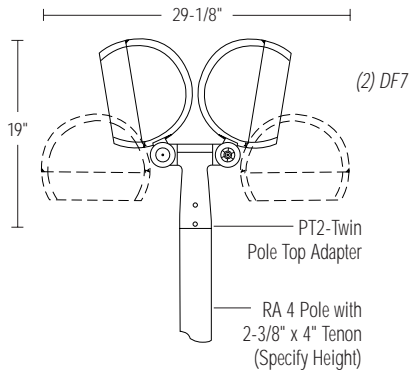
DF7

PTA-Pole Top Adapter
RA 4 Pole with 2-3/8" x 4" Tenon (Specify Height)



(2) DF7

36"
24"
1 4" DIA.
TAB-Twin Arm Bracket
PTA - Pole Top Adapter
RA 4 Pole with 2-3/8" x 4" Tenon (Specify Height)



(2) DF7

29-1/8"
19"
PT2-Twin Pole Top Adapter
RA 4 Pole with 2-3/8" x 4" Tenon (Specify Height)



Stub-Up conduit mounts without J-Box so luminaire can be mounted at grade.



Stanchion mounting for heights of 2" to 12" above grade, and for in-concrete placement.



Surface Mount Stanchion for wall, roof or concrete surface mounting – 18" length – anchor bolt mounting.

J-Box for mounting into 1/2" hub, and for mounting directly to walls, ceilings, trees or sides of straight square poles.



The minimal profile **Wall/Ceiling Canopy** mount for downlighting.



Wall Arm Mount or Wall Mount Bullhorn enables full vertical and horizontal aiming, and may be used for wall-washing effects.



Pole Top style with smooth tapered adapter is designed for mounting to 4" round poles with a standard 2-3/8" tenon. Shown here with optional barn doors.



Twin Back-to-Back pole mount is a natural choice for median-mounted luminaires downlighting adjacent parking areas.



Twin Arm Bracket provides flexibility for mounting pole-top or to ground stanchion. Full directional and rotational aiming, including uplight and downlight in combination.

DF12 ORDERING

PREFIX	MOUNTING	DISTRIBUTION	WATTAGE	VOLTAGE	FINISH	OPTIONS
example DF12	ST	HFL	400MH	120	BRP	CH
DF12	Omit Mounting Code if ordering floodlight only. W Wall/Ceiling Canopy Mount WMB Wall Mount Bullhorn W90 Wall Arm Mount ST Stanchion Mount SM Surface Mount Stanchion	HFL Horizontal Flood VFL Vertical Flood ¹ MFL Medium Flood HSP Horizontal Spot ¹ NSP Narrow Spot	250MH 400MH 750MH 250PSMH 320PSMH 350PSMH 400PSMH 750PSMH 250HPS 400HPS 750HPS	120 208 240 277 347 480	BRP BLP WP NP VP OC SC	PCB CH POLY F ESB LV QS
			1. Available in 400 watt and lower ONLY.			

MOUNTING NOTES

- W** Wall/Ceiling Canopy Mount. For mounting over (not to) a 4" recessed outlet box. When mounted on vertical surface, provides vertical aiming from straight down to 100° up from nadir. When mounted on a vertical surface, long axis of luminaire must be horizontal (+/-30°). Mounts directly to wall or ceiling. The surface structure must be suitable to support the luminaire. Only suitable for use on non-combustible surfaces.
- WMB** Wall Mount Bullhorn. For mounting over (not to) a 4" recessed outlet box. Provides full axial 180° vertical and 358° rotational aiming range. Mounts direct to wall. Surface structure must be suitable to support the luminaire. When mounted in wet locations, luminaire must be mounted as shown in diagrams on opposite page.
- W90** Wall Arm Mount. For mounting over (not to) a 4" recessed outlet box. Provides full axial 180° vertical and 358° rotational aiming range. Mounts direct to wall. Surface structure must be suitable to support the luminaire. When mounted in wet locations, luminaire must be mounted as shown in diagrams on opposite page. In damp or dry locations, arm assembly may be inverted.
- ST** Stanchion Mount. 18" stanchion for in-ground concrete burial mounting.
- SM** Surface Mount Stanchion. For mounting to 18" stanchion pole assembly.

FINISH

- BRP Bronze Paint
- BLP Black Paint
- NP Natural Aluminum Paint
- WP White Paint
- VP Verde Green Paint
- OC Optional Color Paint
Specify RAL designation
ex. OC-RAL7024
- SC Special Color Paint
(Must supply color chip)

OPTIONS

- PCB Button Type Photocontrol
(N/A above 400W)
- CH* Cutoff Hood
*Cutoff Hoods (CH) are supplied BRP with BRP luminaires and BLP with all other finishes. Can be used concurrently with the Polycarbonate Shield (POLY)
- POLY Polycarbonate Shield
(N/A w/750W. Should be replaced every 3-4 years)
- F Fusing (N/A above 400W)
- ESB Extended Splice Box
- LV Internal Louvers
(MFL, HSP and NSP only)
- QS Quartz Restrike (N/A above 400W)

Options must be ordered with the luminaire. These cannot be added later without field modification.

ADDITIONAL MOUNTING ACCESSORIES

- PTA Pole top 2 3/8" tenon adapter
- TAB Twin arm bracket for use with ST or PTA
- PT2 Pole top 2 3/8" tenon adapter for twin back to back luminaire mounting.

DF12 POLE LOADING DATA

	EPA ft ²
Single Luminaire on PTA Adapter	2.6
Twin Luminaires on PT2 Adapter	3.7
Twin Luminaires on TAB Adapter	5.6

DF12 SPLICE COMPARTMENT WIRE CAPACITY

	Standard Units	Extended Splice Box
#12 AWG Conductors*	5	9
#10 AWG Conductors*	3	7

*Including ground

LIGHT CONTROL OPTIONS

CUTOFF HOOD



Provides sharp cutoff of source brightness

POLYCARBONATE SHIELD



For critical vandal areas.
Note: Shield may discolor and require replacement every 2-3 years.

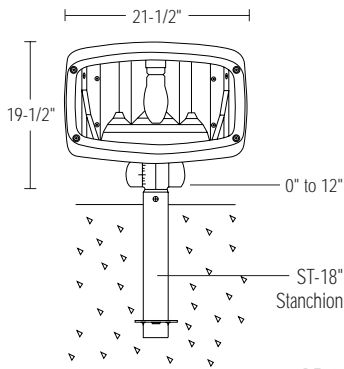
NARROW SPOT WITH INTERNAL LOUVER



Louver provides control of stray light beyond specified beam. Internal mounting design eliminates accumulation of leaves and dirt and deters vandalism.

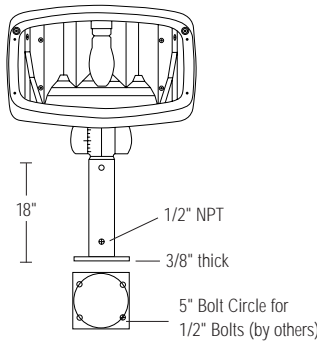
DF12 MOUNTING

ST = STANCHION MOUNT



DF12-SP

SM = SURFACE MOUNT STANCHION



Stanchion mounting for heights of 0" to 12" above grade for in-concrete placement.

Surface Mount Stanchion for wall, roof or concrete surface mounting – 18" length – anchor bolt mount.



Single fixture **Post Top** for transition to 4" round aluminum pole.



The minimal profile **Wall Canopy** mount.



Wall Arm Mount or Wall Arm Bullhorn Mount enables full vertical and horizontal aiming.

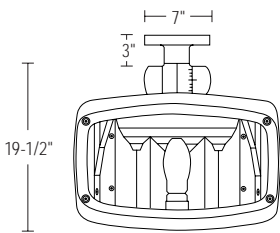


Twin Back-to-Back pole mount is a natural choice for median-mounted luminaires downlighting adjacent parking areas or tennis courts.



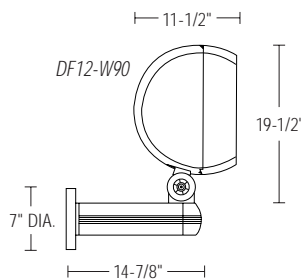
Twin Arm Bracket provides flexibility for mounting pole top or to ground stanchion. Full directional and rotational aiming, including uplight and downlight in combination.

W = WALL/CEILING CANOPY MOUNT



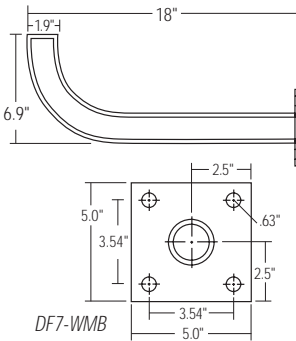
DF12-W

W90 = WALL ARM MOUNT



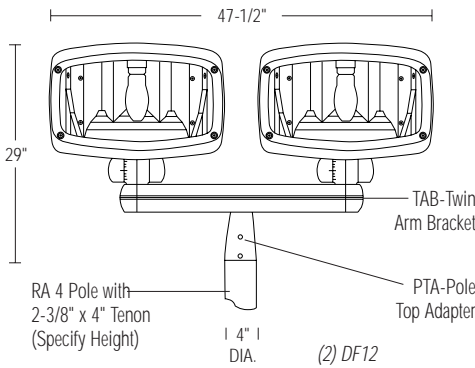
DF12-W90

WMB = WALL MOUNT BULLHORN

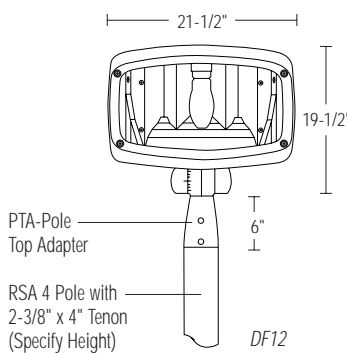


DF7-WMB

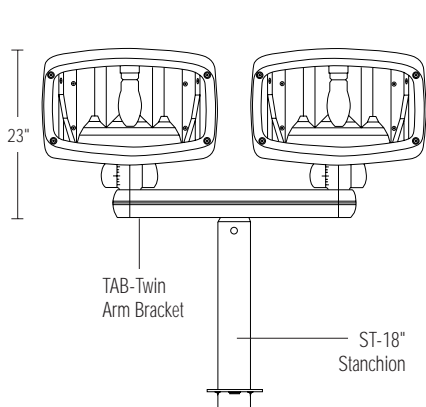
POLE MOUNTING WITH ACCESSORIES



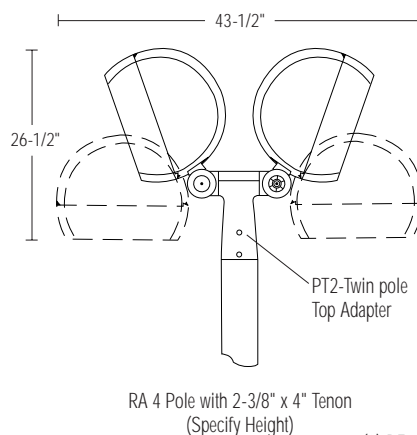
(2) DF12



DF12



(2) DF12



(2) DF12

SPECIFICATIONS

GENERAL

Each Gardco DF Series luminaire is a floodlight for high intensity discharge lamps. Internal components are totally enclosed, rain-tight, dust-tight, and corrosion-resistant. Housing, door frame, and knuckle assembly are all die cast aluminum. A choice of nine optical systems are available. DF7 units are suitable for wall, stanchion, pole, j-box and conduit mounting. DF12 units are suitable for wall, stanchion or pole mounting.

HOUSING

Single piece aluminum housing is die cast in a soft barrel form. Memory retentive gasket mates with door frame to exclude moisture, dust, insects and pollutants from electrical and optical systems.

DOOR FRAME

Single piece die cast aluminum door frame integrates to housing form. Captive stainless steel hinge pins allow access to luminaire for installation and lamping. Door frame is hinged closed and secured to housing with captive stainless steel recessed allen-head bolts. Heat and impact resistant 3/16" tempered glass lens and one-piece silicone gasket are mechanically secured to door frame with (6) galvanized steel retainers.

KNUCKLE

High strength die cast aluminum knuckle features an integral splice compartment. A single, captive 3/8" stainless steel allen-head bolt and a stainless steel nut securely lock knuckle aiming teeth in 5° increments. Opposite cover plate is removable for access to splices. Knuckle assembly is fully gasketed.

OPTICAL SYSTEMS

The wide, vertical and medium flood, and the horizontal spot optical systems are homogenous sheet and extruded aluminum, electrochemically brightened, anodized and sealed. The segmented reflectors are set in faceted arc tube image duplicating patterns to achieve required distributions. The narrow spot reflector is hydroformed Alzak® aluminum.

ELECTRICAL

Each high power factor ballast is the separate component magnetic type capable of providing reliable lamp starting to -20°F.

LAMPHOLDER

Pulse rated mogul base lampholder is glazed porcelain with nickel plated screw shell.

FINISH

Each standard color luminaire receives a fade and abrasion resistant, electrostatically applied, thermally cured, textured polyester powder finish. Refer to Color Selection Guide for optional colors. Special color finishes may vary. Consult factory.

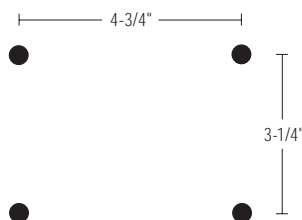
LABELS

All luminaires have UL or CUL (where applicable) Wet Location labels.

Gardco Lighting reserves the right to change materials or modify the design of its product without notification as part of the company's continuing product improvement program.

WALL/CEILING MOUNTING BOLT PATTERN

DF7 AND DF12





Fascia Plates



Bollards



100 Line Sconces



Step & Aisle Lights



2661 Alvarado Street
San Leandro, CA 94577
800/227-0758
510/357-6900 in California
Fax: 510/357-3088
www.sitelighting.com

© Gardco Copyright 2005
Genlyte Thomas Group LLC
All Rights Reserved.
International Copyright Secured.
79103-18/0705