

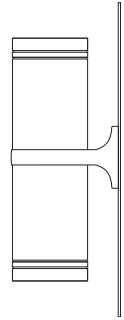
Notes:

Job:

Type:

CYLINDERS

302 LINE UP/DOWN



GENERAL DESCRIPTION: The Gardco 302 LINE is a series of diecast cylinders for up and down lighting in a single, integrated form. The 302 incorporates two Gardco 300 LINE cylinders using a cast bracket to create a single assembly. The 302 offers choices with optics and sources to allow for a variety of aesthetic elements on building surfaces.

ORDERING

PREFIX	MODEL	MOUNTING	LAMP UP	LAMP DOWN	TRIM DOWN	VOLTAGE	FINISH	OPTIONS
<input type="text"/>	<input type="text"/>	<input type="text"/>	<input type="text"/>	<input type="text"/>	<input type="text"/>	<input type="text"/>	<input type="text"/>	<input type="text"/>

Enter the order code into the appropriate box above. Note: Gardco reserves the right to refuse a configuration. Not all combinations and configurations are valid. Refer to notes below for exclusions and limitations. For questions or concerns, please consult the factory.

PREFIX	MODEL	MOUNTING	LAMP UP ¹		LAMP DOWN		TRIM DOWN		
302	O Open Downlight	W Wall	50MH	70MH	50MH	70MH	R	Reflector	
			T70MH ²	100MH	100MH		B	Baffle (Black)	
			50HPS	70HPS	50HPS	70HPS	R	Reflector	
			100HPS		100HPS		B	Baffle (Black)	
			P70MH	P100MH	P70MH ⁴	P100MH ⁴	B	Baffle (Black)	
			P70HPS		P70HPS		B	Baffle (Black)	
P/R INC		P/R INC		B	Baffle (Black)				
26QF ⁵	32TRF ⁵	42TRF ⁵	26QF ⁵	32TRF ⁵	42TRF ⁵	R	Reflector		
E Enclosed Downlight	W Wall	50MH	70MH	50MH	70MH	L	Obscuring Flat Solite [®] Lens		
		T70MH ²	100MH	100MH					
		50HPS	70HPS	50HPS	70HPS			LL	Obscuring Flat Solite [®] Lens with Louver
		100HPS		100HPS					
		R70MH	R100MH	R70MH	R100MH				
		R70HPS		R70HPS					
P/R INC		P/R INC							
26QF ⁵	32TRF ⁵	42TRF ⁵	26QF ⁵	32TRF ⁵	42TRF ⁵	FT/D	Flat Clear Lens with Forward Throw Reflector		
50MH	70MH		T70MH ²						
T70MH ²	100MH								

NOTES

- Lamp Up Trim is always a Diffusing Lens.
- T70MH Lamp utilizes an FT Forward Throw reflector. Lamp is supplied.
- Consult factory for other voltages.
- Suitable for PAR38 only.
- 26QF, 32TRF and 42TRF types feature an electronic fluorescent ballast that accepts 120V through 277V, 50hz or 60hz input. Starting temperature is 0°F.

LAMPS

P	PAR38 Lamp
P/R INC	100w max PAR38 or R40 Incandescent Lamp
F	QF - Quad Tube; TRF - Triple Tube 4-pin Compact Fluorescent Lamp
T70MH	Tubular T-6 70MH Lamp (supplied with luminaire)
All Others	E-17 Clear Lamp

FINISH

BRP	Bronze Paint
BLP	Black Paint
WP	White Paint
NP	Natural Aluminum Paint
BGP	Beige Paint
VP	Verde Green Paint
OC	Optional Color Paint Specify RAL designation ex: OC-RAL7024
SC	Special Color Paint Specify. Must supply color chip

OPTIONS

F	Fusing
PCB	Button Type Photocontrol

Gardco Lighting reserves the right to change materials or modify the design of its product without notification as part of the company's continuing product improvement program.

© Copyright Gardco Lighting 2001-2004. All Rights Reserved. International Copyright Secured.

A Genlyte Company

Gardco Lighting
2661 Alvarado Street
San Leandro, CA 94577

800/227-0758
510/357-6900 in California
Fax: 510/357-3088
www.sitelighting.com



79115-114/1104

CYLINDERS

302 LINE UP/DOWN

SPECIFICATIONS

HOUSING: Housings are cast in a single-piece cylindrical form of corrosion resistant alloy, 1/8" min wall thickness. Units measure 7.5" in outside diameter and 12" in height. Housings are secured to the wall and luminaire assembly using a cast mounting canopy/bracket. The canopy includes a hanger bracket and a mounting bracket (secured over splice box).

LIGHT CONTROL:

Clear Lens (CL): Clear lens trims include a clear tempered glass lens mounted to a diecast aluminum frame. Supplied standard on all models ("Trim Up").

Reflector (R): Reflectors are composed of spun Alzak® components, electro-polished, anodized and sealed. Reflectors for compact fluorescent lamps feature a dual stage construction.

Baffle (B): Step black baffles are diecast aluminum and finished with black TGIC powdercoat

Lens (L): Lens units consist of a Solite® obscuring glass lens mounted to a die cast aluminum trim support assembly.

Lens with Louver (LL): Lens with louver units consist of a Solite® obscuring glass lens mounted to a diecast aluminum trim support assembly, including 1 5/8" x 1 5/8" square louvers with a nominal depth of 1".

Forward Throw Reflector (FT/C and FT/D): Reflectors are composed of specular extruded and faceted Alzak® components, electro-polished, anodized and sealed. FT/D downlights feature a clear flat glass lens mounted within a die cast aluminum frame. FT/C upright units feature a clear molded glass lens mounted within a diecast aluminum frame. Reflector provides asymmetric forward throw distribution of light.

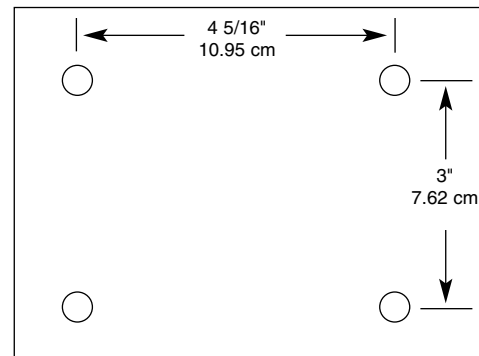
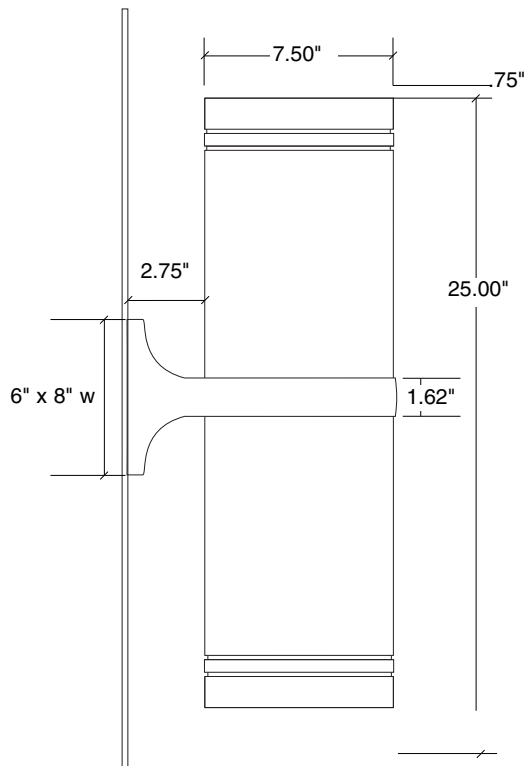
ELECTRICAL: Internal ballast will be provided based on the specified lamp configuration.

LAMPHOLDER: Pulse rated medium base lampholders are glazed porcelain with a nickel-plated screw shell. Fluorescent sockets are high temperature plastic (PBT) with brass alloy contacts.

FINISH: Each standard luminaire receives a fade and abrasion resistant, electrostatically applied, thermally cured, textured TGIC polyester powder coat finish. Consult factory for special colors. The cast bracket is painted to match the housings.

LABELS: All fixtures bear UL or CUL (where applicable) Wet Location labels.

DIMENSIONS AND MOUNTING DETAIL



Mounting Pattern

Gardco Lighting reserves the right to change materials or modify the design of its product without notification as part of the company's continuing product improvement program.

© Copyright Gardco Lighting 2001-2004. All Rights Reserved. International Copyright Secured.

A Genlyte Company

Gardco Lighting
2661 Alvarado Street
San Leandro, CA 94577

800/227-0758
510/357-6900 in California
Fax: 510/357-3088
www.sitelighting.com



79115-114/1104