

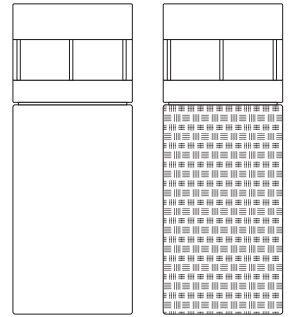
Notes:

Job:
Type:

BOLLARD 10

BR160/BR162/BR163

GENERAL DESCRIPTION: The Gardco Bollard 10 luminaires provide efficient low-glare illumination from a highly durable seamless architectural form. Utilizing the Form 10 faceted optical system, precise beam control is achieved and discomforting brightness is eliminated. A .250" cast aluminum housing and .188" injection molded acrylic lens assures exceptional vandal resistance. Each Gardco BR160/162/163 is a bollard luminaire utilizing 50W through 175W high intensity discharge lamps. Units are totally sealed and gasketed, preventing intrusion of moisture, dust and insects into the lamp or electrical chambers.



ORDERING

PREFIX	OPTICS	HEIGHT	WATTAGE	VOLTAGE	FINISH	OPTIONS
<input type="text"/>	<input type="text"/>	<input type="text"/>	<input type="text"/>	<input type="text"/>	<input type="text"/>	<input type="text"/>

Enter the order code into the appropriate box above. Note: Gardco reserves the right to refuse a configuration. Not all combinations and configurations are valid. Refer to notes below for exclusions and limitations. For questions or concerns, please consult the factory.

PREFIX

BR160	Head Only
BR162	with Aluminum Base
BR163	with Natural Concrete Base
BR163B	with Beige Concrete Base
BR163G	with Grey Concrete Base

OPTICS

3	Type III
FM	Type IV
Q	Type V

HEIGHT

42"	BR162, 163 Only
14"	BR160 Only

WATTAGE

50MH	50HPS ¹		
70MH	70HPS		
100MH	100HPS	<i>MH</i>	<i>Metal Halide</i>
150MH	150HPS	<i>HPS</i>	<i>High Pressure Sodium</i>
175MH			

^{1.} 120/277V Primary only.

VOLTAGE

120
208
240
277

FINISH

BRP	Bronze Paint	OC	Optional Color Paint
BLP	Black Paint		<i>Specify RAL designation</i>
WP	White Paint		<i>ex: OC-RAL7024</i>
NP	Natural Aluminum Paint	SC	Special Color Paint
VP	Verde Green Paint		<i>Specify. Must supply color chip</i>

OPTIONS

F	Fusing
DUP	Duplex Receptacle <i>weathertight, flush-mounted in lower housing</i>
GFCI	GFCI Receptacle <i>weathertight, flush-mounted in lower housing</i>

Gardco Lighting reserves the right to change materials or modify the design of its product without notification as part of the company's continuing product improvement program.

© Copyright Gardco Lighting 2001-2004. All Rights Reserved. International Copyright Secured.

A Genlyte Company

Gardco Lighting
2661 Alvarado Street
San Leandro, CA 94577

800/227-0758
510/357-6900 in California
Fax: 510/357-3088
www.sitelighting.com



79115-32/0305

BOLLARD 10

BR160/BR162/BR163

SPECIFICATIONS

UPPER HOUSING: Housing sections are .250" wall seamless cast aluminum. Lens is one piece .188" thick injection molded clear non-yellowing DR acrylic secured between upper and lower housing sections with three (3) 1/2" diameter chrome plated steel posts. Silicone gasketing allows for thermal expansion while maintaining a weathertight operation of the optical system.

LOWER HOUSING/ANCHORAGE:

BR160

Head-only luminaire is designed for mounting on concrete pedestal or architectural elements (by others). Mounting plate is cast aluminum with slots to accept anchor bolts (by others) at 90° on a 12 1/4" diameter bolt circle. Ballast is attached to the mounting plate circle.

BR162

16" diameter mounting base is .125" wall aluminum. Integral cast aluminum top section is secured to the mounting foundation with four (4) 3/8" x 8" x 1 1/2" anchor bolts on 12 1/4" diameter bolt circle. Ballast mounting plate is positioned at the top of base, easily accessible for service.

BR163

Base assembly consists of 7 gauge (.179") x 19" diameter galvanized steel plate fastened to pre-cast concrete base. The base is constructed with steel molds and wire reinforcing and is acid-etched to provide a smooth

textured aggregate finish. Assembly is secured and leveled to the mounting foundation with four (4) 3/8" X 8" X 1 1/2" anchor bolts on a 17 1/2" bolt circle. Base is designed for 2" direct burial.

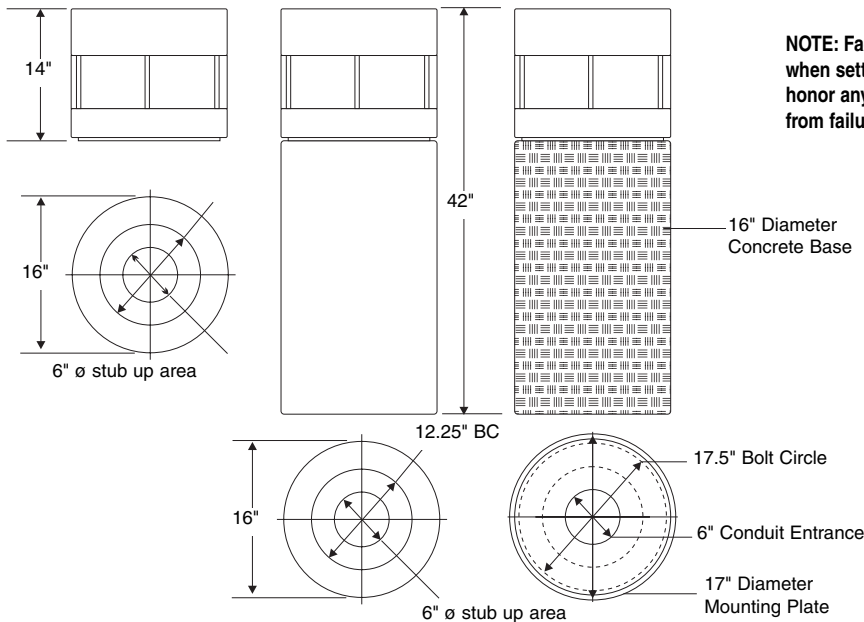
OPTICAL SYSTEM: The Form 10 optical system segments are formed from homogeneous sheet aluminum, electrochemically brightened, anodized and precisely positioned in reflector pan to produce IES Types III (3), IV (FM) or V (Q) distributions. Mogul base lampholder is glazed porcelain with nickel plated screw shell and is securely attached to the reflector assembly. 50MH, 70MH, and 100MH units have medium base lampholders.

ELECTRICAL: Each high power factor ballast is the separate component type, capable of providing reliable lamp starting down to -20° F. Component-to-component wiring within the luminaire will carry no more than 80% of rated current and is listed by UL for use at 600 VAC at 150°C or higher. Plug disconnects are listed by UL for use at 600 VAC, 15A or higher.

FINISH: Each luminaire receives a fade and abrasion resistant electrostatically applied, thermally cured and textured polyester powdercoat finish.

LABELS: All fixtures bear UL or CUL (where applicable) Wet Location labels.

DIMENSIONS



NOTE: Factory supplied template must be used when setting anchor bolts. Gardco Lighting will not honor any claim for incorrect anchorage placement from failure to use factory supplied templates.

Gardco Lighting reserves the right to change materials or modify the design of its product without notification as part of the company's continuing product improvement program.

© Copyright Gardco Lighting 2001-2004. All Rights Reserved. International Copyright Secured.

A Genlyte Company

Gardco Lighting
2661 Alvarado Street
San Leandro, CA 94577

800/227-0758
510/357-6900 in California
Fax: 510/357-3088
www.sitelighting.com



79115-32/305