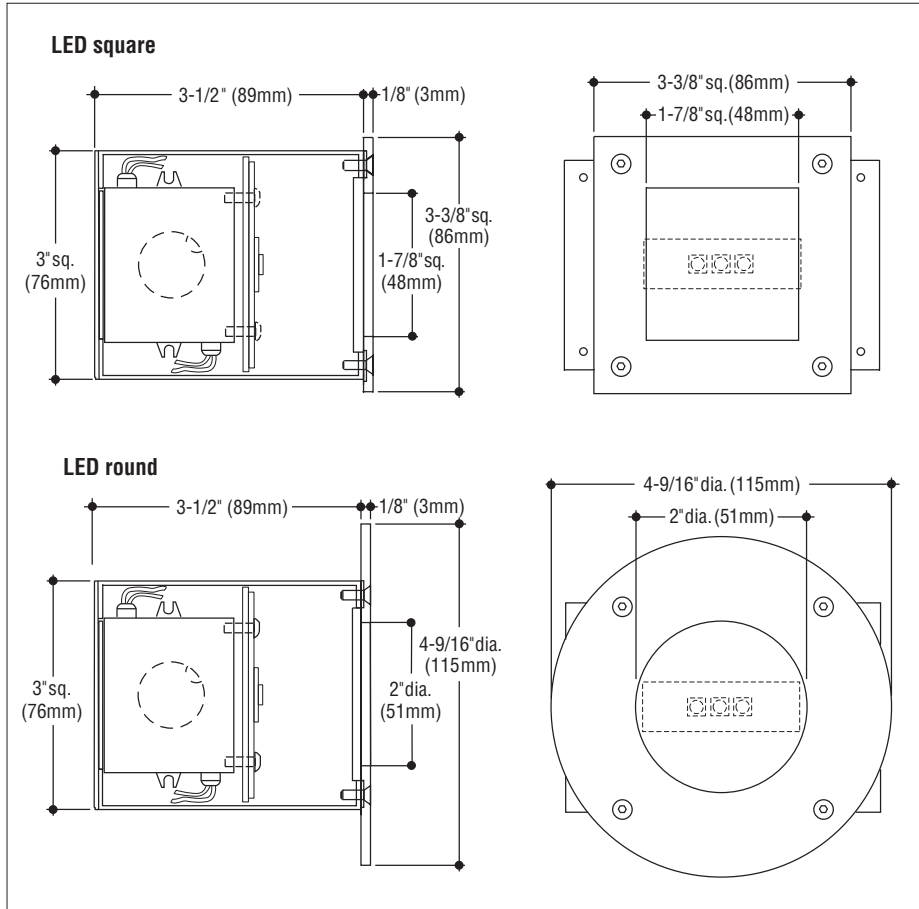


**JOB NAME** \_\_\_\_\_

**TYPE** \_\_\_\_\_

**CATALOG NUMBER** \_\_\_\_\_

## Steplites L121 SERIES



### SPECIFICATIONS

#### Construction

- Housing is 16 gauge stainless steel
- Faceplate is 1/8" satin finished stainless steel, passivated for maximum rust resistance
- Fixtures are furnished with stainless steel socket head tamperproof screws
- Diffuser is frosted or optional, opal, tempered glass set in silicone sealant
- cETLus listed for wet locations in any wall construction.

#### Electrical

- Fixture is wired with high performance LEDs
- Integral driver is 120V only and features ELV dimming capability
- Housing provided with 1/2" conduit knockout on each side.

#### Mounting

Housing has flanges with holes for mounting.

Catalog Number Lamp	Faceplate			
	Square	Round	Square Louver	Round Louver
LED 4.2W, (235 lm @ 3000°K)	<input type="checkbox"/> L121SW	<input type="checkbox"/> L121RW	<input type="checkbox"/> L121SW-LVR	<input type="checkbox"/> L121RW-LVR

Photometric data available for Steplites can be downloaded at: [www.colelighting.com/downloads/1](http://www.colelighting.com/downloads/1)

### Options

**LED color:** 4000°K (265 lm). Add suffix  -4K.

**Opal glass diffuser:** Tempered.

Add suffix  -OPL.

**Bronze faceplate:** Satin finish, clear coated.

Add suffix  -B.

**Louvered faceplate:** 3/16" thick, narrow louvered faceplate. Add suffix  -LVR.

**Two hole:** Faceplate with two fasteners.

Add suffix  -2H.

**No hole:** No visible fasteners (damp or dry locations only). Substitute  -NH for W.

### How to Specify

1. Select catalog number.
2. Add suffixes for options required to meet job conditions.



**C.W. Cole & Company, Inc.**  
2560 N. Rosemead Boulevard  
South El Monte, CA 91733-1593

Tel. (626) 443-2473  
Fax (626) 443-9253  
info@colelighting.com  
[www.colelighting.com](http://www.colelighting.com)