

Project:

Type: **Prepared By:** **Date:**

Notes:



SPECIFICATIONS

CONSTRUCTION: Injection molded, rigid one piece, flame retardant reinforced polyester fiber-glass enclosure, with robotically applied closed cell polyurethane gasketing which seals the diffuser to the enclosure.

SHIELDING: Molded one piece UV stabilized polycarbonate is standard. The diffuser is held in the closed position by corrosion resistant, replaceable, all plastic captive latches that snap on and require no tools. Other lenses and latches optionally available (see OPTIONS).

INTERNAL HOUSING: Heavy gauge internal full steel liner/cover for positive grounding and maximum protection and rigidity, finished high gloss baked white enamel (minimum 89% reflectance). All electrical components are readily removable for servicing.

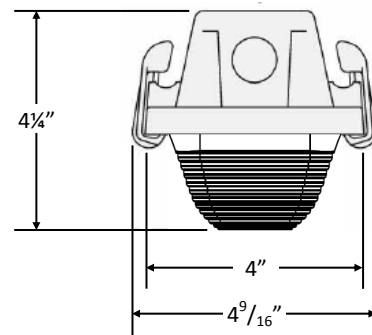
ELECTRICAL: Long life replaceable LED, rated for 50,000 hours, with a high efficiency 0-10V electronic dimming driver, 120-277V, 50/60Hz operation. Other voltages, current and frequencies available, CONSULT FACTORY.

LED MODULE: Philips LED light engine, available in 3000°K, 3500°K, 4000°K and 5000°K @ L70 for 50,000 hours. Nominal lumen output options of 700,1100 and 2000 per foot result in multiple standard configurations. LM79 and LM80 Certified. Color temperature may affect total lumen output. CONSULT FACTORY for other lumen output options.

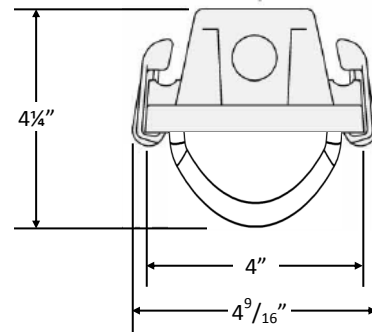
MOUNTING: Suitable for individual or continuous rows, surface mounting. Embossments provided on back and ends, mounting and feed holes to be drilled at job site. PVC Plug is provided for sealing end holes. See OPTIONS for additional accessories.

CERTIFICATION: The VAPORTRON® I Series 16L luminaire is U.L. and C.U.L. listed and bears the label of the I.B.E.W./AFL-CIO, Local #3. NEMA 4X, IP65, IP66, IP67 and PSI1500.

Linear Ribbed Lens



Smooth Lens



ORDERING INFORMATION

Example: 16L 4 1 LL2 40 RLPF UNV WL EGSL

| SERIES | NOMINAL LENGTH | ROWS LED | LUMEN LEVEL | COLOR TEMP | SHIELDING MEDIA | VOLTAGE | OPTIONS |
|--------|----------------|----------|-------------|------------|---|--------------|--|
| 16L | 4 51 1/2" | 1 1 Row | LL1 Normal | 30 3000°K | RLP Linear ribbed U.V stabilized polycarbonate clear | UNV 120-277V | DL Damp location |
| | | | LL2 High | 35 3500°K | (standard) | | WL Wet location |
| | | | LL3 V. High | 40 4000°K | RLPF Linear ribbed U.V stabilized polycarbonate frosted | | EM Emergency battery pack (consult factory) |
| | | | C Custom | 50 5000°K | RLA Linear ribbed acrylic clear | | EGSL Stainless steel latch |
| | | | | | RLAF Linear ribbed acrylic frosted | | EGBB Back mounting bracket (2 per kit) |
| | | | | | SPC Smooth U.V stabilized polycarbonate clear | | EGDCB Die-cast bushing for 3/8" K.O. |
| | | | | | SPF Smooth U.V stabilized polycarbonate frosted | | SC Lens retainer safety cable |
| | | | | | SAC Smooth acrylic clear | | HB350WL3 Wattstopper® passive infrared occupancy sensor, wet location, 360° Lens, 40' diameter coverage from 20' height. |
| | | | | | SAF Smooth acrylic frosted | | HB350WL4 Wattstopper® passive infrared occupancy sensor, wet location, 360° Lens, 60' diameter coverage from 40' height. |



(Consult factory for other options or special requests)



2016-01-19-16L-LED

VAPORTRON® and LEGION® are registered Trademarks of LEGION LIGHTING CO., INC. Wattstopper® is a registered Trademark of Legrand North America, Inc.

LUMEN OPTIONS

| LUMEN LEVEL | SIZE | NOMINAL LUMENS/WATTS |
|--------------------|------|----------------------|
| | | 1 Row LED |
| LL1 (Normal) | 24" | 1400/12 |
| | 48" | 2800/24 |
| LL2 (High) | 24" | 2200/14 |
| | 48" | 4400/28 |
| LL3 (Very High) | 24" | 4000/30 |
| | 48" | 8000/60 |

Consult factory for latest specification as LED technology is frequently changing. Custom lumen packages available.

STANDARD

Plastic Captive Latches



End Plug



OPTIONS

EGDCB

Die Cast Bushing for 3/4" K.O.



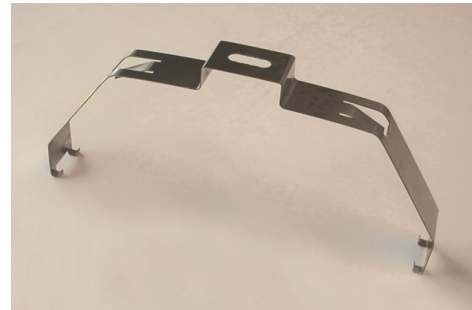
EGSL

Stainless Steel Latch



EGBB

Back Mounting Bracket
(2 per kit)



SC

Lens Retainer Safety Cable



PHOTOMETRICS - CONSULT FACTORY

2016-01-19-16L-LED

VAPORTRON[®] and LEGION[®] are registered Trademarks of LEGION LIGHTING CO., INC.
 Wattstopper[®] is a registered Trademark of Legrand North America, Inc.