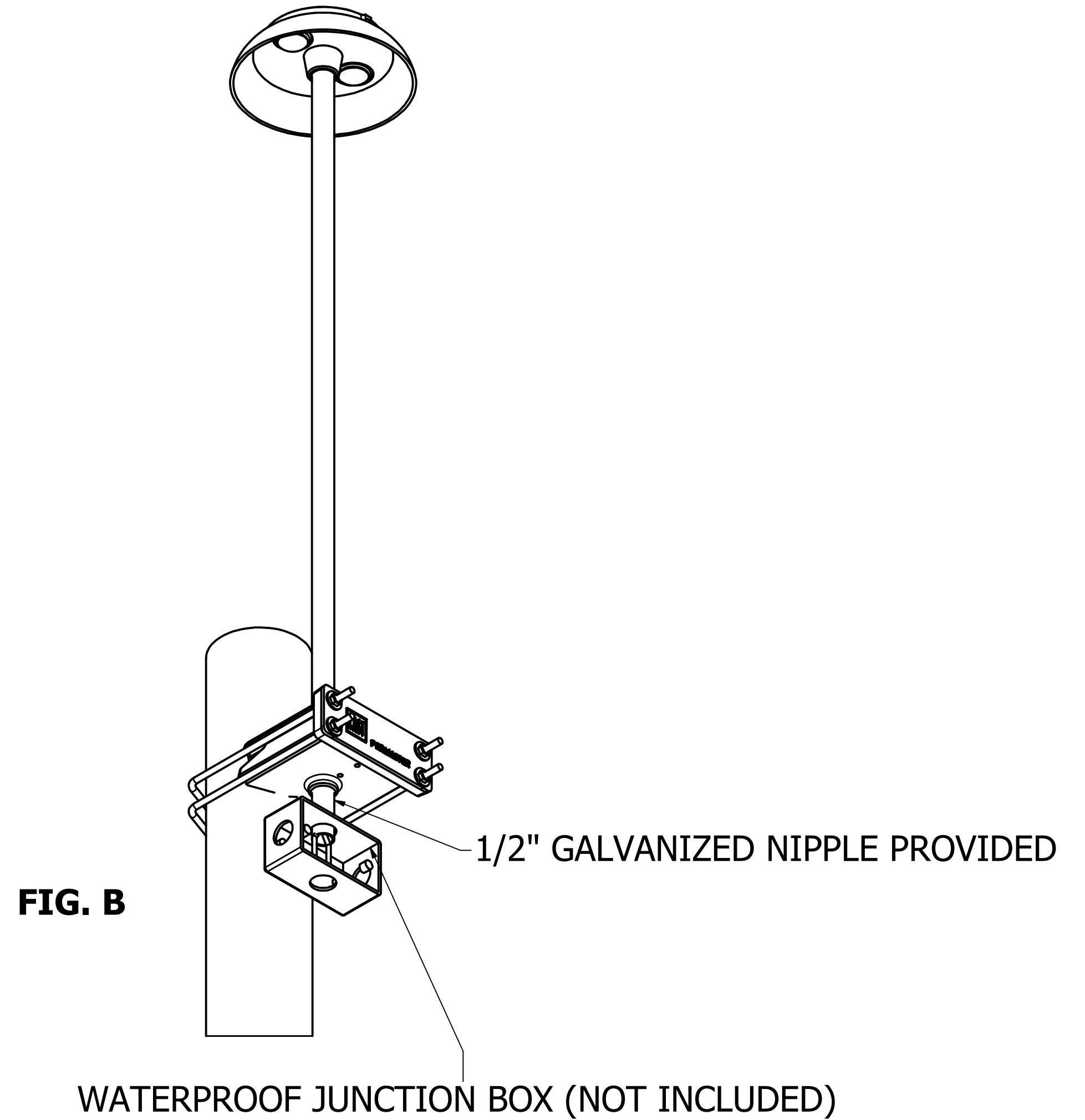
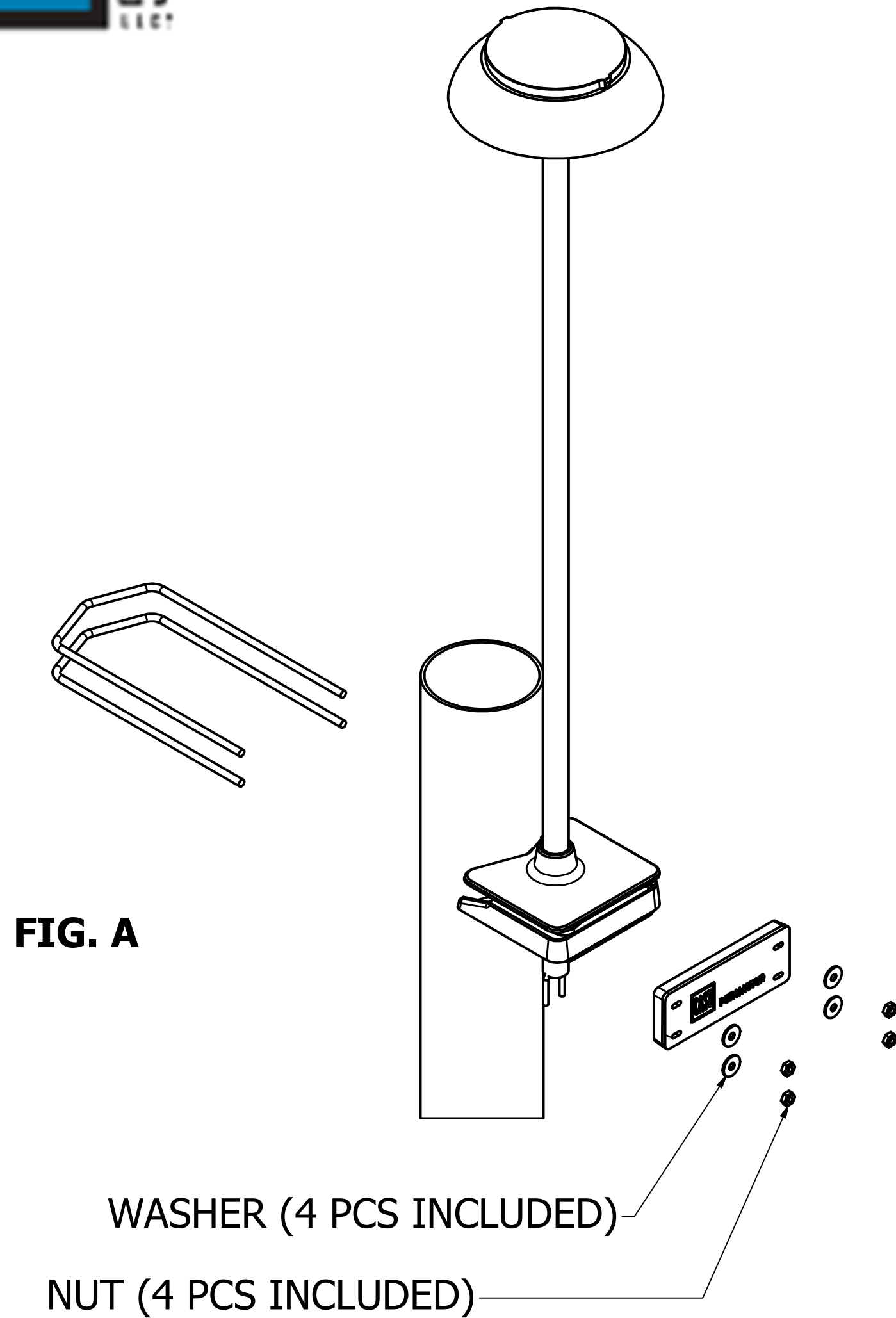




CAST LED HI-POWER Perimeter Light (CPL12X, CPL13X & CPL14X): Installation Instructions

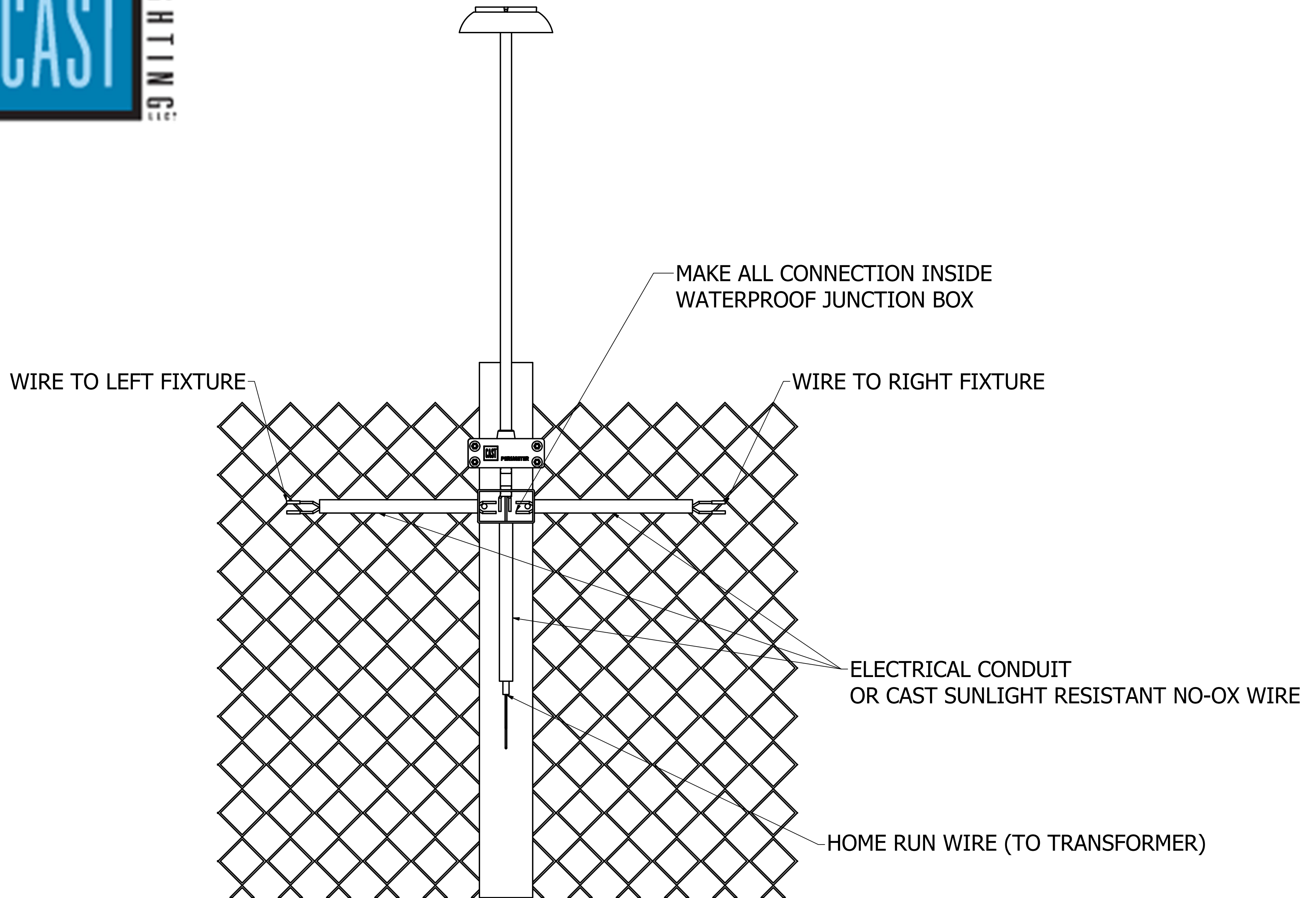


ATTACH FIXTURE TO FENCE POST USING THE HARDWARE (PROVIDED) & A 7/16 WRENCH (NOT INLCUED)

ONCE FIXTURE IS INSTALLED TO THE FENCE POST PROCEED WITH THE INSTALLATION OF JUNCTION BOX (NOT INCLUDED) AT THE BASE OF THE 1/2" NPT GALVANIZED NIPPLE AS SHOWN ON FIG. B.



CAST LED HI-POWER Perimeter Light (CPL12X, CPL13X & CPL14X): Installation Instructions



ATTACH WIRE "HOME RUN WIRE" TO CENTER FIXTURE JUNCTION BOX COMING FROM TRANSFORMER & CONNECT OTHER FIXTURES TO THE LEFT OR RIGHT AS NECESSARY.