

DESCRIPTION

Fail-Safe's hospital patient room fixture - the MPR removes lighting elements from walls incorporating them into a multi-compartment ceiling lighting fixture. Sections provide independent task illumination: patient reading light using (1) 40W biaxial lamp puts the light at the head of the bed for patient use; ambient room light using (2) 40W biaxial lamps provides soft illumination via perforated wings while shielding direct source glare; examination light uses (3) 40W biaxial lamps and focuses high intensity illumination to torso for maximum patient appraisal with minimal wattage consumption. Also available with 50W biaxial lamps.

Catalog #		Type	
Project		Date	
Comments			
Prepared by			

SPECIFICATION FEATURES

Construction

20-gauge CRS housing is fabricated for maximum strength and stability.

Mounting

Recessed Grid or Flange. Surface mount available.

Finish

High gloss, electrostatically applied, white powder coat finish, average minimum reflectance 92%.

Shielding

Reading: Die-formed aluminum lamp shield.
Ambient: Formed perforated metal.
Exam: 0.125" Pattern 12 Acrylic lens.
Louver with opal, clear or Pattern 12 prismatic overlay options available.

Ballast

Electronic Class P, CBM/ETL ballast.

Labels

UL/cUL listed for damp locations.

Lamps

By others: 40W or 50W biaxial lamps. Each compartment is designed to provide a specific illumination function while allowing for commonality of branch circuit feeding. High efficiency biaxial lamps provide excellent color rendering ability and high lumen output.



MPR2



MPR

MPR MPR2

2x2

2x4

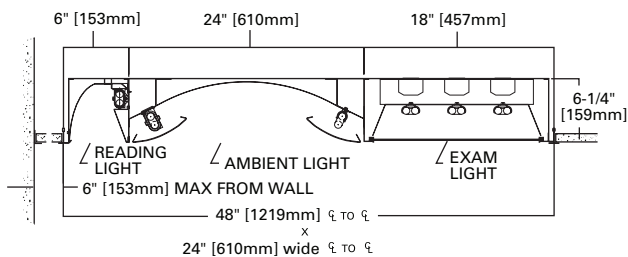
Biaxial

Healthcare: Patient

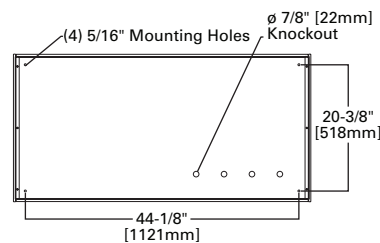
RECESSED FLANGE
RECESSED GRID

DIMENSIONS

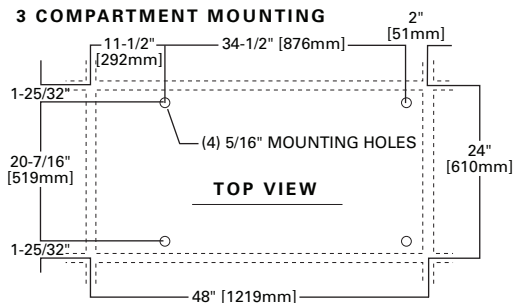
2' x 4', 3 COMPARTMENT DIMENSIONS



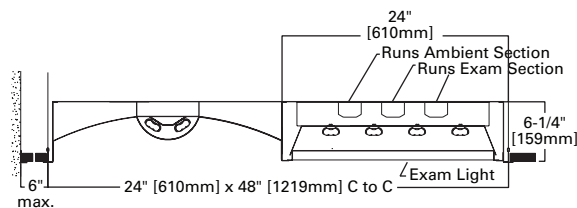
2' x 4', 2 COMPARTMENT MOUNTING



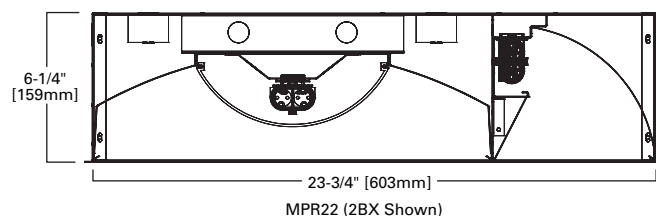
3 COMPARTMENT MOUNTING



2 COMPARTMENT DIMENSIONS



2' x 2' DIMENSIONS



ENERGY DATA

Input Watts:

Electronic Ballasts and
Standard Lamps

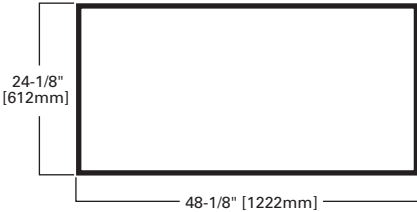
(6) 40W Biaxial Fluorescents: 204W

(6) 50W Biaxial Fluorescents: 264W

CEILING CUT-OUT DIMENSIONS

MATRIX

CEILING CUT-OUT SECTION FOR MPR FLANGE FIXTURE



For 2' x 2', Ceiling Cut-out 24-18" x 24-1/8"

MAX # OF LAMPS	MPR	MPR2	MPR22
40W	7	6	3
50W	6	6	3

ORDERING INFORMATION

SAMPLE NUMBER: MPR-G-640BX-120-EBX3

<p>Product Family</p> <p>MPR2= 2' x 4', 2 Compartment Medical Patient Room Recessed Luminaire Exam & Ambient Section</p> <p>MPR = 2' x 4', 3 Compartment Medical Patient Room Recessed Luminaire Reading, Exam & Ambient Section</p> <p>MPR22 = 2' x 2', Fixture 2 Compartment, Reading & Ambient</p>	<p>Lamp Type Biaxial Fluorescent</p> <p>240BX=(2) 40W Biaxial Lamps ⁹ 340BX=(3) 40W Biaxial Lamps ⁹ 540BX=(5) 40W Biaxial Lamps ⁵ 550BX=(5) 50W Biaxial Lamps ⁵ 640BX=(6) 40W Biaxial Lamps 650BX=(6) 50W Biaxial Lamps 740BX=(7) 40W Biaxial Lamps ⁴</p>	<p>Ambient Options ⁸ If no option is chosen, then Standard 2 Basket Ambient will be provided.</p> <p>SCPB=Single Perf Basket Centered</p> <p>SSCB=Single Acrylic Basket</p>	<p>Exam Louver Options ¹⁰ MPR ³</p> <p>S68 I = Specular Aluminum 6x8, 48-cell, 1-1/2" deep</p> <p>S68 I/OL = Specular Aluminum 6x8, 48-cell, 1-1/2" deep, opal overlay</p> <p>S68 I/OLK12 = Specular Aluminum 6x8, 48-cell, 1-1/2" deep, K12 overlay</p> <p>S68 I/OLC = Specular Aluminum 6x8, 48-cell, 1-1/2" deep, clear acrylic overlay</p>
<p>Ceiling Type</p> <p>G=Grid S=Surface</p> <p>For flange (hard ceiling) applications, choose the following:</p> <p>2' x 2': DFCL2424W-U ¹² 2' x 4': DFCL2448W-U ¹²</p>	<p>Voltage</p> <p>120=120V 277=277V 347=347V UNV=120V-277V</p>	<p>Options</p> <p>EL4=EM Pack, BX FNL=Fluorescent Night Light ^{4, 10} GLR=Fuse and Holder RIF=Radio Interference Filter LVRELAY=Low Voltage Relay ^{2, 6, 7} AM=Antimicrobial Finish (all painted parts)</p>	<p>MPR 2 ³</p> <p>S36 I = Specular Aluminum 3x6, 18-cell, 1-1/2" deep</p> <p>S36 I/OL = Specular Aluminum 3x6, 18-cell, 1-1/2" deep, opal overlay</p> <p>S36 I/OLK12 = Specular Aluminum 3x6, 18-cell, 1-1/2" deep, K12 overlay</p> <p>S36 I/OLC = Specular Aluminum 3x6, 18-cell, 1-1/2" deep, clear acrylic overlay</p> <p>S66I = Specular Aluminum 6x6, 36-cell, 1-1/2" deep</p> <p>S66I/OL = Specular Aluminum 6x6, 36-cell, 1-1/2" deep, opal overlay</p> <p>S66I/OLK12 = Specular Aluminum 6x6, 36-cell, 1-1/2" deep, K12 overlay</p> <p>S66I/OLC = Specular Aluminum 6x6, 36-cell, 1-1/2" deep, clear acrylic overlay</p>

NOTES:

- 50BX ballast only available in 1 and 2 lamp configurations.
- The switching device is to be a normally-open, momentary contact switch. Activation of the contact provides the following illumination scenarios: Ambient only - on, Reading only - on, Ambient and Reading - on, Ambient and Reading - off. Other switching options available. Consult factory.
- For white louver, replace "S" with "W" (example: S68I to W68P).
- 740BX consists of 4 biaxial lamps in exam module, 2 biaxial lamps in the 2-basket ambient module, 1 biaxial lamp in the reading module.
- 540BX, 550BX available with MPR 2 only.
- MPR2 illumination scenarios: Ambient only -on, Exam only -on, Ambient and Exam -on, Ambient and Exam -off.
- Must specify voltage.
- SCP or SSCB must be chosen for MPR22 2' x 2' fixture.
- 240BX: (1) lamp reading, (1) lamp ambient. 340BX: (1) lamp reading, (2) lamp ambient.
- MPR 2' x 4' only.
- Not available 2' x 2'.
- Ceiling cut-out dimensions: 2' x 2': 24'-3/8" x 24'-3/8"
 2' x 4': 24'-3/8" x 48'-3/8"
 Shipped separately.