

Class R1, R2, R3 / Z1, Z2, Z3, & DIVIDE

1'x1' / 1'X4' / 2'X2' / 2'x4'

WARNINGS

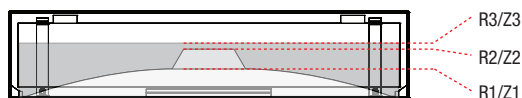
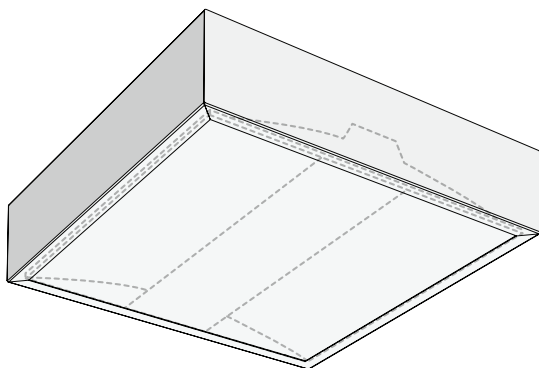
- 1). **WARNING!** Risk of Electric Shock. Disconnect power at fuse or circuit breaker before installing or servicing.
- 2). **WARNING!** - Risk of Fire/Electric Shock. If not qualified, consult an electrician.
- 3). **WARNING!** - Risk of fire or electric shock. Luminaires wiring, ballasts, or other electrical parts may be damaged when drilling for installation of reflector kit hardware. Check for enclosed wiring and components.

NOTES

- 1). **NOTE!** - This product must be installed in accordance with the applicable installation code by a certified electrician, familiar with the construction and operation of the product and hazards involved.
- 2). **NOTE!** - Only those open holes indicated in the photographs and/or drawings may be made or altered as a result of kit installation. Do not leave any other open holes in an enclosure of wiring or electrical components.
- 3). **NOTE!** - To prevent wiring damage or abrasion, do not expose wiring to edges of sheet metal or any sharp objects.
- 4). **NOTE!** - Disconnect all power before proceeding.

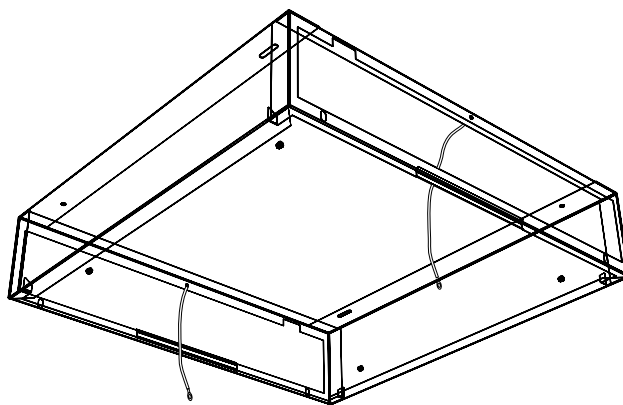
Description:

The universal surface mount kit allows the Class R and Divide recessed fixture family to be installed in plenum-less spaces. Ideal for retrofits, remodel projects, or when a recessed fixture is preferred but plenum space is not available. The surface mount kit works with all sizes of Class R/Z products including the R2, R3, Z2, and Z3 as well as the Divide Recessed fixture.



Construction:

Surface mounting kit features snap-together frame design constructed of die-formed 20 gauge cold rolled steel. Finish is high reflectance white using electrostatically applied polyester powder coat paint.



Ordering Information:

Upon placing an order for any Class R/Z or Divide Recessed product, by specifying "Surface Mount" (initialed as "SU") as the ceiling type, the correct sized mounting kit will be added to the order placement automatically.

R2	W	L	2	L35	1	C	UNV	22	SU
Series R2 = Class R2 LED	Shielding L = Frosted Prismatic	Color Temperature L30 = LED 3000K (subtract 10% from 3500K light levels) L35 = LED 3500 L40 = LED 4000K (add 10% to 3500K light levels)	Number of Circuits 1 = 1 Circuit	Wiring B = Battery Pack C = Standard Circuit D = Dimming E = Emergency T = Nightlight Y = Daylight	Size 22 = 2' x 2'	Ceiling Type T1 = 1" Grid, Slot Grid, 9/16" Tegular T9 = 9/16" Grid CC = Concealed Ceiling SU = Surface Mount	Voltage 120 = 120V 277 = 277V 347 = 347V UNV = Universal (120-277)		
Reflector W = White	Light Level 1 = Light Level 1 1500mA 2 = Light Level 2 2000mA								

Class R1, R2, R3 / Z1, Z2, Z3, & DIVIDE

1'x1' / 1'x4' / 2'x2' / 2'x4'

WARNINGS

- 1). WARNING! Risk of Electric Shock. Disconnect power at fuse or circuit breaker before installing or servicing.
- 2). WARNING! - Risk of Fire/Electric Shock. If not qualified, consult an electrician.
- 3). WARNING! - Risk of fire or electric shock. Luminaires wiring, ballasts, or other electrical parts may be damaged when drilling for installation of reflector kit hardware. Check for enclosed wiring and components.

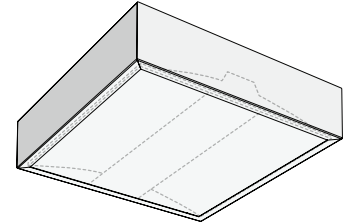
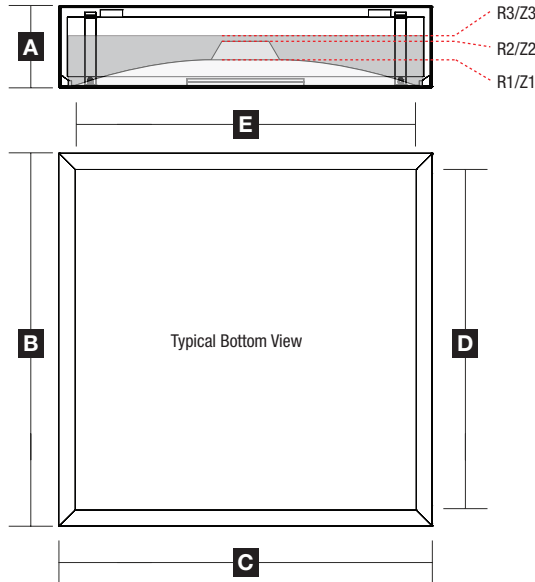
NOTES

- 1). NOTE! - This product must be installed in accordance with the applicable installation code by a certified electrician, familiar with the construction and operation of the product and hazards involved.
- 2). NOTE! - Only those open holes indicated in the photographs and/or drawings may be made or altered as a result of kit installation. Do not leave any other open holes in an enclosure of wiring or electrical components.
- 3). NOTE! - To prevent wiring damage or abrasion, do not expose wiring to edges of sheet metal or any sharp objects.
- 4). NOTE! - Disconnect all power before proceeding.

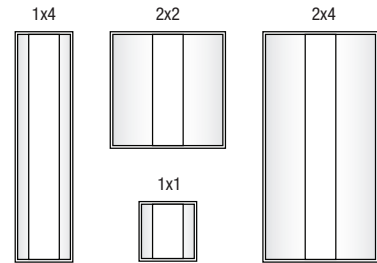
Corelite Class R / Class RZ / Divide Surface Mount Kit

Surface Mount Kit Dimensions

	1x1	1x4	2x2	2x4
A	5.55" [141mm]	5.55" [141mm]	5.55" [141mm]	5.55" [141mm]
B	14.55" [370mm]	48.92" [1243mm]	24.85" [631mm]	48.92" [1243mm]
C	14.82" [376mm]	12.97" [329mm]	25.02" [635mm]	25.02" [635mm]
D	12.30" [312mm]	46.94" [1192mm]	22.94" [583mm]	46.94" [1192mm]
E	12.62" [321mm]	10.97" [279mm]	22.97" [583mm]	22.97" [583mm]

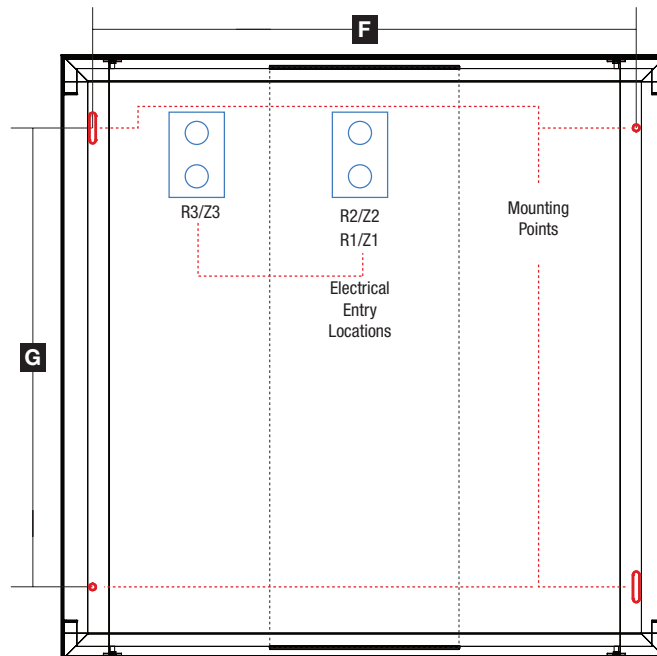


Kits available for the following fixture sizes:



Surface Mount Kit Mounting Holes

	1x1	1x4	2x2	2x4
F	12.16" [309mm]	10.56" [268mm]	22.56" [573mm]	22.56" [573mm]
G	8.47" [215mm]	43.03" [1093mm]	19.03" [484mm]	43.03" [1093mm]
All mounting holes should be $\varnothing 9/32"$ [0.69MM]				



Class R1, R2, R3 / Z1, Z2, Z3, & DIVIDE

1'x1' / 1'x4' / 2'x2' / 2'x4'

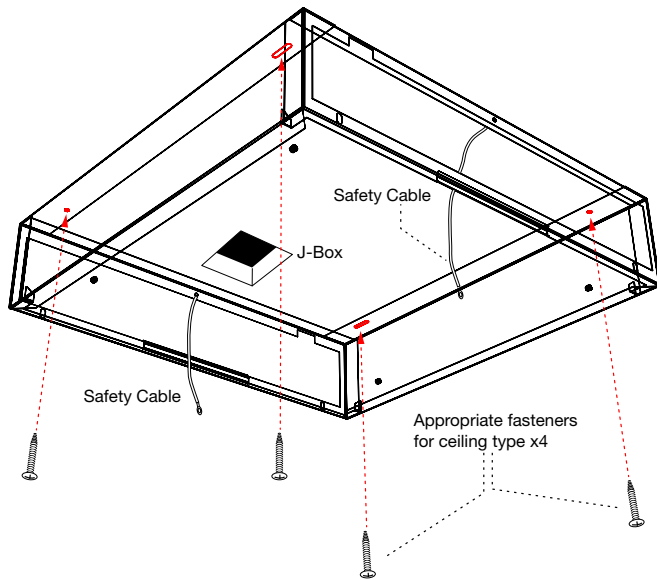
WARNINGS

- 1). **WARNING!** Risk of Electric Shock. Disconnect power at fuse or circuit breaker before installing or servicing.
- 2). **WARNING!** - Risk of Fire/Electric Shock. If not qualified, consult an electrician.
- 3). **WARNING!** - Risk of fire or electric shock. Luminaires wiring, ballasts, or other electrical parts may be damaged when drilling for installation of reflector kit hardware. Check for enclosed wiring and components.

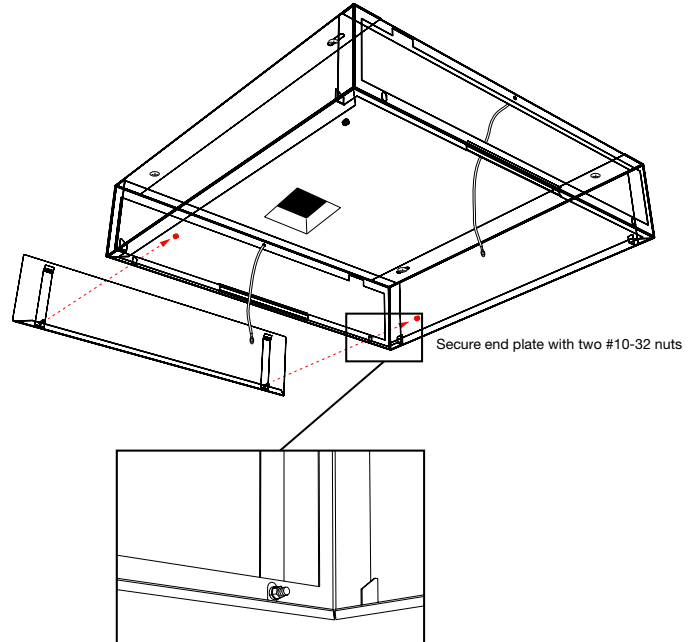
NOTES

- 1). **NOTE!** - This product must be installed in accordance with the applicable installation code by a certified electrician, familiar with the construction and operation of the product and hazards involved.
- 2). **NOTE!** - Only those open holes indicated in the photographs and/or drawings may be made or altered as a result of kit installation. Do not leave any other open holes in an enclosure of wiring or electrical components.
- 3). **NOTE!** - To prevent wiring damage or abrasion, do not expose wiring to edges of sheet metal or any sharp objects.
- 4). **NOTE!** - Disconnect all power before proceeding.

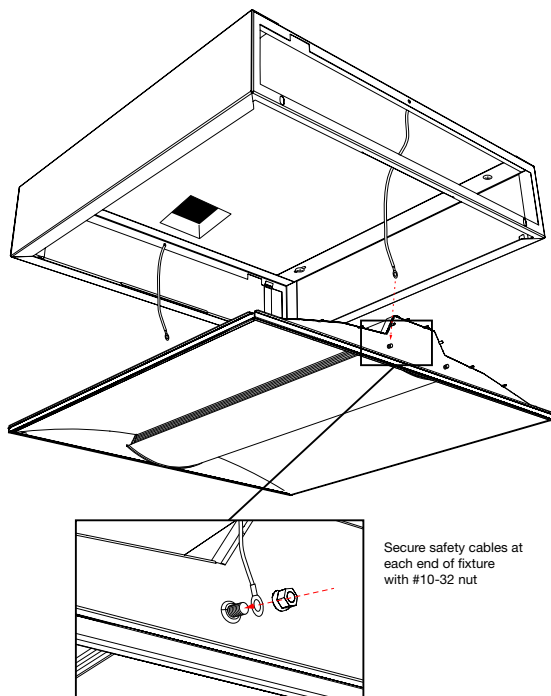
1. Using the appropriate dimensions and fasteners described on page 1, rough in junction box and loosely secure the surface mount frame to the ceiling. Ensure the frame is square prior to fully securing the frame to the ceiling. Slots will allow for adjustment once the frame is attached.



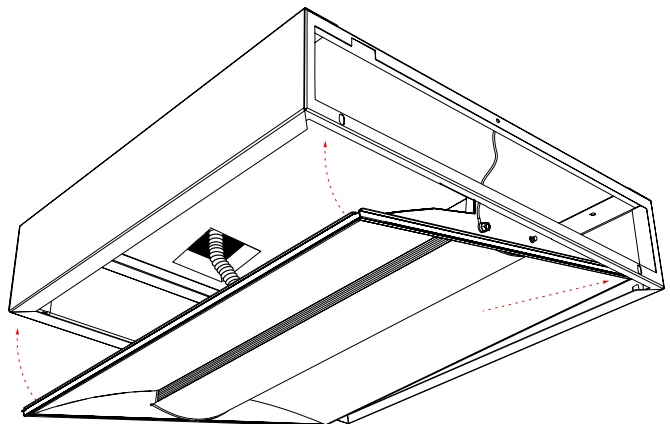
2. Secure end plate to one side of surface mount frame by securing clips to frame edge and rotating slots into studs on frame. Secure using two #10-32 nuts.



3. Prior to wiring fixture, secure safety cables at each end of the fixture by attaching to the existing protruding screws and secure with #10-32 nuts.



4. Make all electrical connections according to local code and make sure safety cables are secure. Angle the fixture into the bottom opening of the surface mount box. When installed properly, the fixture will rest on the bottom flange of the surface mount kit between locating tabs on all four corners. If the fixture is not resting properly on the bottom flange, lift it up and shift it until it rests into place.



Class R1, R2, R3 / Z1, Z2, Z3, & DIVIDE

1'x1' / 1'x4' / 2'x2' / 2'x4'

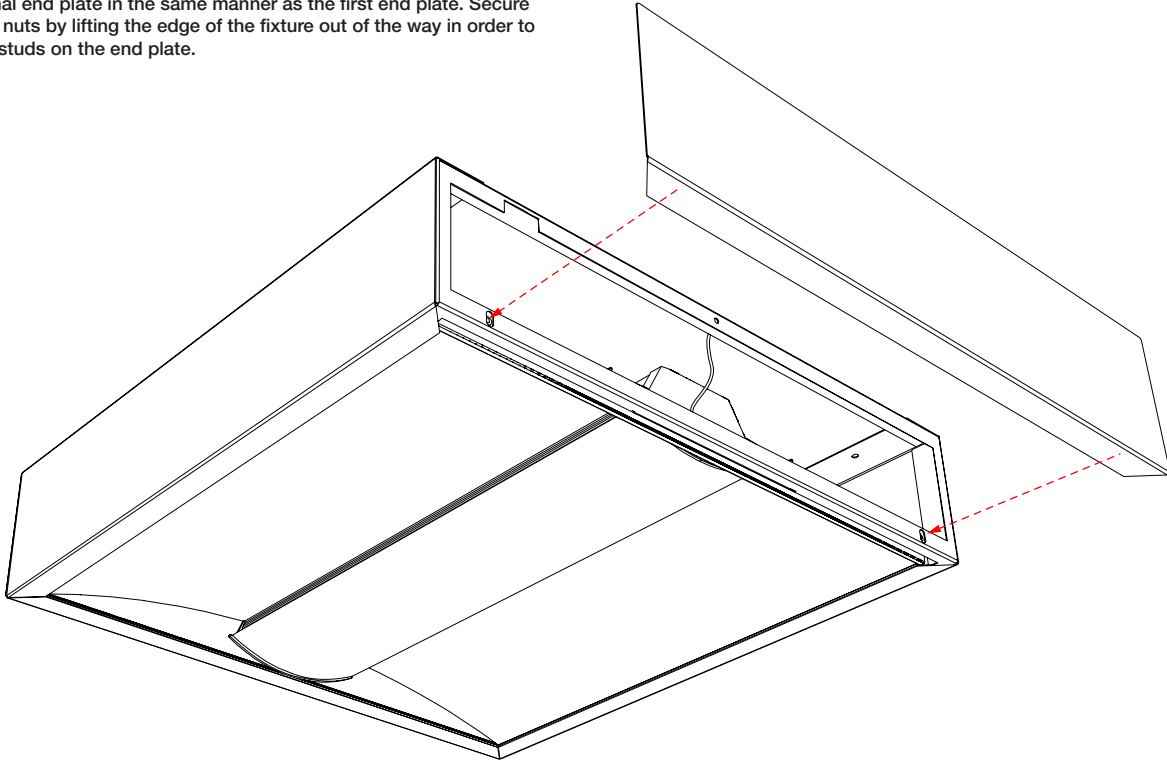
WARNINGS

- 1). **WARNING!** Risk of Electric Shock. Disconnect power at fuse or circuit breaker before installing or servicing.
- 2). **WARNING!** - Risk of Fire/Electric Shock. If not qualified, consult an electrician.
- 3). **WARNING!** - Risk of fire or electric shock. Luminaires wiring, ballasts, or other electrical parts may be damaged when drilling for installation of reflector kit hardware. Check for enclosed wiring and components.

NOTES

- 1). **NOTE!** - This product must be installed in accordance with the applicable installation code by a certified electrician, familiar with the construction and operation of the product and hazards involved.
- 2). **NOTE!** - Only those open holes indicated in the photographs and/or drawings may be made or altered as a result of kit installation. Do not leave any other open holes in an enclosure of wiring or electrical components.
- 3). **NOTE!** - To prevent wiring damage or abrasion, do not expose wiring to edges of sheet metal or any sharp objects.
- 4). **NOTE!** - Disconnect all power before proceeding.

- 5). Attach the final end plate in the same manner as the first end plate. Secure with two #10-32 nuts by lifting the edge of the fixture out of the way in order to thread onto the studs on the end plate.



- 6). Installation completed. Fixture is ready to power on.

