

Class R3/ Z3 LED

1'x2', 2'x2', 1'x4', 2'x4'

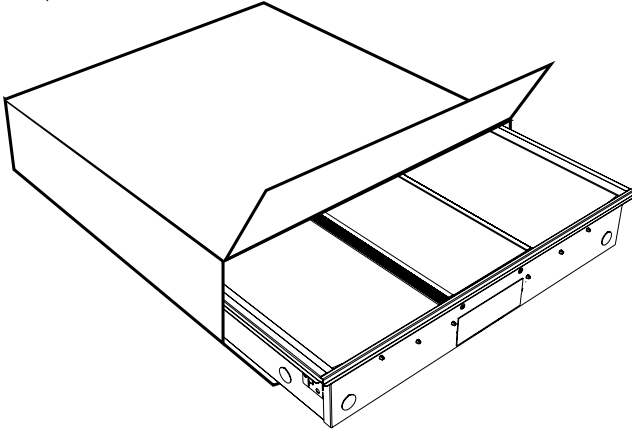
WARNINGS

- 1). **WARNING!** – Risk of Fire/Electric Shock. Disconnect power at fuse or circuit breaker before installing or servicing.
- 2). **WARNING!** – Risk of Fire/Electric Shock. If not qualified, consult an electrician.
- 3). **WARNING!** – Risk of Fire/Electric Shock. Luminaires wiring, ballasts, or other electrical parts may be damaged when drilling for installation of reflector kit hardware. Check for enclosed wiring and components.
- 4). **WARNING!** – Avoid contact with LED modules.

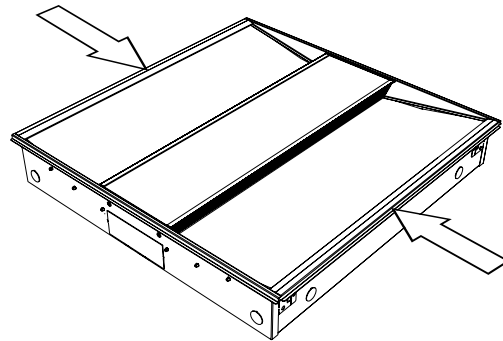
NOTES

- 1). **NOTE!** – This product must be installed in accordance with local/ national electrical codes.
- 2). **NOTE!** – Only those open holes indicated in the photographs and/or drawings may be made or altered as a result of kit installation. Do not leave any other open holes in an enclosure of wiring or electrical components.
- 3). **NOTE!** – To prevent wiring damage or abrasion, do not expose wiring to edges of sheet metal or any sharp objects.
- 4). **NOTE!** – Disconnect all power before proceeding.

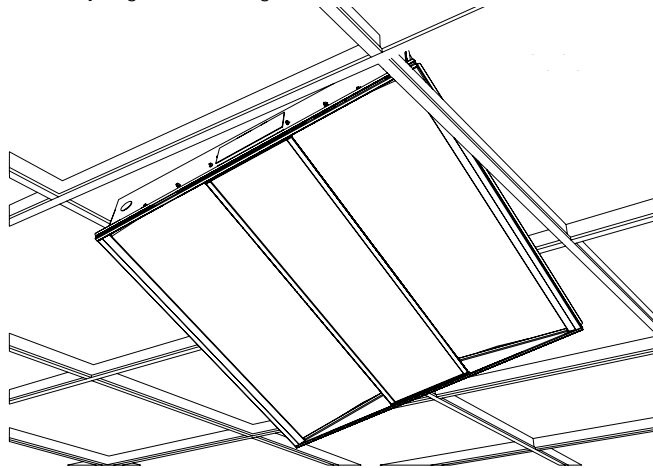
1. Unpack fixture from box.



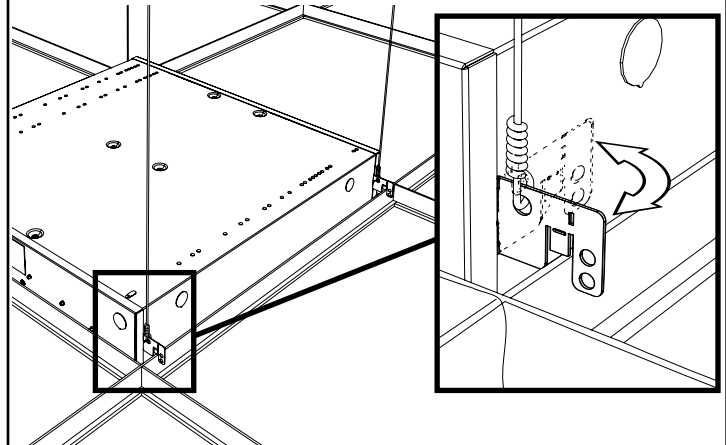
2. Do not remove lenses during installation to help protect LED modules. Hold fixture on edges as shown to avoid damage.



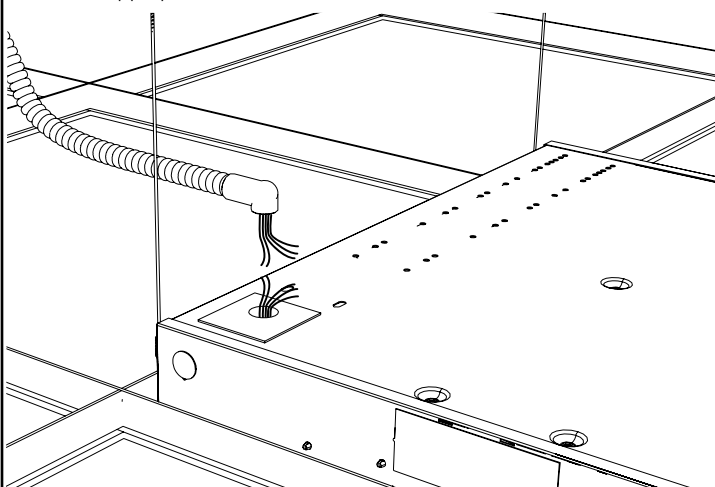
3. Carefully angle fixture into grid.



4. Bend out tabs to securing to grid frame, use holes in tabs to tie fixture back to structure at all four corners or per local code.



5. Make appropriate wire connections.



6. Ensure center and side lenses are properly and securely seated into endcaps.

