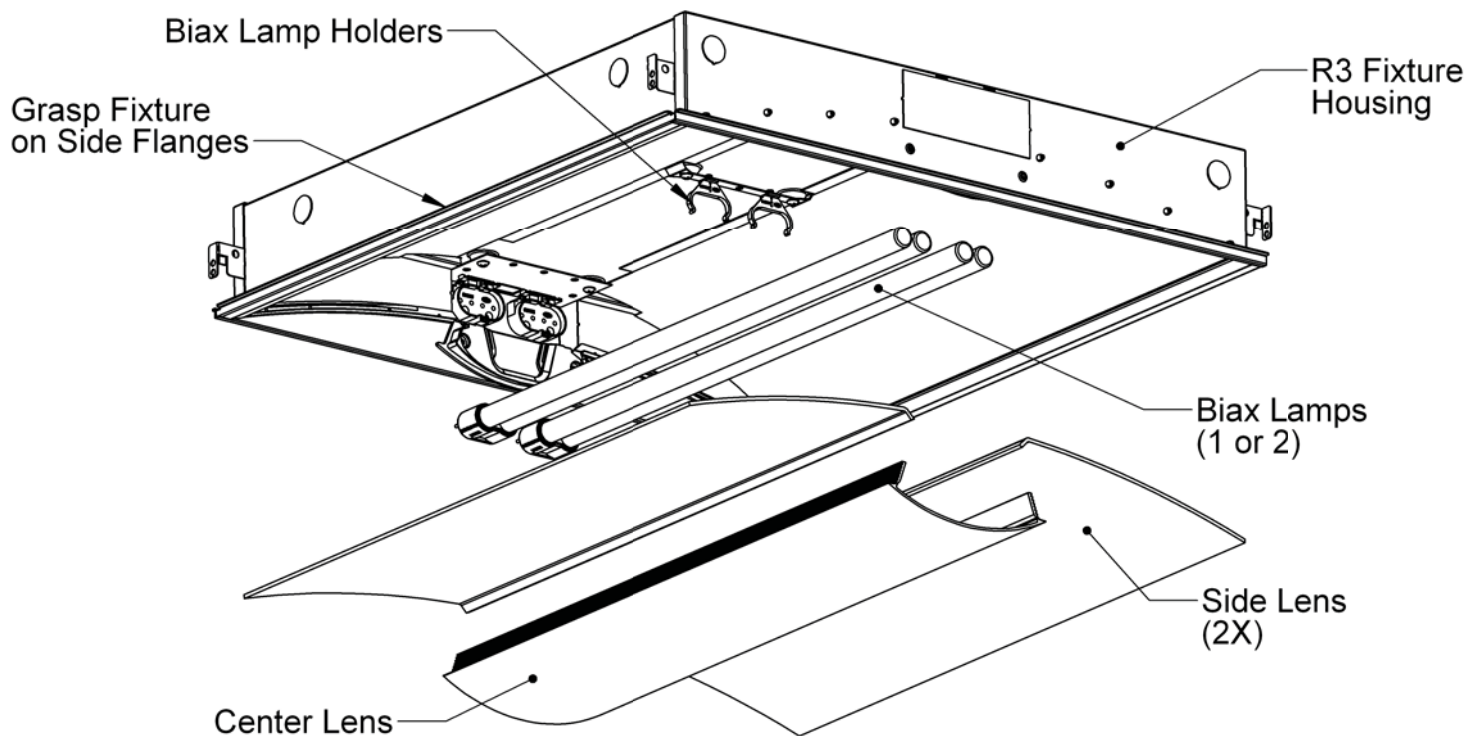


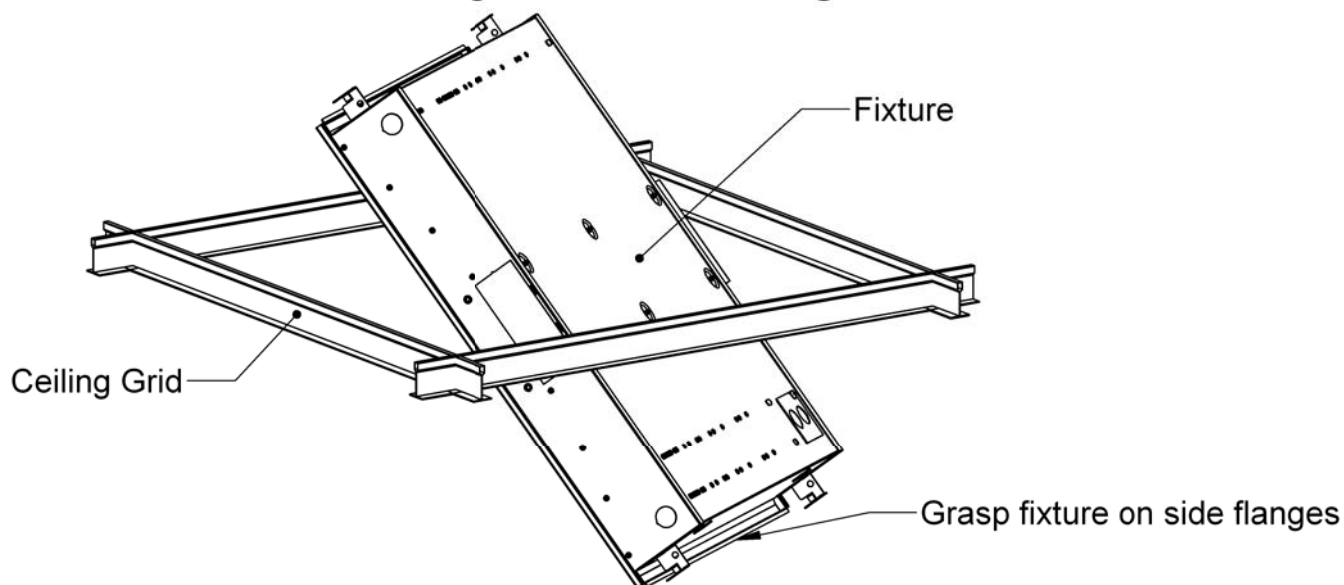
**R3 Ultra Shallow Fully Luminous Fixture
1 & 2 Lamp Biax
2' x 2' ; 2' x 4' Housing Sizes**

Warning: Before starting any work ensure that all sources of power are turned off. All work must meet local/national codes and be performed by a certified electrician. Do not mount fixtures vertically.

Exploded View and Part Call-out



Installing Fixture into Ceiling Grid

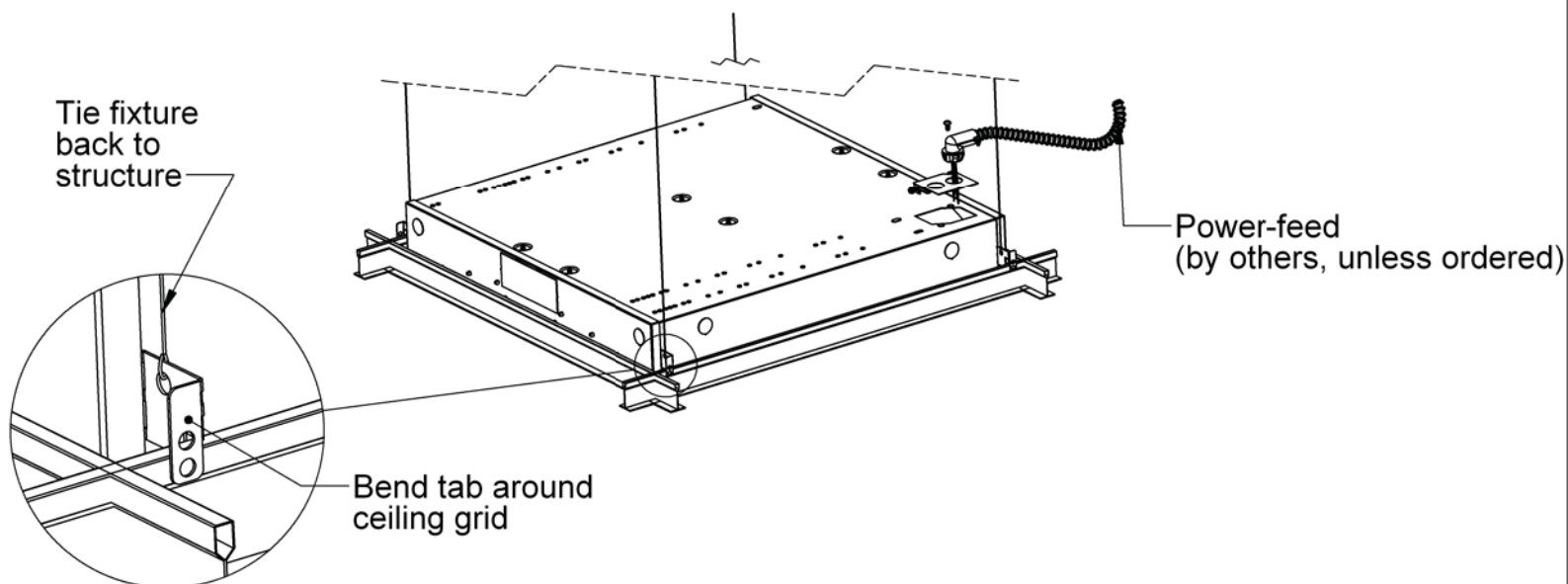


1. Firmly grasp fixture **USING CLEAN GLOVES** from sides, do not push or lift from center or side lens. Fingerprints can stick to proprietary reflective coating and can be very difficult to remove. If fingerprints are discovered, immediately wipe clean using Isopropyl alcohol on a clean rag.
2. Carefully angle and lift fixture into ceiling grid.

R3 Ultra Shallow Fully Luminous Fixture 1 & 2 Lamp Biax 2' x 2' ; 2' x 4' Housing Sizes

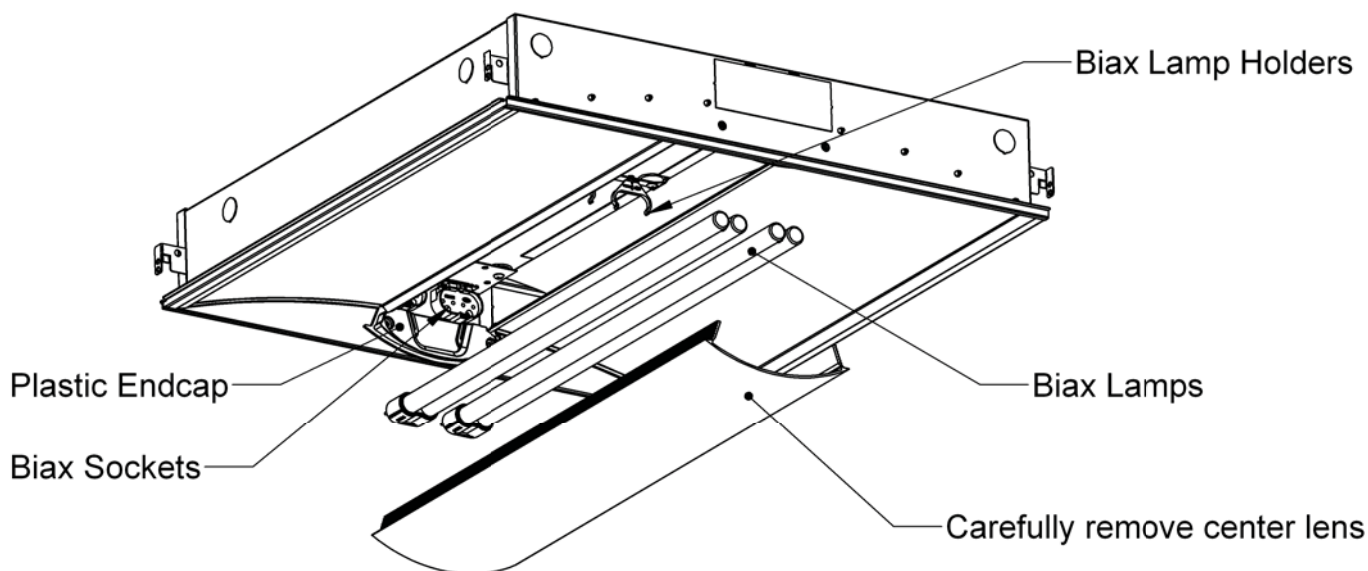
Warning: Before starting any work ensure that all sources of power are turned off. All work must meet local/national codes and be performed by a certified electrician. Do not mount fixtures vertically.

Wiring and Securing the Fixture



1. Bend tabs around ceiling grid and tie fixture back to structure per local code.
2. Remove wiring cover plate from fixture and connect power feed conduit.
3. Ensure all wires are properly connected, place wires and connections into fixture and replace cover plate.

Installing Lamps into Fixture



1. Gently remove center lens from fixture and store in a safe place.
2. Press lamp contacts into sockets at one end of fixture until lamp snaps into place.
3. Gently press lamp into biax lamp holder
4. Snap lens back into place around plastic end caps.