

## DESCRIPTION

The Corelite Z3 LED combines the internally developed Linear LED platform from Cooper Lighting with the high sense of style and superior brightness management that characterizes the CoreLite Class RZ family. The proprietary LED platform delivers a soft, diffuse volume of pure white light that carries the general character of a fluorescent source while simultaneously eliminating unsightly socket shadows and the hassle of luminaire maintenance. A guaranteed system life of 50,000 hrs combined with exceptional efficacy make the Z3 LED the ultimate solution to satisfy the most stringent energy requirements with an ultra-light carbon footprint.

Catalog #		Type
Project		
Comments		Date
Prepared by		

## SPECIFICATION FEATURES

### A ... Construction

Low profile housing constructed of die formed 20 gauge cold rolled steel with integral 20 gauge gear tray.

### B ... Reflectors

Precision tooled, high reflectance sheet metal which allows for easy access to driver compartment from below ceiling plenum.

### C ... Shielding

High light transmission clear acrylic outer lens contains acrylic frosted sheet inlay. Each component contains UV inhibitors. The lens assembly minimizes lamp image and ensures efficient light distribution. Lenses secured to housing via injection molded inserts for easy lamp access.

### D ... Electrical

Fixture equipped with proprietary Cooper LED modules available in 3000, 3500 or 4000k with a CRI plus or minus 85. Removable module features aluminum extrusion providing exceptional thermal management. Modules are driven using universal voltage switch mode LED drivers. Fixture and modules certified to UL and CUL standards. A 0 to 10V dimming control is available (standard).

### E ... Finish

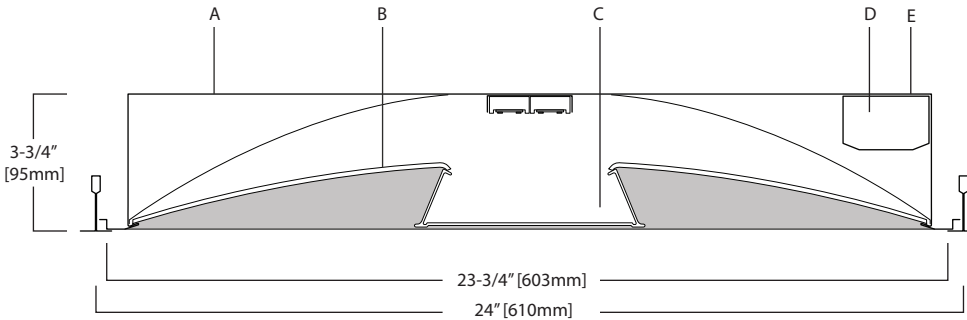
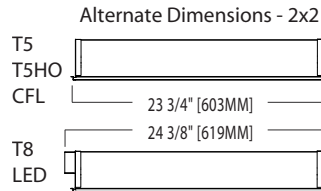
Fixture housings are high reflectance white using electrostatically applied polyester powder coat paint.

### Mounting

Standard flange design works with most lay in ceiling types. Integral pryout tabs secure luminaire to ceiling grid from above. Fixture offers tie in locations for tie wire on all corners, consult local code for appropriate tie wire recommendations.

### Note: Concealed Ceiling

Class R may be installed into inaccessible ceilings (sheet rock, wood panel, etc.). This is achieved with the Metalux DFW series drywall frame-in kit, ordered separately from Metalux. Specify CC for the Corelite Ceiling Type. Specify the following part numbers separately, from Metalux: For 2x2, order Metalux part DF-22W-U.



## CLASS Z3 Nano Prism Lens

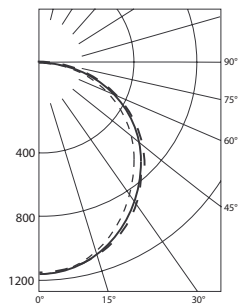
LED  
**2'x2' Recessed**  
 3-3/4" Depth

## ORDERING INFORMATION

Sample Number: Z3-WN-1L30-1C-UNV-22-T1

<b>Series</b> Z3: Class Z3	<b>Shielding</b> N: Nano Prism Lens	<b>Color Temperature</b> L30: LED, 3000K L35: LED, 3500K L40: LED, 4000K	<b>Wiring</b> <sup>1</sup> B: Battery Pack C: Standard Circuit D: Dimming E: Emergency T: Nightlight Y: Daylight	<b>Voltage</b> <sup>1</sup> 120: 120V 277: 277V 347: 347V UNV: Universal (120V-277V)	<b>Ceiling Type</b> T1: 1" Grid, Slot-Grid, 9/16" Tegular T9: 9/16" Grid CC: Concealed Ceiling SU: Surface Mount	<b>Options</b> <sup>1</sup> AR: Air Return CP: Chicago Plenum NY: New York City Construction W6: 6' Whip Flex W12: 12' Whip Flex
<b>Reflector</b> W: White	<b>Light Level</b> 1: Light Level 1 2: Light Level 2	<b>Number of Circuits</b> 1: 1 Circuit		<b>Size</b> 22: 2' x 2'		

Notes: 1 Not all options available. Please consult your Cooper Lighting Representative for availability.



Z3-WN-2L35-2x2  
3075 Lumens  
37 Watts  
83.1 LPW  
LED ALM 2.0

Test Report: #P22364

**Coefficients of Utilization**

rc	Effective floor cavity reflectance								20%												
	80%				70%				50%				30%				10%				0%
rw	70	50	30	10	70	50	30	10	50	30	10	50	30	10	50	30	10	50	30	10	0
RCR	0	119	119	119	119	116	116	116	116	111	111	111	106	106	106	102	102	102	100		
	1	109	104	99	95	106	101	98	94	97	94	91	93	91	88	90	88	86	83		
	2	99	90	83	78	96	88	82	77	85	79	75	82	77	73	78	75	71	69		
	3	90	79	71	64	87	78	70	64	75	68	63	72	66	62	69	65	60	58		
	4	82	70	61	55	80	69	61	54	66	59	53	64	58	53	62	56	52	50		
	5	76	63	54	47	74	62	53	47	59	52	46	57	51	46	56	50	45	43		
	6	70	56	47	41	68	56	47	41	54	46	40	52	45	40	50	44	40	38		
	7	65	51	42	36	63	50	42	36	49	41	36	47	41	36	46	40	35	33		
	8	60	47	38	32	59	46	38	32	45	37	32	43	37	32	42	36	32	30		
	9	56	43	35	29	55	42	34	29	41	34	29	40	33	29	39	33	29	27		
	10	53	40	32	26	52	39	32	26	38	31	26	37	31	26	36	30	26	24		

**Candela**

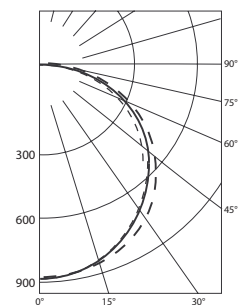
Angle	0-Deg	23-Deg	45-Deg	68-Deg	90-Deg
0	1127	1127	1127	1127	1127
5	1123	1122	1120	1118	1118
10	1107	1104	1101	1097	1096
15	1077	1074	1069	1065	1065
20	1035	1032	1023	1018	1015
25	979	975	967	960	959
30	914	909	901	900	901
35	842	838	836	838	841
40	766	760	766	776	781
45	684	681	694	714	724
50	592	598	622	650	665
55	500	516	546	584	604
60	410	426	464	513	536
65	319	339	383	435	459
70	229	252	297	350	374
75	146	168	212	260	281
80	76	97	134	163	164
85	29	41	56	63	62
90	0	0	0	0	0

**Zonal Lumen Summary**

Zone	Lumens	% Lamp	% Fixture
0-30	853	N.A.	27.7
0-40	1378	N.A.	44.8
0-60	2407	N.A.	78.3
0-90	3075	N.A.	100
40-90	1698	N.A.	55.2
60-90	668	N.A.	21.7
90-180	0	N.A.	0
0-180	3075	N.A.	100

**Luminance Data**

Angle in Deg	0-Deg cd/sm	45-Deg cd/sm	90-Deg cd/sm
45	2771	2812	2933
55	2498	2727	3017
65	2163	2596	3112
75	1616	2347	3111
85	953	1841	2038



Z3-WN-1L35-2x2  
2419 Lumens  
28.1 Watts  
86.1 LPW  
LED ALM 2.0

Test Report: #P22361

**Coefficients of Utilization**

rc	Effective floor cavity reflectance								20%												
	80%				70%				50%				30%				10%				0%
rw	70	50	30	10	70	50	30	10	50	30	10	50	30	10	50	30	10	50	30	10	0
RCR	0	119	119	119	116	116	116	116	111	111	111	106	106	106	102	102	102	100			
	1	109	104	99	95	106	101	98	94	97	94	91	93	91	88	90	88	86	83		
	2	99	90	83	78	96	88	82	77	85	79	75	82	77	73	78	75	71	69		
	3	90	79	71	64	87	78	70	64	75	68	63	72	66	62	69	65	60	58		
	4	82	70	61	55	80	69	61	54	66	59	53	64	58	53	62	56	52	50		
	5	76	63	54	47	74	62	53	47	59	52	46	57	51	46	56	50	45	43		
	6	70	56	47	41	68	56	47	41	54	46	40	52	45	40	50	44	40	38		
	7	65	51	42	36	63	50	42	36	49	41	36	47	41	36	46	40	35	33		
	8	60	47	38	32	59	46	38	32	45	37	32	43	37	32	42	36	32	30		
	9	56	43	35	29	55	42	34	29	41	34	29	40	33	29	39	33	29	27		
	10	53	40	32	26	52	39	32	26	38	31	26	37	31	26	36	30	26	24		

**Candela**

Angle	0-Deg	23-Deg	45-Deg	68-Deg	90-Deg
0	886	886	886	886	886
5	882	881	880	878	878
10	869	868	865	862	861
15	845	844	839	836	836
20	813	811	804	799	797
25	769	765	759	753	753
30	718	714	708	707	708
35	661	658	655	659	660
40	602	597	602	609	613
45	537	534	545	561	568
50	466	469	489	512	523
55	393	404	429	461	475
60	321	335	365	405	423
65	249	267	302	344	364
70	181	198	235	277	296
75	114	133	168	206	223
80	60	77	106	129	130
85	23	33	44	50	49
90	0	0	0	0	0

**Zonal Lumen Summary**

Zone	Lumens	% Lamp	% Fixture
0-30	670	N.A.	27.7
0-40	1082	N.A.	44.7
0-60	1891	N.A.	78.2
0-90	2419	N.A.	100
40-90	1337	N.A.	55.3
60-90	528	N.A.	21.8
90-180	0	N.A.	0
0-180	2419	N.A.	100

**Luminance Data**

Angle in Deg	0-Deg cd/sm	45-Deg cd/sm	90-Deg cd/sm
45	2176	2208	2301
55	1963	2143	2373
65	1688	2047	2468
75	1262	1860	2469
85	756	1446	1611