



Cooper Lighting
by **EAT•N**



AtLite

With a solid tradition of excellence in product innovation and service, we offer the most reliable exit and emergency products for both commercial and industrial applications.

For those times when effective, reliable lighting is absolutely essential, AtLite is the answer. AtLite offers the largest selection of New York City-approved exit and emergency products and is the most recognized brand serving the greater New York market.



RIVAL SERIES



RXS
Steel Exit Signs
Page 20-5



RCS LED
Combo
Page 20-6



RCS
Steel Combo
Page 20-6



REL LED
Steel Emergency Light
Page 20-7



REL
Steel Emergency Light
Page 20-8



RF LED
Remote
Page 20-9



RXD
Die-Cast Exits
Page 20-9



REUS
Surface Edge-Lit Exit
Page 20-10

EXIT SIGNS - COMMERCIAL



REUR
Recessed Edge-Lit Exit
Page 20-10



XLA1, XLN1 LED
Page 20-11



XLC4 LED Combo
Page 20-12



XLCNY8L LED
Combo
Page 20-12



PAL, PNL Contours
Page 20-13



PC3 Contours
Page 20-13



LC2-RU Exit
Page 20-14



PC4-RU LED Combo
Page 20-14

EXIT SIGNS - ARCHITECTURAL



XLA2, XLN2 LED
Page 20-15



Marathon Recessed
Page 20-16



Marathon Surface
Page 20-17



UX Series
Page 20-18



X Series
NEMA Exit
Page 20-18

EXIT SIGNS - INDUSTRIAL

EMERGENCY LIGHTING - COMMERCIAL



CB6 High
Page 20-22



SL2 STAIRLITE 2
Page 20-23



PC2 Polycarbonate
Page 20-24



PC 1-10 Contours
Page 20-25



AN Specification
Page 20-26



12UEL1 Series
Page 20-27



H Industrial
Page 20-28



X Series
NEMA Emergency
Page 20-29

EMERGENCY LIGHTING - SPECIFICATION

EMERGENCY LIGHTING - INDUSTRIAL

EMERGENCY LIGHTING - RECESSED

EMERGENCY LIGHTING REMOTES



ROB
Recessed Oblong
Page 20-30



ST
Recessed
Page 20-31



RF
Surface Heads - Metal
Page 20-32



RF
Surface Heads - Plastic
Page 20-33

ACCESSORIES

Mounting Shelf 20-34
 Wire Guards..... 20-34
 Heavy Duty Guards 20-34
 Low Voltage Remote 20-35

FEATURES

- Heavy-duty, 20-gauge steel housing with canopy
- Dual voltage input 120/277 VAC, 60Hz
- White, powder-coat finish
- Long-life, energy-efficient LEDs
- Sealed nickel cadmium batteries with 15-year life expectancy
- Universal, field-selectable chevrons
- Ceiling, wall and end mounting

ENERGY DATA

See Specification Sheet for Energy Data

Compliances may not apply to all product configurations. Please consult the product spec sheet for compliance details.

COMPLIANCES: UL924 Listed; Damp Location, NYC Code Compliant



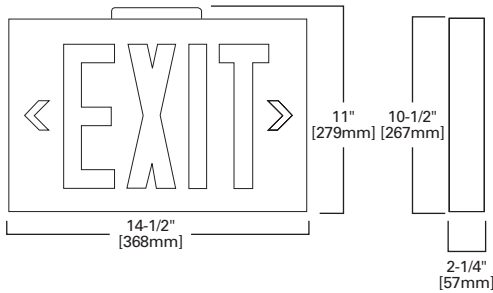
RXS - STEEL EXIT SIGNS

ORDERING INFORMATION

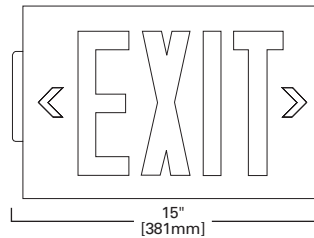
SAMPLE NUMBER: RXSN8RU

Family	Battery	Letter Size	Letter Color	Number of Faces
RXS=Rival Steel Exit	A=AC-Only N=Self-Powered	8=8"	R=Red	U=Universal (One or Two Faces)

CEILING MOUNT



END MOUNT





RCS LED - COMBO

FEATURES

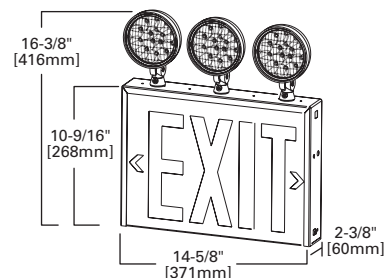
- Sign illuminated by a field-replaceable, high-brightness LED strip
- Extra capacity available for use with remote fixtures
- Capacity to run a maximum of three emergency lights
- Runs with two remote emergency light heads
- Single or double face for maximum flexibility
- Dual voltage input 120/277 VAC, 60Hz
- Heavy-duty, 20-gauge steel housing and face plate
- White powder coat finish

ENERGY DATA

See Specification Sheet for Energy Data

Compliances may not apply to all product configurations. Please consult the product spec sheet for compliance details.

COMPLIANCES: UL924 Listed; NFPA 101 Compliant, NYC Code Compliant

**ORDERING INFORMATION**

SAMPLE NUMBER: RCS183LED

Family	Faces	Letter Size	Heads	Lamp Type	Remote Capacity ¹	Options and Accessories
RCS=Rival LED Combo	1=Single Face 2=Double Face	8=8"	2=Two Heads 3=Three Heads	LED=LED	1=One Head 2=Two Heads	RFLED401=Single LED Remote Head RFLED402=Double LED Remote Head

NOTES: 1. LED Combo has a 4 LED head maximum capacity.

RCS - STEEL
COMBO**FEATURES**

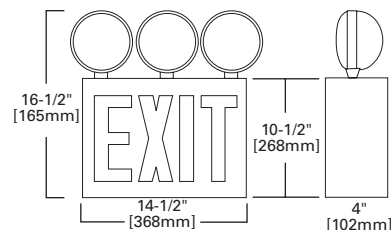
- Heavy-duty, 20-gauge steel housing
- White powder coat finish
- Dual voltage input 120/277 VAC, 60Hz
- Long-life, energy-efficient LEDs (Exit face)
- Three powerful 12-watt incandescent lamps (Emergency Heads)
- Sealed lead calcium batteries (36-watt) with available remote capacity
- Universal, field-selectable chevrons

ENERGY DATA

See Specification Sheet for Energy Data

Compliances may not apply to all product configurations. Please consult the product spec sheet for compliance details.

COMPLIANCES: UL924 Listed; Damp Location, NYC Code Compliant

**ORDERING INFORMATION**

SAMPLE NUMBER: RCS8R3

Family	Letter Size	Letter Color	Number of Heads
RCS=Rival Steel Combo	8=8"	R=Red	3=Three Heads

FEATURES

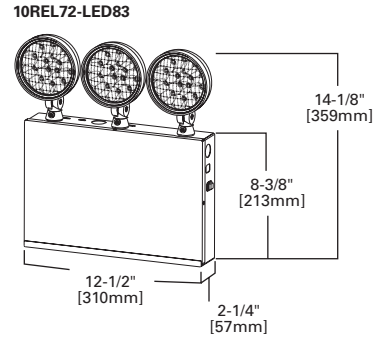
- Long-lasting, high-efficiency LED heads
- Extra capacity available for use with remote fixtures
- Capacity to run a maximum of three emergency lights
- Runs with six remote emergency light heads
- Dual voltage input 120/277 VAC, 60Hz
- Brownout protection, low-voltage disconnect
- Heavy-duty, 20-gauge steel housing and face plate
- White powder coat finish

ENERGY DATA

See Specification Sheet for Energy Data

Compliances may not apply to all product configurations. Please consult the product spec sheet for compliance details.

COMPLIANCES: UL924 Listed; NFPA 101 Compliant, NYC Code Compliant



REL LED - STEEL EMERGENCY LIGHT

ORDERING INFORMATION

Family	Heads	Watts per Head	Max. Remote Heads
10REL36-LED42	2	Lumens equal to 9W	2
10REL72-LED83	2	Lumens equal to 9W	6
10REL72-LED83	3	Lumens equal to 9W	5

OPTIONS AND ACCESSORIES

Optional: LED Remote Heads Description	Code	Accessories: Add to catalog number Description	Code
Single LED Remote Head	RFLED401	Cord Sets	
Double LED Remote Head	RFLED402	120 Volt	3 CP
		277 Volt (specify male plug type)	3 OP
		Mounting Bracket	MB
		Mounting Shelf	MS
		Wire Guards	GXBW



FEATURES

- Heavy-duty, 20-gauge steel housing
- White powder coat finish
- Dual voltage input 120/277 VAC, 60Hz
- Available in both 6 volt and 12 volt models
- Powerful incandescent lamping
- Dependable sealed lead calcium batteries

ENERGY DATA

See Specification Sheet for Energy Data

Compliances may not apply to all product configurations. Please consult the product spec sheet for compliance details.

COMPLIANCES: UL924 Listed; Damp Location, NYC Code Compliant

**REL - STEEL
EMERGENCY
LIGHT**

ORDERING INFORMATION

SAMPLE NUMBER: 6REL18

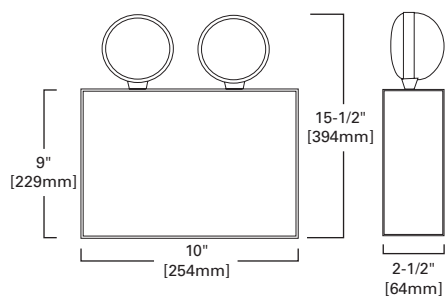
Voltage	Family	Capacity
6=6 Volt	REL=Rival Emergency Light	18=18 Watts (with (2) 9 Watt Heads) 27=27 Watts (with (2) 12 Watt Heads)

ORDERING INFORMATION

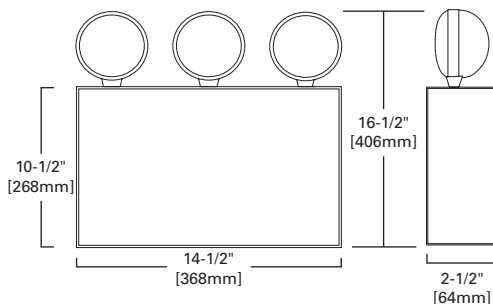
SAMPLE NUMBER: 12REL503

Voltage	Family	Capacity	Number of Heads
12=12 Volt	REL=Rival Emergency Light	50=50 Watts	3=(3) 12 Watt Heads

6REL18 / 6REL27



12REL50-3



FEATURES

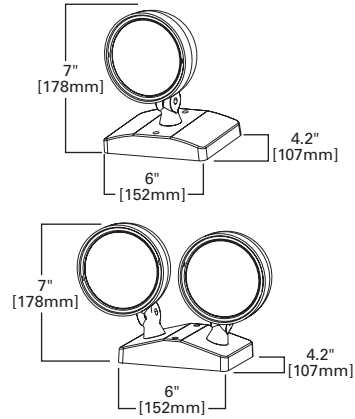
- High-impact, engineering-grade thermoplastic construction
- Reflector provides emergency lighting to the egress surface
- Must be connected to a 9.6V DC emergency battery source
- Available in both single and double head options
- Adjustable swivel

ENERGY DATA

See Specification Sheet for Energy Data

Compliances may not apply to all product configurations. Please consult the product spec sheet for compliance details.

COMPLIANCES: UL Listed, NYC Code Compliant



RF LED - REMOTE

ORDERING INFORMATION

Family	Number of Heads
RFLED401	1
RFLED402	2

FEATURES

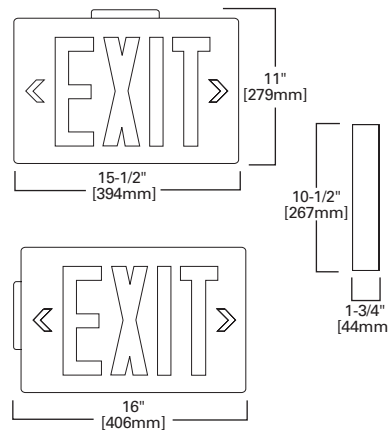
- Die-cast aluminum housing with canopy
- Brushed aluminum face
- Dual voltage input 120/277 VAC, 60Hz
- Long-life, energy-efficient LEDs
- Premium sealed nickel cadmium batteries with 15-year life expectancy
- Universal, field-selectable chevrons
- Ceiling, wall and end mounting

ENERGY DATA

See Specification Sheet for Energy Data

Compliances may not apply to all product configurations. Please consult the product spec sheet for compliance details.

COMPLIANCES: UL924 Listed; Damp Location, NYC Code Compliant



RXD - EXIT SIGN

ORDERING INFORMATION

SAMPLE NUMBER: RXDN8R1

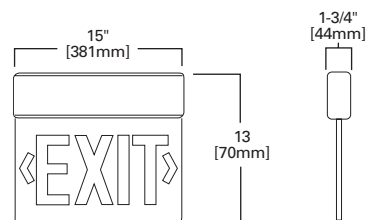
Family	Battery	Letter Size	Letter Color	Number of Faces
RXD=Rival Die-Cast Exit	N=Self-Powered	8=8"	R=Red	1=One Face 2=Two Faces

**FEATURES**

- Dual voltage input 120/277 VAC, 60Hz
- Black powder-coat painted, die-cast canopy provided
- All components, including battery and electronics, located internally
- REUS Series Exit can be universally surface mounted
- Universal J-box mounting pattern
- High-impact, clear acrylic panel
- Clear single face or mirrored double face panels are standard
- Bright red letters
- Universal field-installable chevrons in bright red and green

ENERGY DATA

See Specification Sheet for Energy Data



REUS - SURFACE EDGE-LIT EXIT SIGN

Compliances may not apply to all product configurations. Please consult the product spec sheet for compliance details.

COMPLIANCES: UL924 Listed; NFPA 101 Compliant, NYC Code Compliant

ORDERING INFORMATION

SAMPLE NUMBER: REUSA18R

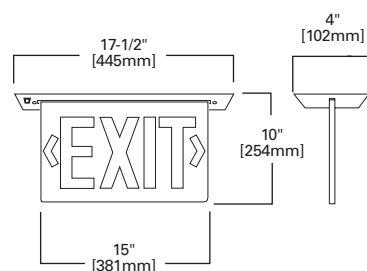
Family	Mounting	Battery	Face Options	Letter Color
REU=Rival Edge-Lit	S=Surface	A=AC-Only N=Self-Powered	18=Single Face, 8" Letters 28=Double Face, 8" Letters	R=Red

**FEATURES**

- Dual voltage input 120/277 VAC, 60Hz
- Black powder-coat painted, die-cast canopy provided
- All components, including battery and electronics, located internally
- Universal J-box mounting pattern
- High-impact, clear acrylic panel
- Clear single face or mirrored double face panels are standard
- Bright red letters
- Universal field-installable chevrons in bright red and green
- Solid-state Voltage Limited Charger, Brownout Circuit Protection

ENERGY DATA

See Specification Sheet for Energy Data



REUR - RECESSED EDGE-LIT EXIT SIGN

Compliances may not apply to all product configurations. Please consult the product spec sheet for compliance details.

COMPLIANCES: UL924 Listed; NFPA 101 Compliant, NYC Code Compliant

ORDERING INFORMATION

SAMPLE NUMBER: REURA18R

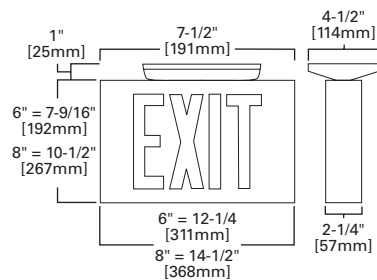
Family	Mounting	Battery	Face Options	Letter Color
REU=Rival Edge-Lit	R=Recessed (Accessible Ceiling Only)	A=AC-Only N=Self-Powered	18=Single Face, 8" Letters 28=Double Face, 8" Letters	R=Red

FEATURES

- Dual-voltage input 120/277 VAC, 60Hz
- Solid-state circuitry (no mechanical relay is used)
- Constant-current charger
- Sealed, maintenance-free nickel cadmium battery
- Formed 20-gauge steel housing and faceplate construction
- Durable powder coat white finish standard; other finishes available
- Easily-removed, changeable directional chevrons
- Low-profile canopy
- Recessed version available

Compliances may not apply to all product configurations. Please consult the product spec sheet for compliance details.

COMPLIANCES: UL924 Listed; NFPA 101 Compliant, NYC Code Compliant



XLA1, XLN1 LED EXIT SIGN

ORDERING INFORMATION

SAMPLE NUMBER: XLA1-6SR1

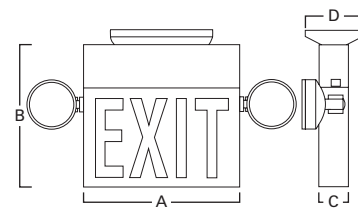
Family	Letter Size	Housing	Letter Color	Number of Faces	Options and Accessories
XLA1 =AC Only XLN1 =Self-Powered	6 =6" 8 =8" (Red Only)	S =Steel	G =Green R =Red	1 =One Face 1C =One Face with Canopy 2U =Universal, Two Faces with Canopy and Extra Backplate	<p>Accessories</p> <p>CXB=Canopy Kit, Black CXW=Canopy Kit, White GXB=Wire Guard, Wall Mount, AC-Only Exit GXBC=Wire Guard, Ceiling-End Wall Mount, Self-Powered Exit GXBW=Wire Guard, Wall Mount, Self-Powered Exit GXC=Wire Guard, Ceiling-End Wall Mount, AC-Only Exit STB12=12" Stem and Canopy Kit, Black STB6=6" Stem and Canopy Kit, Black STW12=12" Stem and Canopy Kit, White STW6=6" Stem and Canopy Kit, White</p> <p>Options</p> <p>ABZ=Buzzer (On Fire Signal), 12-48 Volt AC/DC or Dry Contact Control BZ=Buzzer (Emergency Only) F=Flasher (Emergency Only) FA=Flasher (On Fire Signal), 12-48 Volt AC/DC or Dry Contact Control FA/BZ=Flasher/Buzzer (On Fire Signal), 12-48 Volt AC/DC or Dry Contact Control FB=Flasher/Buzzer (Emergency Only)</p>

**FEATURES**

- Dual 120/277 VAC, 60Hz input
- Solid-state circuitry (no mechanical relay is used)
- Output short-circuit and reverse polarity protected
- Transfer with AC line-latching
- Brownout protection
- Sealed, maintenance-free, lead calcium battery
- Formed 20-gauge steel housing and faceplate
- Low-profile mounting canopy
- Easily removed, changeable directional chevrons

Compliances may not apply to all product configurations. Please consult the product spec sheet for compliance details.

COMPLIANCES: UL924 Listed; NFPA 101 Compliant, NYC Code Compliant



Letters	A	B	C	D
6"	16-5/8" [422mm]	7-9/16" [192mm]	2-1/4" [57mm]	4-1/2" [114mm]
8"	18/7/8" [479mm]	10-1/2" [266mm]	2-1/4" [57mm]	4-1/2" [114mm]

XLC4 LED COMBO**ORDERING INFORMATION**

SAMPLE NUMBER: XLC4-8-SRU-0

Family	Letter Size	Housing	Letter Color	Number of Faces	Number of Heads
XLC4=Self-Powered Combo	6=6" 8=8" (Red Only) ¹	S=Steel	G=Green R=Red	1=One Face U=Two Faces with Canopy and Extra Backplate	0=No Heads 1L=One Head, Left Side ² 1R=One Head, Right Side ² [Blank]=2 Heads (Standard)

Options and Accessories**Accessories**

CXB=Canopy Kit, Black

CXW=Canopy Kit, White

STB12=12" Stem and Canopy Kit, Black

STB6=6" Stem and Canopy Kit, Black

STW12=12" Stem and Canopy Kit, White

STW6=6" Stem and Canopy Kit, White

GXB=Wire Guard, Wall Mount, AC-Only Exit

GXBC=Wire Guard, Ceiling-End Wall Mount, Self-Powered Exit

GXBW=Wire Guard, Wall Mount, Self-Powered Exit

GXC=Wire Guard, Ceiling-End Wall Mount, AC-Only Exit

6RW12=Replacement Lamp - 8" Exits

6RW5=Replacement Lamp - 6" Exits

Options (add to catalog number)

ABZ=Buzzer (On Fire Signal), 12-48 Volt AC/DC or Dry Contact Control

BZ=Buzzer (Emergency Only)

F=Flasher (Emergency Only)

FA=Flasher (On Fire Signal), 12-48 Volt AC/DC or Dry Contact Control

FA/BZ=Flasher/Buzzer (On Fire Signal), 12-48 Volt AC/DC or Dry Contact Control

FB=Flasher/Buzzer (Emergency Only)

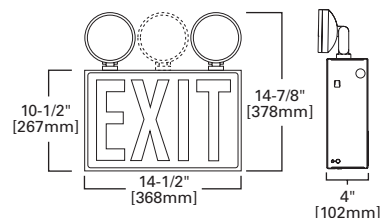
NOTES: 1. NYC Code Compliant with 8" letters only. 2. With one head mounted on main unit.

**FEATURES**

- Dual-voltage input 120/277 VAC, 60Hz
- Solid-state circuitry (no mechanical relay is used)
- Output short-circuit and reverse polarity protected
- Transfer with AC line-latching
- Brownout protection
- Sealed, maintenance-free lead calcium battery
- Formed 20-gauge steel housing and faceplate
- Easily removed updated directional chevrons
- Low-profile mounting canopy

Compliances may not apply to all product configurations. Please consult the product spec sheet for compliance details.

COMPLIANCES: UL924 Listed; NFPA 101 Compliant, NYC Code Compliant

**XLCNY8L LED COMBO****ORDERING INFORMATION**

SAMPLE NUMBER: XLCNY8L

Family	Capacity	Number of Heads	Lamp Type	Optional Remote Capacity
XLCNY8L=Steel Combo Emergency with LED Exit Sign ¹ XLCNY8SDL=Steel Combo Emergency with LED Exit Sign and Self-Diagnostic ²	54=54 Watts [Blank]=27 Watts	0=No Heads 1=One Heads 3=Three Heads [Blank]=Two Heads	6RW12 6RW9	27=27 Watts Extra ³ 54=54 Watts Extra ³

Options and Accessories

8RBK=Second Face Kit (Includes Additional Red Color Matched Solid Diffuser and White Stencil)

BB=Black Housing/Black Stencil

BS=Black Housing/Silver Stencil

HOS=Heads on the Side

WS=White Housing/Silver Stencil

CM=Ceiling Mounting Kit (Pendant type for ceiling mounting allowing for lighting heads. 6" stem is standard.)

GXB=Wire Guard, Wall Mount, AC-Only Exit

GXBC=Wire Guard, Ceiling-End Wall Mount, Self-Powered Exit

GXBW=Wire Guard, Wall Mount, Self-Powered Exit

GXC=Wire Guard, Ceiling-End Wall Mount, AC-Only Exit

NOTES: 1. Laser Check is standard on XLCNY8L. 2. SDL option includes Self-Diagnostic circuitry with Laser Test capability. 3. With no heads mounted on main unit.

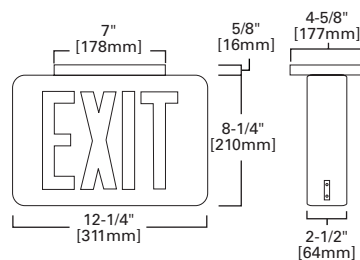
Specifications and dimensions subject to change without notice. Consult your Cooper Lighting Representative or visit www.cooperlighting.com for available options, accessories and ordering information.

FEATURES

- 120/277 VAC, 60Hz input standard, Dual on XPAL and XPNL
- Solid-state circuitry (no mechanical relay is used)
- Sealed, maintenance-free, nickel cadmium battery
- White and black finishes are available
- Snap-together, injection-molded plastic construction
- Contemporary-styled, soft-corner design
- Easily removed changeable directional chevrons
- Variety of electrical and universal J-box mounting knockouts
- Low-profile mounting canopy

Compliances may not apply to all product configurations. Please consult the product spec sheet for compliance details.

COMPLIANCES: UL924 Listed; NFPA 101 Compliant



**PAL, PNL
CONTOURS EXIT
SIGN**

ORDERING INFORMATION

SAMPLE NUMBER: PNL-GU-BLK

Family	Letter Color	Number of Faces	Optional Finish
PAL =AC-Only Units, LED Illumination Dual Voltage 120/277 VAC PNL =Self-Powered, LED Illumination, Dual Voltage 120/277 VAC	G =Green R =Red	U =Universal, Two Faces with Canopy and Extra Backplate	BLK =Black

Options and Accessories

Accessories

- GXB**=Wire Guard, Wall Mount, AC-Only Exit
- GXBC**=Wire Guard, Ceiling-End Wall Mount, Self-Powered Exit
- GXBW**=Wire Guard, Wall Mount, Self-Powered Exit
- GXC**=Wire Guard, Ceiling-End Wall Mount, AC-Only Exit
- PCB**=Canopy Kit, Black
- PCW**=Canopy Kit, White
- PSTB12**=12" Stem and Canopy Kit, Black
- PSTB6**=6" Stem and Canopy Kit, Black
- PSTW12**=12" Stem and Canopy Kit, White
- PSTW6**=6" Stem and Canopy Kit, White

Options

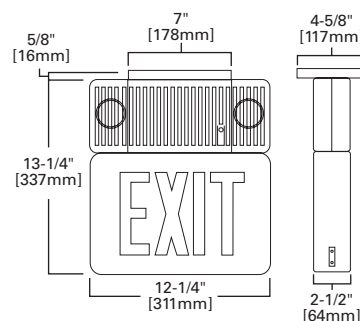
- ABZ**=Buzzer (On Fire Signal), 12-48 Volt AC/DC or Dry Contact Control
- BZ**=Buzzer (Emergency Only)
- F**=Flasher (Emergency Only)
- FA**=Flasher (On Fire Signal), 12-48 Volt AC/DC or Dry Contact Control
- FA/BZ**=Flasher/Buzzer (On Fire Signal), 12-48 Volt AC/DC or Dry Contact Control
- FB**=Flasher/Buzzer (Emergency Only)
- EM12**=12 Volt DC Sockets and Lamps, Factory Installed
- EM6**=6 Volt DC Sockets and Lamps, Factory Installed

FEATURES

- Dual 120/277 VAC, 60Hz input
- Solid-state circuitry (no mechanical relay is used)
- Output short-circuit and reverse polarity protected
- Transfer with AC line-latching
- Brownout protection
- Sealed, maintenance-free lead calcium battery
- Snap-together, injection-molded plastic construction
- Focus-enhancing emergency lenses
- Contemporary styled, soft-corner design

Compliances may not apply to all product configurations. Please consult the product spec sheet for compliance details.

COMPLIANCES: UL924 Listed; NFPA 101 Compliant



**PC3 CONTOURS
COMBO**

ORDERING INFORMATION

SAMPLE NUMBER: PC3-RU-BLK

Family	Letter Color	Number of Faces	Finish
PC3 =Self-powered polycarbonate combo emergency with LED exit sign	G =Green R =Red	1 =One Face U =Universal, Two Faces with Canopy and Extra Backplate	[Blank] =White BLK =Black

Options and Accessories

Accessories

- GXB**=Wire Guard, Wall Mount, AC-Only Exit
- GXBC**=Wire Guard, Ceiling-End Wall Mount, Self-Powered Exit
- GXBW**=Wire Guard, Wall Mount, Self-Powered Exit
- GXC**=Wire Guard, Ceiling-End Wall Mount, AC-Only Exit
- PCB**=Canopy Kit, Black
- PCW**=Canopy Kit, White
- PSTB12**=12" Stem and Canopy Kit, Black
- PSTB6**=6" Stem and Canopy Kit, Black
- PSTW12**=12" Stem and Canopy Kit, White
- PSTW6**=6" Stem and Canopy Kit, White

Options

- ABZ**=Buzzer (On Fire Signal), 12-48 Volt AC/DC or Dry Contact Control
- BZ**=Buzzer (Emergency Only)
- F**=Flasher (Emergency Only)
- FA**=Flasher (On Fire Signal), 12-48 Volt AC/DC or Dry Contact Control
- FA/BZ**=Flasher/Buzzer (On Fire Signal), 12-48 Volt AC/DC or Dry Contact Control
- FB**=Flasher/Buzzer (Emergency Only)



LC2-RU EXIT SIGN

FEATURES

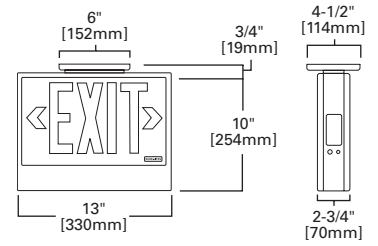
- Dual 120/277 VAC, 60Hz input
- Solid-state circuitry (no mechanical relay is used)
- Output short-circuit and reverse polarity protected
- Brownout protection
- Sealed, maintenance-free lead calcium battery
- 11 watts of remote capability
- Injection molded, color-stable components
- Easily removed, changeable directional chevrons
- Variety of electrical and universal J-box mounting knockouts

ENERGY DATA

See Specification Sheet for Energy Data

Compliances may not apply to all product configurations. Please consult the product spec sheet for compliance details.

COMPLIANCES: UL924 Listed; NFPA 101 Compliant



ORDERING INFORMATION

SAMPLE NUMBER: LC2-RU

Family	Letter Color	Number of Faces
LC2=Self-Powered Combo High Power Remote Capacity	R=Red	U=Universal, Two Faces with Canopy and Extra Backplate



PC4-RU COMBO

FEATURES

- Dual 120/277 VAC, 60Hz input
- Solid-state switching
- Solid-state voltage limited charger
- Overload/short-circuit protection
- Transfer with AC line-latching
- Brownout protection
- Sealed, maintenance-free lead calcium battery
- Snap-together, injection-molded plastic construction
- Designer white, textured finish standard

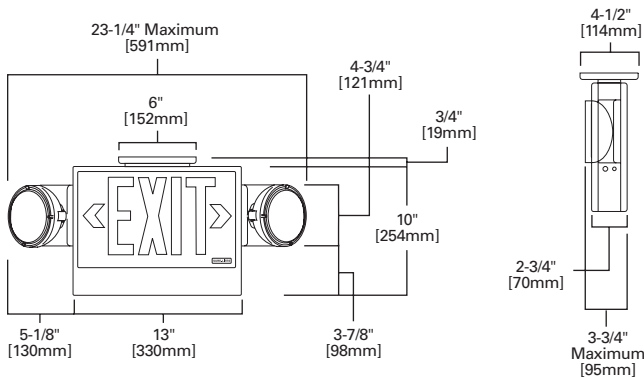
Compliances may not apply to all product configurations. Please consult the product spec sheet for compliance details.

COMPLIANCES: UL924 Listed; NFPA 101 Compliant

ORDERING INFORMATION

SAMPLE NUMBER: PC4-RU

Family	Letter Color	Number of Faces
PC4=Self-powered combo, LED illumination, with Heads	R=Red	U=Universal, Two Faces with Canopy and Extra Backplate



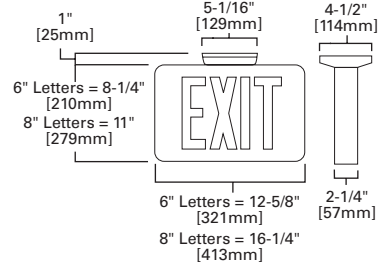
Specifications and dimensions subject to change without notice. Consult your Cooper Lighting Representative or visit www.cooperlighting.com for available options, accessories and ordering information.

FEATURES

- Dual-voltage input 120/277 VAC, 60Hz
- Solid-state circuitry (no mechanical relay is used)
- Constant-current charger
- Sealed, maintenance-free nickel cadmium battery
- Durable die-cast aluminum housing and faceplate
- Contemporary styled, soft-corner design
- White and black finishes available, brushed finish standard
- Easily removed, changeable directional chevrons
- Low-profile mounting canopy

Compliances may not apply to all product configurations. Please consult the product spec sheet for compliance details.

COMPLIANCES: UL924 Listed; NFPA 101 Compliant, NYC Code Compliant



XLA2, XLN2 LED EXIT SIGN

ORDERING INFORMATION

SAMPLE NUMBER: XLA26DR1

Family	Letter Size	Housing	Letter Color	Number of Faces	Options and Accessories
XLA2 =AC-Only XLN2 =Self-Powered	6 =6" 8 =8" (Red Only) ¹	D =Die-Cast	G =Green R =Red	1 =One Face 1C =One Face with Canopy 2C =Two Faces with Canopy	<p>Accessories</p> <p>DCB=Canopy Kit, Black DCW=Canopy Kit, White GXB=Wire Guard, Wall Mount, AC-Only Exit GXBC=Wire Guard, Ceiling-End Wall Mount, Self-Powered Exit GXBW=Wire Guard, Wall Mount, Self-Powered Exit GXC=Wire Guard, Ceiling-End Wall Mount, AC-Only Exit STDB12=12" Stem and Canopy Kit, Black STDB6=6" Stem and Canopy Kit, Black STDW12=12" Stem and Canopy Kit, White STDW6=6" Stem and Canopy Kit, White TPS=Stainless Steel Tamperproof Screws VRS=Vandal Resistant Shield</p> <p>Options (add to catalog number)</p> <p>ABZ=Buzzer (On Fire Signal), 12-48 Volt AC/DC or Dry Contact Control BZ=Buzzer (Emergency Only) F=Flasher (Emergency Only) FA=Flasher (On Fire Signal), 12-48 Volt AC/DC or Dry Contact Control FA/BZ=Flasher/Buzzer (On Fire Signal), 12-48 Volt AC/DC or Dry Contact Control FB=Flasher/Buzzer (Emergency Only) EM12=12 Volt DC Sockets and Lamps, Factory Installed EM6=6 Volt DC Sockets and Lamps, Factory Installed</p>

NOTES: 1. NYC Code Compliant with 8" letters only.



FEATURES

- Dual 120/277 VAC 60Hz input
- Solid-state voltage charger and switching in self-powered version
- Brownout circuit
- Test switch/power indicator light in self-powered version
- Long-life, energy-efficient LED lamps
- 18-gauge steel recessed housing with conduit knockouts
- Recessed housing for ceiling or wall mounting
- Adjustable hanger bars
- Connectors facilitate quick installation and maintenance
- Injection molded, high-impact acrylic panel

Compliances may not apply to all product configurations. Please consult the product spec sheet for compliance details.

COMPLIANCES: UL924 Listed; NFPA 101 Compliant, NYC Code Compliant

**MARATHON
RECESSED EDGE-
LIT EXIT SIGN**

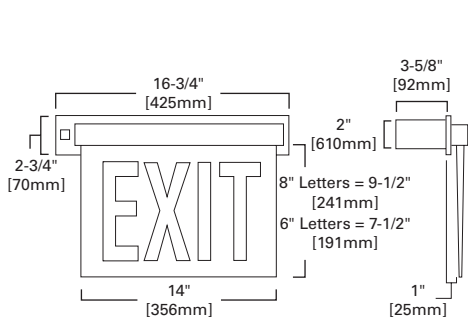
ORDERING INFORMATION^Δ

SAMPLE NUMBER: TAC26GWPALR

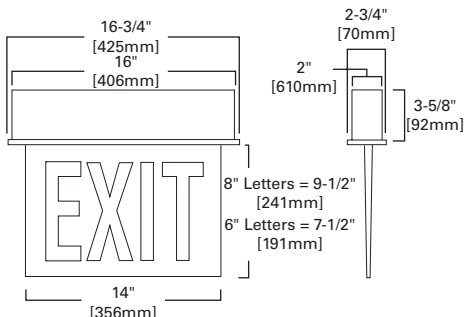
Operation	Mounting	Number of Faces	Letter Size	Letter/Panel Color	Trim Finish	Arrow Direction
A=AC-Only S=Self-Powered	C=Ceiling W=Wall	1=Single 2=Double	6=6" 8=8" (Red Only) ¹	GC=Green on Clear (Single Face Only) GW=Green on White RC=Red on Clear (Single Face Only) RM=Red on Mirror Mylar RW=Red on White	BK=Polished Black BR=Polished Brass BZ=Bronze PA=Polished Aluminum SA=Satin Aluminum WH=White	[Blank]=No Arrow AL=Arrow Left AR=Arrow Right DH=Double Headed Arrows LR=Double Face Arrows

NOTES: Δ Prefix T in front of catalog (TAC26GWPALR) to order trim. Δ To order housing, use one of the following catalog numbers: HA (Housing, AC Only); HS1 (Housing, Self-Powered Single Face); HS2 (Housing, Self-Powered Double Face). 1. NYC Code Compliant with 8" letters only.

RECESSED, WALL MOUNT



RECESSED, CEILING MOUNT



FEATURES

- Dual 120/277 VAC 60Hz input
- Solid-state battery charger and switching in self-powered version
- Brownout circuit; test switch/power indicator light
- Long-life, energy-efficient LED lamps
- High-impact, clear acrylic panel

Compliances may not apply to all product configurations. Please consult the product spec sheet for compliance details.

COMPLIANCES: UL924 Listed; NFPA 101 Compliant, NYC Code Compliant



**MARATHON
SURFACE
EDGE-LIT
EXIT SIGN**

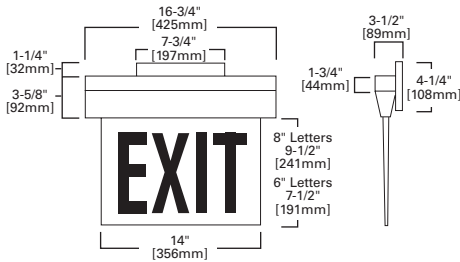
ORDERING INFORMATION

SAMPLE NUMBER: SCMA16GCBKAL

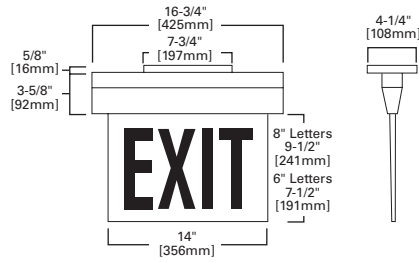
Mounting	Operation	Number of Faces	Letter Size	Letter/Panel Color	Trim Finish	Arrow Direction
SBM =Back Wall SCM =Ceiling SEM =End Wall SPM =Pendant	A =AC-Only S =Self-Powered	1 =Single 2 =Double	6 =6" 8 =8" (Red Only) ¹	GC =Green on Clear (Single Face Only) GW =Green on White RC =Red on Clear (Single Face Only) RM =Red on Mirror Mylar RW =Red on White	BK =Polished Black BR =Polished Brass BZ =Bronze PA =Polished Aluminum SA =Satin Aluminum WH =White	[Blank] =No Arrow AL =Arrow Left AR =Arrow Right DH =Double Headed Arrows LR =Double Face Arrows

NOTES: 1. NYC Code Compliant with 8" letters only.

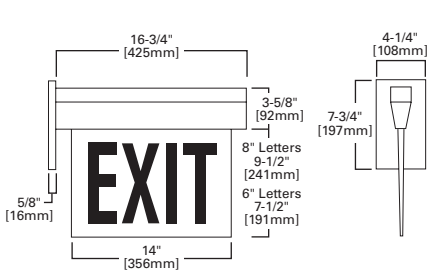
SURFACE, WALL MOUNT



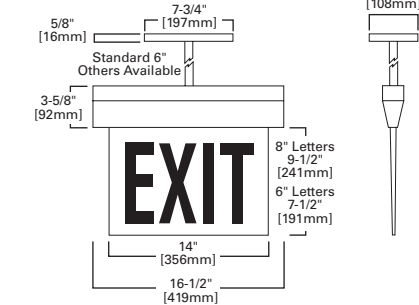
SURFACE, CEILING MOUNT



SURFACE, END MOUNT



SURFACE, PENDANT MOUNT





FEATURES

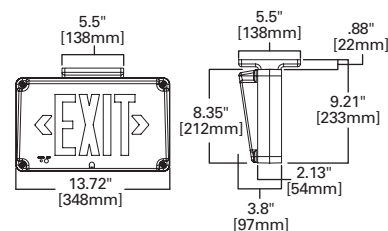
- Dual-voltage input 120/277 VAC, 60Hz, isolation transformer
- Watch-guard EMS self-diagnostic system (self-powered only)
- Die-cast aluminum housing
- Universal-pattern knockouts on single face housing
- Exit can be universally mounted
- Suitable for wet and damp locations. NEMA 4X rated
- Easily removed chevrons

ENERGY DATA

See Specification Sheet for Energy Data

Compliances may not apply to all product configurations. Please consult the product spec sheet for compliance details.

COMPLIANCES: UL Listed - Wet Location, UL844 Listed, UL924 Listed; NFPA 101 Compliant, IP66 Rated, NEMA 4X Rated



**UX SERIES
EXIT SIGN**

ORDERING INFORMATION

SAMPLE NUMBER: UXA6DRX1

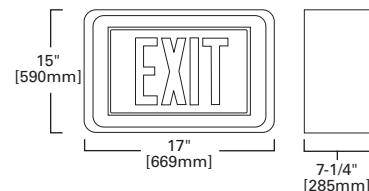
Family	Letter Size	Housing	Letter Color	Number of Faces	NEMA Listing	Self-Diagnostics	Options and Accessories
UXA=AC-Only UXN=Self-Powered	6=6"	D=Die-Cast Aluminum	G=Green R=Red	1=One Face U=Universal Face	X=NEMA 4X	SDL=Self-Diagnostics with Laser Test	LASER =Key Chain, Red Laser Pointer (activation tested at 30 feet). UKUX =Coverts single face exit to double face exit. Contains (1) red lens, (1) green lens, (1) vandal shield and tamperproof screws. UXPKA =Pendant Kit Adapter (Fitting adapts exit to 1/2" NPT threaded pendant supplied by others). VRSD =Vandal Resistant Screwdriver



- Dual 120/77 VAC, 60Hz input
- Circuit is battery short circuit and brownout protected
- Nickel cadmium battery
- External mounting feet
- Universal arrows
- Molded housing with clear lexan front cover
- NEMA 4X Rated Enclosure

Compliances may not apply to all product configurations. Please consult the product spec sheet for compliance details.

COMPLIANCES: UL924 Listed; NFPA 101 Compliant



**X SERIES
NEMA EXIT**

ORDERING INFORMATION

SAMPLE NUMBER: XLCNY8-X

Family	Capacity	Number of Heads	Options and Accessories
XLCNY8-X=8" Letters with Emergency Heads, Incandescent	[Blank]=27 Watts	[Blank]=Two Heads 3=Three Heads	MBW =Wall Mount Bracket MBC =Ceiling Mount Bracket -2=Two Head (consult factory) -3=Three Head (consult factory)

ORDERING INFORMATION

SAMPLE NUMBER: XLC4-SR1-X

Family	Number of Heads	Options and Accessories
XLC4-SR1-X=6" Letters with Emergency Heads	[Blank]=Two Heads	MBW =Wall Mount Bracket MBC =Ceiling Mount Bracket -2=Two Head (consult factory) -3=Three Head (consult factory)

ORDERING INFORMATION - NEW YORK CITY / NATIONAL

Family Battery Backup	Family AC Only	Description
XLN1-6SR1-X	XLA1-6SR1-X	6" Letters, LED illumination
XLN1-8SR1-X	XLA1-8SR1-X	8" Letters, LED illumination

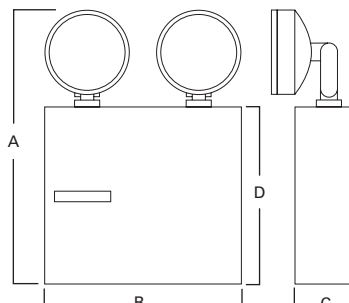
Specifications and dimensions subject to change without notice. Consult your Cooper Lighting Representative or visit www.cooperlighting.com for available options, accessories and ordering information.

FEATURES

- Dual 120/277 VAC 60Hz input
- Two-step charger
- Line-latched transfer circuit, brownout protection
- "Self-Check" diagnostics
- Sealed, maintenance-free, long-life lead calcium battery
- White powder-coat on 20-gauge cold-rolled steel
- Universal mounting knockouts provided

Compliances may not apply to all product configurations. Please consult the product spec sheet for compliance details.

COMPLIANCES: UL924 Listed; NFPA 101 Compliant, NYC Code Compliant



A COMMERCIAL EMERGENCY LIGHT

ORDERING INFORMATION - NEW YORK CITY

Family	Capacity in Watts (Hours)				Number of Heads	Watts per Head	Max Remote Heads	Replacement Lamp	Dimensions (mm)				Shipping Weight
	1.5	2	3	4					A	B	C	D	
6 VOLT													
6ACNY1	27	-	-	-	2	12	-	6RW12	14" (355mm)	10" (254mm)	2-5/8" (67mm)	9" (229mm)	13
6ACNY4	54	44	-	-	2	12	2	6RW12	14" (355mm)	13" (330mm)	2-5/8" (67mm)	9" (229mm)	19
6ACNY5	100	75	50	-	2	12	6	6RW12	14" (355mm)	13" (330mm)	4-1/8" (165mm)	9" (229mm)	22
6ACNY5-3	100	75	50	-	3	12	5	6RW12	14" (355mm)	13" (330mm)	4-1/8" (165mm)	9" (229mm)	23
12 VOLT													
12ACNY2	27	-	-	-	2	12	-	12RW12	14" (355mm)	10" (254mm)	2-5/8" (67mm)	9" (229mm)	14
12ACNY3-3	36	-	-	-	3	12	-	12RW12	14" (355mm)	13" (330mm)	2-5/8" (67mm)	9" (229mm)	17
12ACNY4	54	44	-	-	2	12	2	12RW12	14" (355mm)	13" (330mm)	2-5/8" (67mm)	9" (229mm)	19
12ACNY4-3	54	-	-	-	3	12	1	12RW12	14" (355mm)	13" (330mm)	2-5/8" (67mm)	9" (229mm)	20
12ACNY5	100	75	50	45	2	12	6	12RW12	14" (355mm)	13" (330mm)	4-1/8" (165mm)	9" (229mm)	22
12ACNY5-3	100	-	-	-	3	12	5	12RW12	14" (355mm)	13" (330mm)	4-1/8" (165mm)	9" (229mm)	23

ORDERING INFORMATION - NATIONAL

Family	Capacity in Watts (Hours)				Number of Heads	Watts per Head	Max Remote Heads	Replacement Lamp	Dimensions (mm)				Shipping Weight
	1.5	2	3	4					A	B	C	D	
6 VOLT													
6AC27	27	22	18	-	2	9	-	6RW9	14" (355mm)	10" (254mm)	2-5/8" (67mm)	9" (229mm)	13
6AC54	54	44	36	-	2	9	4	6RW9	14" (355mm)	13" (330mm)	2-5/8" (67mm)	9" (229mm)	19
6AC100	100	75	50	45	2	9	9	6RW9	14" (355mm)	13" (330mm)	4-1/8" (165mm)	9" (229mm)	22
12 VOLT													
12AC54	54	44	36	-	2	9	4	12RW9	14" (355mm)	13" (330mm)	2-5/8" (67mm)	9" (229mm)	19
12AC100	100	75	50	45	2	9	4	12RW9	14" (355mm)	13" (330mm)	4-1/8" (165mm)	9" (229mm)	22

OPTIONS AND ACCESSORIES

Options: Add to catalog number Description	Code	Accessories: Add to catalog number Description	Code
No Heads	0	Cord Sets	
One Head	1	120 Volt	3 CP
Three Heads	3	277 Volt (specify male plug type)	3 OP
Voltmeter (1)	V	Mounting Bracket (specify model to be used with)	MBI
Ammeter (1)	A		
Time Delay	TD	Mounting Shelf (specify model to be used with)	MS
Non Standard Voltages (consult factory)			
New York City Approved	NY	Wire Guards (consult factory)	

Remote Fixtures (to order see remote fixtures section)

Notes: N.Y.B.S.A. Calendar (approval) #34013.

(1) Units may NOT be equipped with a voltmeter and ammeter at the same time.

(2) When using halogen lamps, total connected lamp load must be at least 80% of 90 min. rating, or premature lamp failure may occur.

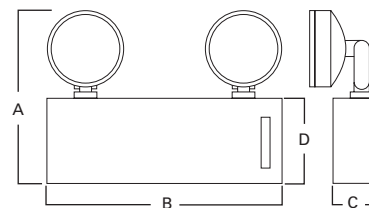


FEATURES

- Dual 120/277 VAC 60Hz input
- Solid-state charging and transfer circuitry (no relays are used)
- Two-step charger
- Housing is fabricated with 20-gauge cold-rolled steel
- Universal mounting knockouts are provided
- Sealed, maintenance-free, long-life lead calcium battery

Compliances may not apply to all product configurations. Please consult the product spec sheet for compliance details.

COMPLIANCES: UL924 Listed; NFPA 101 Compliant, NYC Code Compliant



**A LIGHT DUTY
EMERGENCY
LIGHT**

A	B	C	D
9-15/16" [252mm]	13-3/8" [340mm]	2-7/16" [26mm]	4-15/16" [125mm]

ORDERING INFORMATION - NATIONAL

Family	Capacity in Watts (Hours)				Number of Heads	Watts per Head	Max Remote Heads	Replacement Lamp	Dimensions (mm)		Dimensions (mm)		Shipping Weight
	1.5	2	3	4					A	B	C	D	
6 VOLT													
6AC10	10	-	-	-	2	5.4	-	6RW5	9-15/16" (252mm)	13-3/8" (340mm)	2-7/16" (62mm)	4-15/16" (125mm)	6

OPTIONS AND ACCESSORIES

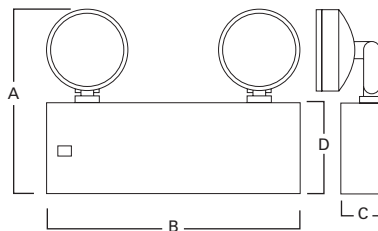
Options: Add to catalog number Description	Code	Accessories: Add to catalog number Description	Code
Halogen Lamp, 6 Volt 6 Watt	6HB6	Cord Sets	
		120 Volt	3 CP
		277 Volt (specify male plug type)	3 OP
		Wire Guards (consult factory)	

FEATURES

- Dual 120/277 VAC 60Hz input
- Solid-state charging and transfer circuitry (no relays are used)
- Two-step charger
- Circuit is battery short circuit and reverse polarity protected
- Universal mounting knockouts
- Low-voltage battery disconnect
- Brownout protected, line-latched transfer circuit

Compliances may not apply to all product configurations. Please consult the product spec sheet for compliance details.

COMPLIANCES: UL924 Listed; NFPA 101 Compliant, NYC Code Compliant



**B BUDGET
EMERGENCY
LIGHT**

ORDERING INFORMATION - NEW YORK CITY

Family	Capacity in Watts (Hours)				Number of Heads	Watts per Head	Max Remote Heads	Replacement Lamp	Dimensions (mm)				Shipping Weight
	1.5	2	3	4					A	B	C	D	
6 VOLT													
6BCNY1	27	22	18	-	2	12	-	6RW12	14" (355mm)	10" (254mm)	2-5/8" (67mm)	9" (229mm)	6
6BCNY18	18	15	-	-	2	9	-	6RW9	14" (355mm)	10" (254mm)	2-5/8" (67mm)	9" (229mm)	10
12 VOLT													
12BCNY2	27	22	18	-	2	12	-	12RW12	14" (355mm)	10" (254mm)	2-5/8" (67mm)	9" (229mm)	13
12BCNY3-3	36	-	-	-	3	12	-	12RW12	14" (355mm)	13" (330mm)	2-5/8" (67mm)	9" (229mm)	17
12BCNY4	54	44	-	-	2	12	2	12RW12	14" (355mm)	13" (330mm)	2-5/8" (67mm)	9" (229mm)	19
12BCNY4-3	54	-	-	-	3	12	1	12RW12	14" (355mm)	13" (330mm)	2-5/8" (67mm)	9" (229mm)	20

ORDERING INFORMATION - NATIONAL

Family	Capacity in Watts (Hours)				Number of Heads	Watts per Head	Max Remote Heads	Replacement Lamp	Dimensions (mm)				Shipping Weight
	1.5	2	3	4					A	B	C	D	
6 VOLT													
6BC10	10	-	-	-	2	5.4	-	6RW5	9-15/16" (252mm)	13-3/8" (340mm)	2-7/16" (62mm)	4-15/16" (125mm)	6
6BC15	15	-	-	-	2	7.2	-	6RW7	9-15/16" (252mm)	13-3/8" (340mm)	2-7/16" (62mm)	4-15/16" (125mm)	8
6BC18	18	15	-	-	2	9	-	6RW9	14" (355mm)	10" (254mm)	2-5/8" (67mm)	9" (229mm)	10
6BC27	27	22	18	-	2	9	-	6RW9	14" (355mm)	10" (254mm)	2-5/8" (67mm)	9" (229mm)	13
12 VOLT													
12BC54	54	44	36	-	2	12	2	12RW12	14" (355mm)	13" (330mm)	2-5/8" (67mm)	9" (229mm)	19

OPTIONS AND ACCESSORIES

Options: Add to catalog number	Description	Code	Accessories: Add to catalog number	Description	Code
	No Heads	0		Cord Sets	
	One Head	1		120 Volt	3 CP
	Three Heads	3		277 Volt (specify male plug type)	3 OP
	Voltmeter (1)	V		Mounting Bracket (specify model to be used with)	MBI
	Ammeter (1)	A		Mounting Shelf (specify model to be used with)	MS
	Time Delay	TD		Note: MB1 and MS are not available on Catalog #6BC10 and 6BC15	
	Non Standard Voltages (consult factory)				
	New York City Approved	NY		Wire Guards (consult factory)	

HALOGEN LAMP OPTIONS

*Only available with OS Head

Unit	Watt Lamp Only	Replacement Lamp Number
6 Volt (all units)	12	6 HB 12*
12 Volt (all units)	12	12 HB 12*

Remote Fixtures (to order see remote fixtures section)

Notes: When using halogen lamps, total connected lamp load must be at least 80% of 90 min. rating, or premature lamp failure may occur.
N.Y.B.S.A. Calendar (approval) #34013.

(1) Units may NOT be equipped with a voltmeter and ammeter at the same time.



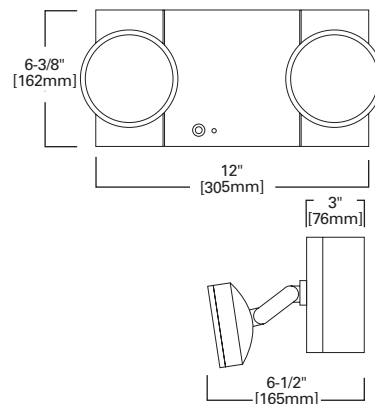
CB6 HIGH EMERGENCY LIGHT

FEATURES

- Dual 120/277 VAC 60Hz input
- Line latched, solid state voltage regulated charger
- Sturdy, impact-resistant steel housing
- Universal mounting knockout pattern
- PAR36 type heads with glare-free lens
- Fully adjustable lamp housing available
- Sealed, maintenance-free, long-life lead calcium battery
- Standard white powder-coat finish; available in black

Compliances may not apply to all product configurations. Please consult the product spec sheet for compliance details.

COMPLIANCES: UL924 Listed; NFPA 101 Compliant, NYC Code Compliant



ORDERING INFORMATION - NEW YORK CITY / NATIONAL

Family	Capacity in Watts (Hours)				Number of Heads	Watts per Head	Lamp Type	Replacement Lamp	Self Diagnostic	Shipping Weight
	1.5	2	3	4						
6 VOLT										
CB6	27	24	18	14	2	12	Incandescent	6RW12	No	13
CB6-54	54	36	27	18	2	12	Incandescent	6RW12	No	13
CB6-54-3	54	36	27	18	3	12	Incandescent	6RW12	No	13
CA6	27	24	18	14	2	12	Incandescent	6RW12	Yes	13
CA6-54	54	36	27	18	2	12	Incandescent	6RW12	Yes	13
CA6-54-3	54	36	27	18	3	12	Incandescent	6RW12	Yes	13
12 VOLT										
CB12	27	22	18	-	2	12	Incandescent	12RW12	No	14
CB12-54	54	36	27	18	2	12	Incandescent	12RW12	No	14
CB12-54-3	54	36	27	18	3	12	Incandescent	12RW12	No	14
CA12	27	22	18	-	2	12	Incandescent	12RW12	Yes	14
CA12-54	54	36	27	18	2	12	Incandescent	12RW12	Yes	14
CA12-54-3	54	36	27	18	3	12	Incandescent	12RW12	Yes	14

OPTIONS AND ACCESSORIES

Options: Add to catalog number Description	Code	Accessories: Add to catalog number Description
Voltmeter (1)	V	Wire Guards (consult factory)
Ammeter (1)	A	
Time Delay	TD	
12 Volt Operation	12	
Diagnostic Option	CA6	

HALOGEN LAMP OPTIONS

*Only available with OS Head

Unit	Watt Lamp Only	Replacement Lamp Number
6 Volt (all units)	12	6 HB 12*
6 Volt (all units)	20	6 HB 20*

Notes: N.Y.B.S.A. Calendar (approval) #34013.

(1) Units may NOT be equipped with a voltmeter and ammeter at the same time.

FEATURES

- Formed 20-gauge steel housing and cover plate construction
- T8 fluorescent lamp technology
- Durable powder-coat white finish
- High-impact acrylic lenses
- Wall and ceiling mountable
- Field adjustable bi-level or dual lamp
- Time delay and sensitivity adjustable settings
- Sealed, maintenance-free nickel cadmium battery

ENERGY DATA

See Specification Sheet for Energy Data

Compliances may not apply to all product configurations. Please consult the product spec sheet for compliance details.

COMPLIANCES: UL924 Listed; NFPA 101 Compliant

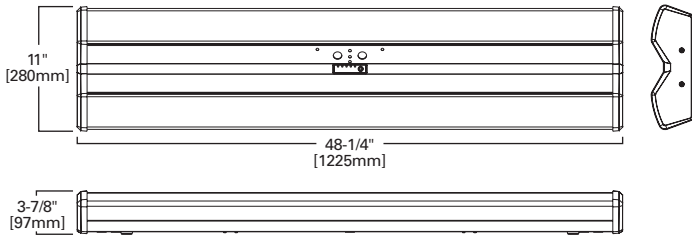


**SL2 STAIRLITE 2
MOTION SENSOR
EMERGENCY
LIGHT**

ORDERING INFORMATION

SAMPLE NUMBER: SL24

Family	Operation	Lamp	Voltage	Manufacturer
SL2=StairLite2	4=AC-Only 5=Self-Powered	[Blank]=(2) 4' Lamps F032T8	7=277 VAC [Blank]=120 VAC	3=Local #3 IBEW manufactured [Blank]=ARRA compliant



**FEATURES**

- Dual voltage input 120/277 VAC, 60Hz
- Line-latching, solid state voltage and current limited charger
- Brownout circuit, low voltage disconnect and short circuit protection
- Push-in AC power connectors facilitate installation
- Designer white, textured finish standard; black finish optional
- Injection molded components
- Components have snap-fit construction
- Cutouts provided in housing for surface conduit attachment
- Sealed, maintenance-free, long-life lead calcium battery

Compliances may not apply to all product configurations. Please consult the product spec sheet for compliance details.

COMPLIANCES: UL924 Listed; NFPA 101 Compliant

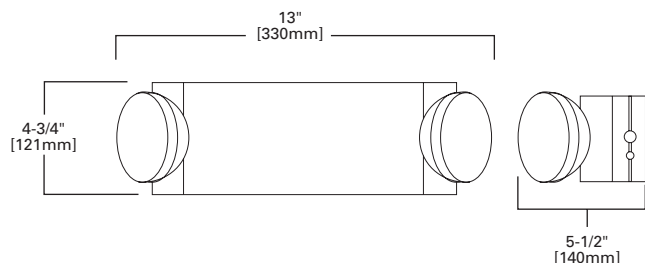
PC2 POLYCARBONATE EMERGENCY LIGHT

ORDERING INFORMATION - NATIONAL

Family	Capacity in Watts (Hours)				Number of Heads	Watts per Head	Max Remote Heads	Lamp Type	Specify Housing for all Models
	1.5	2	3	4					
6 VOLT									
PC2-10	10.8	7.2	-	-	2	5.4	-	Incandescent	WH White
PC2-27	27	24	18	14	2	9	2	Incandescent	WH White

OPTIONS AND ACCESSORIES

Options: Add to catalog number Description	Code	Accessories: Add to catalog number Description	Code
Black	BLK	Wire Guards (consult factory)	WG-1
Voltmeter*	V	* Units may NOT be equipped with a voltmeter and ammeter at the same time.	
Ammeter*	A		



FEATURES

- Dual 120/277 VAC, 60Hz input
- Made of high-impact, mar-resistant, injection-molded thermoplastic
- Two directional PAR18 incandescent gimbal-type lighting heads
- Black finish is available
- Accessorize with canopy or stem and canopy kits
- Maintenance-free lead calcium battery
- Solid-state charger with emergency output short circuit protection
- AC line-latching
- Brownout circuit and low battery voltage circuit

Compliances may not apply to all product configurations. Please consult the product spec sheet for compliance details.

COMPLIANCES: UL924 Listed; Damp Location



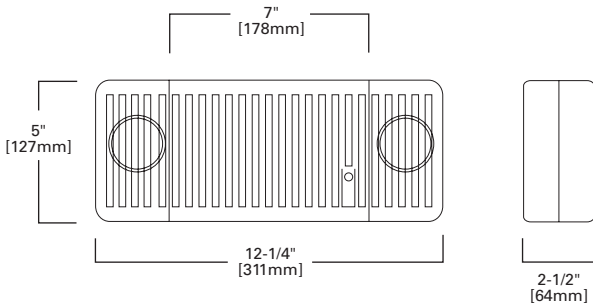
**PC1-10
CONTOURS
EMERGENCY
LIGHT**

ORDERING INFORMATION

SAMPLE NUMBER: PC1-10-BLK

Family	Optional Finish	Options and Accessories
PC1-10=Emergency Light, dual-voltage, 120/277VAC, 60 Hz ¹	BLK=Black [Blank]=White (standard)	PCW=Canopy Kit, White PCB=Canopy Kit, Black PST6=6" Stem and Canopy Kit PST12=12" Stem and Canopy Kit GXB=Wire Guard, Wall Mount, AC-Only Exit GXC=Wire Guard, Ceiling-End Wall Mount, AC-Only Exit GXBW=Wire Guard, Wall Mount, Self-Powered Exit GXBC=Wire Guard, Ceiling-End Wall Mount, Self-Powered Exit

NOTES: 1. White standard finish.

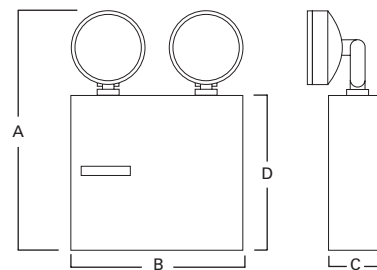


**FEATURES**

- Dual 120/277 VAC, 60Hz input
- Solid-state charger and transfer circuitry
- Momentary test switch; circuit is battery short circuit protected
- Brownout protection, low-voltage disconnect
- 6 or 12 Volt long life, maintenance-free, sealed nickel cadmium battery
- Durable, white powder-coat standard finish
- Steel units fabricated of 20-gauge steel

Compliances may not apply to all product configurations. Please consult the product spec sheet for compliance details.

COMPLIANCES: UL924 Listed; Damp Location, NYC Code Compliant



AN SPECIFICATION EMERGENCY LIGHT

ORDERING INFORMATION - NEW YORK CITY / NATIONAL

Family	Capacity in Watts (Hours)				Number of Heads	Watts per Head	Max Remote Heads	Replacement Lamp	Dimensions (mm)				Ship Weight
	1.5	2	3	4					A	B	C	D	
6 VOLT													
6AN25	25	20	14	10	2	12	-	6RW12	14" (355mm)	10" (254mm)	2-5/8" (67mm)	9" (229mm)	13
12 VOLT													
12AN50	50	36	25	10	2	12	-	12RW12	14" (355mm)	13" (330mm)	2-5/8" (67mm)	9" (229mm)	15
12AN72	72	60	50	36	2	12	-	12RW12	14" (355mm)	13" (330mm)	2-5/8" (67mm)	9" (229mm)	22

OPTIONS AND ACCESSORIES

Options: Add to Catalog Number Description	Code	Accessories: Add to catalog number Description	Code
No Heads	0	Cord Sets	
One Head	1	120 Volt	3 CP
Three Heads	3	277 Volt (specify male plug type)	0 CP
Voltmeter	V	Mounting Bracket (specify model to be used with)	MB
Time Delay	TD	Mounting Shelf (specify model to be used with)	MS
New York City Approved	NY	Wire Guards (consult factory)	GXBW

HALOGEN LAMP OPTIONS

Unit	Watt Lamp Only	Replacement Lamp Number
6 Volt (all units)	12	6 HB 12
12 Volt (all units)	12	12 HB 12

FEATURES

- Suits severe environments (e.g., walk-in freezers or parking garages)
- Dual voltage input 120/277 VAC, 60Hz, Isolation Transformer
- Push-in AC power connectors facilitate installation
- Photocell test switch (requires accessory LASER for activation)
- -30°C (-22°F) to +50°C (+122°F) ambient environments
- Two adjustable MR16 lamps
- Nickel cadmium battery
- UV-stable, glass clear, polycarbonate, vandal-resistant shield

Compliances may not apply to all product configurations. Please consult the product spec sheet for compliance details.
COMPLIANCES: UL924 Listed; Wet Location, NEMA 4X Rated, IP66 Rated, NSF Certified



**12UEL1 SERIES
EMERGENCY
LIGHT**



ORDERING INFORMATION

SAMPLE NUMBER: 12UEL1SD24

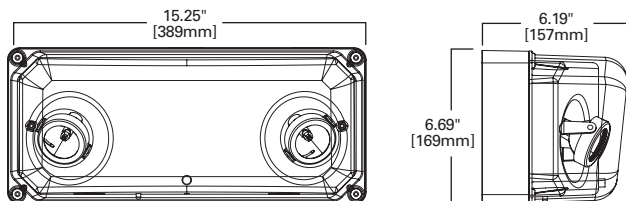
Family	Self-Diagnostics	Housing Finishes	Total Wattage	NEMA	Options
12UEL1=NEMA 4X Emergency Light	SD=Self-Diagnostics (standard)	[Blank]=Silver BK=Black WH=White	24=24 Watts	X=NEMA 4X	A=Ammeter HAZ=Hazardous Locations (Class 1, Division 2, Groups) TDM=Time Delay Monitor V=Voltmeter

Accessories (Order Separately)

- LASER=Key chain, Red Laser Pointer (activation tested at 30 feet)
- UXPKA=Pendant Kit Adapter (fitting adapts to 1/2" NPT threaded pendant)
- VRSD=#8 Centerpin Torx Screwdriver

ORDERING INFORMATION - NEW YORK CITY / NATIONAL

Family	Capacity in Watts (Hours)				Number of Heads	Watts	Lamp Type	Replacement Lamp	Ship Weight
	1.5	2	3	4					
12 VOLT									
12UEL1SD24X	24	-	-	-	2	12	MR16	29-141	-



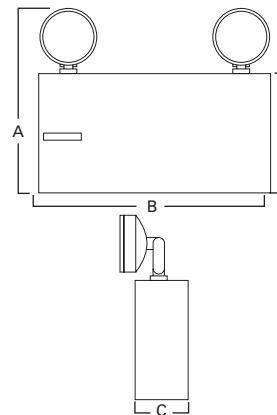


FEATURES

- Dual 120/277 VAC 60 Hz input
- Solid-state charging and transfer circuitry
- Two-step charger
- Circuit is battery short circuit and reverse polarity protected
- Brownout protected, line-latched transfer circuit
- Output is electronically short circuit and overload protected
- Housing fabricated with 18-gauge cold-rolled steel

Compliances may not apply to all product configurations. Please consult the product spec sheet for compliance details.

COMPLIANCES: UL924 Listed; NFPA 101 Compliant, NYC Code Compliant



**H INDUSTRIAL
EMERGENCY
LIGHT**

ORDERING INFORMATION - NEW YORK CITY

Family	Capacity in Watts (Hours)				Number of Heads	Watts per Head	Max Remote Heads	Replacement Lamp	Dimensions (mm)				Shipping Weight
	1.5	2	3	4					A	B	C	D	
6 VOLT													
6HCNY7	200	150	100	90	2	12	-	6RW12	14" (355mm)	18-5/8" (473mm)	4" (102mm)	9" (229mm)	38
12 VOLT													
12HCNY7	200	150	100	90	2	12	-	12RW12	14" (355mm)	18-5/8" (473mm)	4" (102mm)	9" (229mm)	38
12HCNY8	300	225	150	135	2	12	-	12RW12	14" (355mm)	18-5/8" (473mm)	7-1/2" (191mm)	9" (229mm)	64
12HCNY9	400	300	200	180	2	12	-	12RW12	14" (355mm)	18-5/8" (473mm)	7-1/2" (191mm)	9" (229mm)	74

ORDERING INFORMATION - NATIONAL

Family	Capacity in Watts (Hours)				Number of Heads	Watts per Head	Max Remote Heads	Replacement Lamp	Dimensions (mm)				Shipping Weight
	1.5	2	3	4					A	B	C	D	
6 VOLT													
6HC200	200	150	100	90	2	9	-	6RW9	14" (355mm)	18-5/8" (473mm)	4" (102mm)	9" (229mm)	38
12 VOLT													
12HC200	200	150	100	90	2	9	-	12RW9	14" (355mm)	18-5/8" (473mm)	4" (102mm)	9" (229mm)	38
12HC300	300	225	150	135	2	9	-	12RW9	14" (355mm)	18-5/8" (473mm)	7-1/2" (191mm)	9" (229mm)	64
12HC400	400	300	200	180	2	9	-	12RW9	14" (355mm)	18-5/8" (473mm)	7-1/2" (191mm)	9" (229mm)	74

OPTIONS AND ACCESSORIES

Options: Add to catalog number Description	Code	Accessories: Add to catalog number Description	Code
No Heads	0	Cord Sets	
One Head	1	120 Volt	3 CP
Three Heads	3	277 Volt (specify male plug type)	3 OP
Voltmeter (1)	V	Mounting Bracket (specify model to be used with)	MBI
Ammeter (1)	A		
Time Delay	TD	Mounting Shelf (specify model to be used with)	MS
Non Standard Voltages (consult factory)			
New York City Approved	NY	Wire Guards (consult factory)	

HALOGEN LAMP OPTIONS

*Only available with OS Head

Unit	Watt Lamp Only	Replacement Lamp Number
6 Volt (all units)	12	6 HB 12*
12 Volt (all units)	12	12 HB 12*

Remote Fixtures (See remote fixtures)

Notes: N.Y.B.S.A. Calendar (approval) #34013.

(1) Units may NOT be equipped with a voltmeter and ammeter at the same time.

Note: When using halogen lamps, total connected lamp load must be at least 80% of 90 min. rating, or premature lamp failure may occur.

FEATURES

- Dual 120/277 VAC, 60Hz input
- Solid-state charging and transfer circuitry
- Low-voltage disconnect in lead calcium units
- Circuit is battery short circuit and brownout protected
- Reverse polarity protected
- Line-latched transfer circuit
- Output is electronically short circuit and overload protected
- Low-voltage disconnect in lead calcium units
- NEMA 4X Rated

Compliances may not apply to all product configurations. Please consult the product spec sheet for compliance details.

COMPLIANCES: UL924 Listed; NFPA 101 Compliant

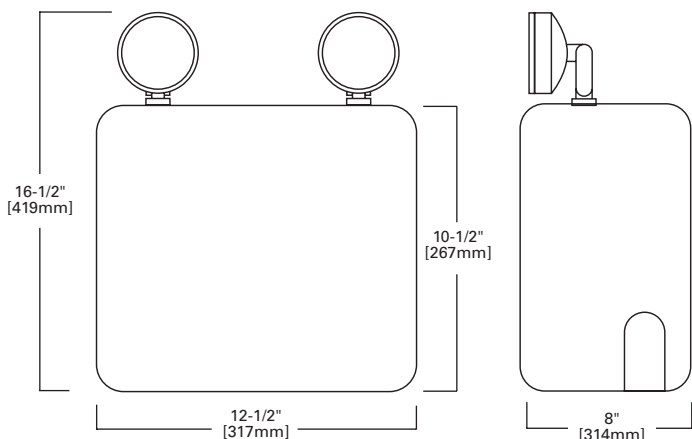


**X SERIES NEMA
EMERGENCY
LIGHT**

ORDERING INFORMATION

SAMPLE NUMBER: 6XC27-3

Voltage	Family	Battery Type	Capacity in Watts (90 minutes)	Options and Accessories
12=12 Volts 6=6 Volts	X=NEMA	C=Lead Calcium NC=NiCad	100=12V Lead Calcium 27=6V/12V Lead Calcium 50=6V/12V NiCad 54=6V/12V Lead Calcium 72=12V NiCad	<p>Accessories</p> <p>0 CP=277V (Specify Male Plug Type) 3 CP=120V GXBW=Wire Guards MS=Mounting Shelf TD=Time Delay Kit</p> <p>Options</p> <p>0=No Heads 1=One Head 3=Three Heads NY=New York City Approved</p>



**FEATURES**

- Dual 120/277 VAC, 60Hz input
- Solid-state charging and transfer circuitry
- Two-step charger
- Battery short circuit and reverse polarity protected
- Brownout protected; line-latched transfer circuit
- Output is electronically short circuit and overload protected
- Low-voltage disconnect
- Mounting brackets supplied
- 18" and 27" rigid mounting bars available

Compliances may not apply to all product configurations. Please consult the product spec sheet for compliance details.

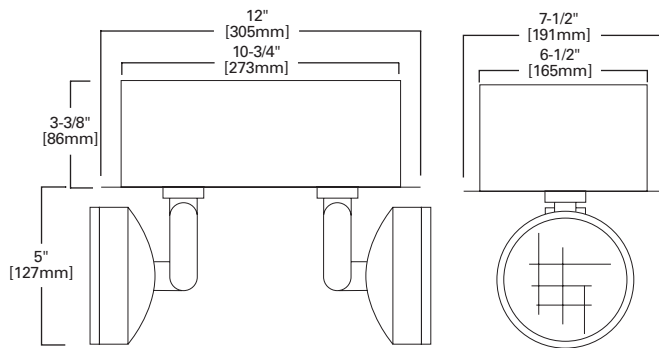
COMPLIANCES: UL924 Listed; Damp Location, NYC Code Compliant

ROB RECESSED OBLONG EMERGENCY LIGHT

ORDERING INFORMATION - NEW YORK CITY / NATIONAL

Family	Capacity in Watts (Hours)				Number of Heads	Watts per Head	Lamp Number	Lamp Description	Shipping Weight
	1.5	2	3	4					
6 VOLT									
6ROB10	10	-	-	-	2	5.4	6RW5	Incandescent Wedge Base	6
12 VOLT									
12ROB24	24	-	-	-	2	12	12RW12	Incandescent Wedge Base	7

Option: Nickel Cadmium battery, add NC.



FEATURES

- Dual 120/277 VAC, 60Hz input
- Solid-state charger and transfer circuitry
- Two-step charger
- Circuit is battery short circuit and reverse polarity protected
- Brownout protection, low-voltage disconnect
- 6 or 12 Volt sealed, nickel cadmium battery
- Steel units fabricated of 18-gauge steel
- Durable, white powder-coat standard finish

Compliances may not apply to all product configurations. Please consult the product spec sheet for compliance details.

COMPLIANCES: UL924 Listed; NFPA 101 Compliant, NYC Code Compliant



**ST RECESSED
EMERGENCY
LIGHT**

ORDERING INFORMATION - NEW YORK CITY / NATIONAL

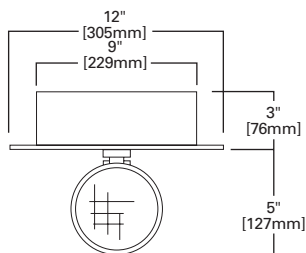
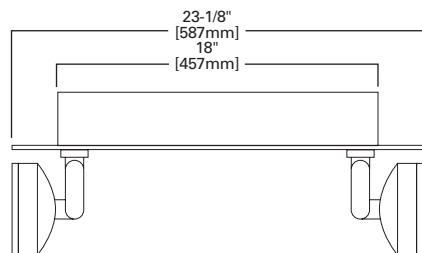
Family	Capacity in Watts (Hours)				Number of Heads	Watts per Head	Lamp Type	Replacement Lamp
	1.5	2	3	4				
6 VOLT								
6ST1	27	22	18	-	2	9	Incandescent	6RW9
6ST4	54	44	36	-	2	9	Incandescent	6RW9
6ST5	100	75	50	45	2	9	Incandescent	6RW9
12 VOLT								
12ST1	27	22	18	-	2	12	Incandescent	12RW12
12ST4	54	44	36	-	2	12	Incandescent	12RW12

OPTIONS AND ACCESSORIES

Options: Add to catalog number Description	Code	Accessories: Add to catalog number Description	Code
No Heads	0	Cord Sets	
One Head	1	120 Volt	3 CP
Three Heads	3	277 Volt (specify male plug type)	0 CP
Four Heads	4		
Voltmeter (1)	V		
Time Delay	TD		
Nickel Cadmium Battery	NC		
New York City Approved	NY		

HALOGEN LAMP OPTIONS ⁽¹⁾ <small>*Only available with OS Head</small>		
Unit	Watt Lamp Only	Replacement Lamp Number
6 Volt (all units)	12	6 HB 12*
12 Volt (all units)	12	12 HB 12*

Notes: N.Y.B.S.A. Calendar (approval) #34013.
 (1) When using halogen lamps, total connected lamp load must be at least 80% of 90 min. rating, or premature lamp failure may occur.

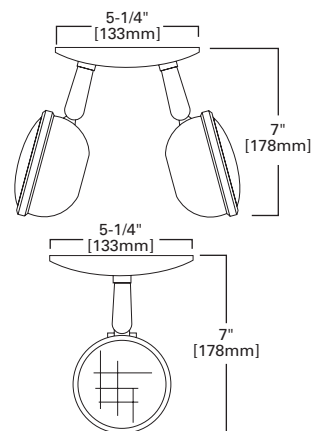


**FEATURES**

- All metal heads
- Choose single, double or triple remote heads
- Double-joint adjustable 359-degree swivel
- Brushed aluminum standard (other finishes available)
- Mounts to standard 4" round junction box
- 6 or 12 Volt wedge-base incandescent lamp is standard

Compliances may not apply to all product configurations. Please consult the product spec sheet for compliance details.

COMPLIANCES: UL924 Listed; Wet Location, NYC Code Compliant



RF SURFACE HEADS - METAL REMOTE

ORDERING INFORMATION - NEW YORK CITY / NATIONAL

Family	Number of Heads	Shipping Weight
RF401	1	2
RF402	2	4
RF403	3	6

Note: Maximum wattage per head is 50 watts. Please specify lamp when ordering.

ACCESSORIES AND OPTIONS

Watts	Lamp Catalog Number	Lumens	ISO Footcandle Chart Number	Watts	Lamp Catalog Number	Lumens	ISO Footcandle Chart Number
-------	---------------------	--------	-----------------------------	-------	---------------------	--------	-----------------------------

INCANDESCENT PAR 36 SEALED BEAM

6 VOLT			
7.2	6RS7	95	2
9.0	6RS9	108	3
12.0	6RS12	137	10
18.0	6RS18	158	8
25.0	6RS25	318	9
30.0	6RS30	380	--
12 VOLT			
9.0	12RS9	111	3
12.0	12RS12	177	10
18.0	12RS18	213	8
25.0	12RS25	327	11
35.0	12RS35	439	--

HALOGEN - BI-PIN

6 VOLT			
6.0	6HB6	113	3
8.0	6HB8	163	4
10.0	6HB10	201	5
12.0	6HB12	302	6
20.0	6HB20	402	7
12 VOLT			
8.0	12HB8	163	4
12.0	12HB12	302	6

Watts	Lamp Catalog Number	Lumens	ISO Footcandle Chart Number
-------	---------------------	--------	-----------------------------

INCANDESCENT DOUBLE CONTACT BAYONET BASE

6 VOLT			
6.0	6RD6	56	2
13.0	6RD13	122	2
18.0	6RD18	211	5
28.0	6RD25	360	6
12 VOLT			
6.0	12RD6	56	2
13.0	12RD13	153	4
28.0	12RD28	360	6

Watts	Lamp Catalog Number	Lumens	ISO Footcandle Chart Number
-------	---------------------	--------	-----------------------------

INCANDESCENT PAR36 SEALED BEAM

6 VOLT			
6.0	6HS6	107	3
8.0	6HS8	155	4
10.0	6HS10	191	5
12.0	6HS12	302	6
20.0	6HS20	382	7
12 VOLT			
8.0	12HS8	155	4
12.0	12HS12	302	6

Watts	Lamp Catalog Number	Lumens	ISO Footcandle Chart Number
-------	---------------------	--------	-----------------------------

INCANDESCENT WEDGE BASE

6 VOLT			
3.6	6RW3	50	1
5.4	6RW5	75	*
7.2	6RW7	101	2
9.0	6RW9	132	3
12.0	6RW12	163	4
12 VOLT			
5.4	12RW5	75	*
9.0	12RW9	132	3
12.0	12RW12	163	4
18.0	12RW18	260	6

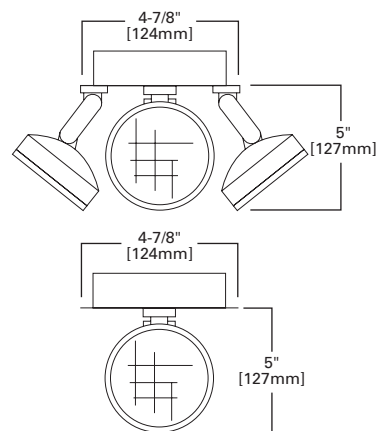
* Photometrics for 6RW5 and 12RW5 use 75% of ISO Chart No. 2

FEATURES

- Thermoplastic heads
- Choose single, double or triple remote heads
- Double-joint adjustable 359-degree swivel
- White finish standard
- Mounts to standard 4" round junction box
- 6 or 12 Volt wedge-base incandescent lamp is standard
- Gray finish standard on weatherproof (WP) units
- Halogen lamp options only available with OS (pinchback style) head

Compliances may not apply to all product configurations. Please consult the product spec sheet for compliance details.

COMPLIANCES: UL924 Listed; Damp Location



RF SURFACE HEADS - PLASTIC REMOTE

ORDERING INFORMATION - NEW YORK CITY / NATIONAL

Catalog Number	Number of Heads	Shipping Weight
RF301	1	2
RF302	2	4
RF303	3	6
RF301-OS*	1	2
RF302-OS*	2	4
RF303-OS*	3	6

Note: Maximum wattage per head is 25 watts. Please specify lamp when ordering.

*Sealed Beam Lamps will be used with OS Head only

ACCESSORIES AND OPTIONS

Options: Add to Catalog Number Description	Code	Watts	Lamp Catalog Number	Lumens	ISO Footcandle Chart Number
Weatherproof	WP				

Watts	Lamp Catalog Number	Lumens	ISO Footcandle Chart Number
INCANDESCENT PAR 36 SEALED BEAM			
6 VOLT			
7.2	6RS7	95	2
9.0	6RS9	108	3
12.0	6RS12	137	10
18.0	6RS18	158	8
25.0	6RS25	318	9
30.0	6RS30	380	--
12 VOLT			
9.0	12RS9	111	3
12.0	12RS12	177	10
18.0	12RS18	213	8
25.0	12RS25	327	11
35.0	12RS35	439	--

Watts	Lamp Catalog Number	Lumens	ISO Footcandle Chart Number
INCANDESCENT WEDGE BASE			
6 VOLT			
3.6	6RW3	50	1
5.4	6RW5	75	*
7.2	6RW7	101	2
9.0	6RW9	132	3
12.0	6RW12	163	4
12 VOLT			
5.4	12RW5	75	*
9.0	12RW9	132	3
12.0	12RW12	163	4
18.0	12RW18	260	6

HALOGEN - BI-PIN

Watts	Lamp Catalog Number	Lumens	ISO Footcandle Chart Number
6 VOLT			
6.0	6HB6	113	3
8.0	6HB8	163	4
10.0	6HB10	201	5
12.0	6HB12	302	6
20.0	6HB20	402	7
12 VOLT			
8.0	12HB8	163	4
12.0	12HB12	302	6

Watts	Lamp Catalog Number	Lumens	ISO Footcandle Chart Number
INCANDESCENT DOUBLE CONTACT BAYONET BASE			
6 VOLT			
6.0	6RD6	56	2
13.0	6RD13	122	2
18.0	6RD18	211	5
28.0	6RD25	360	6
12 VOLT			
6.0	12RD6	56	2
13.0	12RD13	153	4
28.0	12RD28	360	6

Watts	Lamp Catalog Number	Lumens	ISO Footcandle Chart Number
INCANDESCENT PAR36 SEALED BEAM			
6 VOLT			
6.0	6HS6	107	3
8.0	6HS8	155	4
10.0	6HS10	191	5
12.0	6HS12	302	6
20.0	6HS20	382	7
12 VOLT			
8.0	12HS8	155	4
12.0	12HS12	302	6

Mounting Shelf

Description

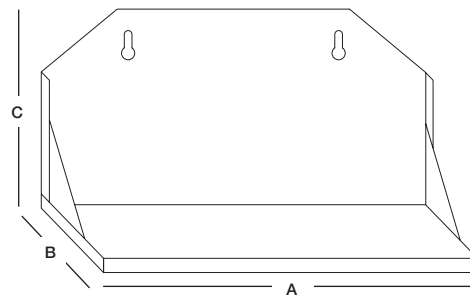
The AtLite Mounting Shelf simplifies installation of many emergency lighting units. Specify the fixture to be mounted when ordering shelf.

Family	Dimensions - (mm)		
	A	B	C
MS100	14-1/2" (368mm)	5-1/8" (130mm)	8-1/2" (216mm)
MS200	20" (508mm)	5-1/8" (130mm)	8-1/2" (216mm)

MOUNTING SHELF FOR UNIT EQUIPMENT

When ordering, please specify catalog number of unit to be used with shelf.

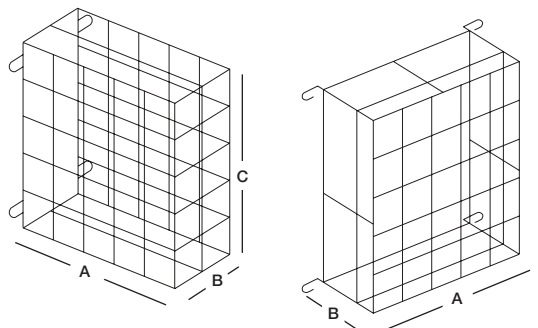
- 14 gauge steel
- Corrosion resistant undercoat
- White powder coat finish
- Keyhole mounting slots provided
- 1/2" retaining lip on three sides



Wire Guards

Description

AtLite Wire Guards can be used with emergency or exit units. Screw eyes are provided for ease of mounting. Attractive white powder coat finish allows guard to blend into background.



WIRE GUARDS

Family	Mount	For use with	Dimensions (mm)		
			A	B	C
GXB	Wall	AC Only Exit	16-3/8" (416mm)	6-5/8" (168mm)	16-3/8" (416mm)
GXC	Ceiling-End Wall	AC Only Exit	16-3/8" (416mm)	6-5/8" (168mm)	16-3/8" (416mm)
GXBW	Wall	Self-Powered Equipment	19-1/4" (489mm)	9-5/8" (244mm)	16-1/4" (413mm)
GXBC	Ceiling-End Wall	Self-Powered Equipment	19-1/4" (489mm)	9-5/8" (244mm)	16-1/4" (413mm)

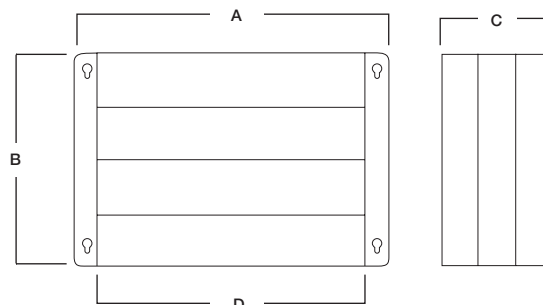
When ordering, please specify catalog number of unit to be used with guard.

- Collapsible wire construction
- White powder coat finish
- Corrosion resistant undercoat

Heavy Duty Guards

Description

Originally designed for use in New York City Schools, AtLite's series of heavy duty guards are constructed of 18 gauge 1/2" angle welded steel. Guards for battery units and remotes will allow for full adjustment of the heads. Keyhole slots are included on all guards for easy installation and maintenance. Standard powder coat finish is available in black or white.



A GUARD	15" W x 10" H x 13-1/2" D — For use with QFL fixtures.
AE GUARD	25-7/8" W x 18" H x 10" D — For use with all battery units with and without heads-up to 400W. Std. Finish - White.
CE GUARD	18" W x 8-3/4" H x 9-5/8" D — For use with two and three head remotes as well as certain battery units (PC1-10, CB6 as examples). Std. Finish - White
EXW GUARD	19-3/4" W x 12-1/2" H x 5" D — For use with 6" and 8" WALL mounted exits. Std. Finish - Black
EXE GUARD	19" W x 13" H x 5-1/4" D — For use with 6" and 8" end mounted exits. Std. Finish - Black

Guard	A	B	C	D
A	15" (381mm)	10" (254mm)	13-1/2" (343mm)	12-7/8" (327mm)
AE	25-7/8" (657mm)	18" (457mm)	10" (254mm)	23-7/8" (606mm)
CE	20" (508mm)	8-3/4" (222mm)	9-5/8" (244mm)	18" (457mm)
EXW	19-3/4" (502mm)	12-1/2" (318mm)	5" (127mm)	17-3/4" (451mm)
EXE	5-1/4" (133mm)	13" (330mm)	19" (483mm)	3-1/4" (83mm)

Low Voltage Remote Option

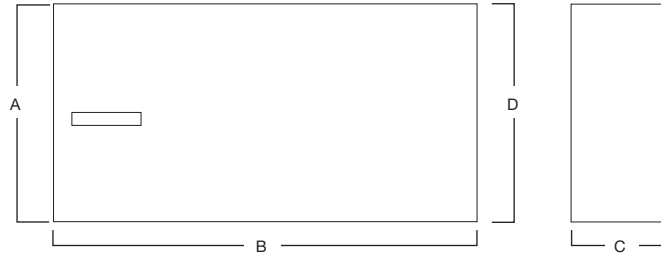
Description

The AtLite Low Voltage Remote Option is a factory-installed option that allows connection of MR16 type lamp remote low voltage fixtures on selected emergency lighting models. Use of this option will allow low voltage lighting, such as decorative overhead and counter display lighting, to be part of the emergency lighting plan.

The option accomplishes this with a series of control relays that when wired according to the instructions disconnect the secondary of the transformer supplied with the low voltage fixtures applying emergency power to the MR16 lamp(s) for 90 minutes during a power failure. Each low voltage fixture is contractor connected to a relay circuit by means of screw terminals. Circuit markings located adjacent to the screw terminals assures proper wiring. As much as 100 watts per circuit or 50 watts per fixture can be connected to a circuit. Four circuits can be accommodated with a maximum of 100 watts per each circuit.

It is important that any of the selected emergency lights, (minimum 54 watts), be ordered less lighting heads. The addition of a suffix indicating the amount of circuits required must be added to the model number. Example 12HC400-0-4LVR represents a selected 400 watt unit without lighting heads and with four (4) circuits (relays) for use with up to 8-50watt MR16 fixtures.

Note: LVR system for use with magnetic low voltage transformer only.



Ordering Information - New York City

Catalog No.	Capacity in Watts (Hours)				Dimensions - (mm)				Ship Weight	Number of LVRs	Number of MR16 Fixtures
	1.5	2	3	4	A	B	C	D			
12 VOLT											
12ACNY4-0	54	44	--	--	14"	13"	2-5/8"	9"	19	1	1
					(355mm)	(330mm)	(67mm)	(229mm)			
12ACNY5-0	100	75	50	45	14"	13"	4-1/8"	9"	22	1	2
					(355mm)	(330mm)	(165mm)	(229mm)			
12HCNY7-0	200	150	100	90	14"	18-5/8"	4"	9"	38	2	4
					(355mm)	(473mm)	(102mm)	(229mm)			
12HCNY8-0	300	225	150	135	14"	18-5/8"	7-1/2"	9"	64	3	6
					(355mm)	(473mm)	(191mm)	(229mm)			
12HCNY9-0	400	300	200	180	14"	18-5/8"	7-1/2"	9"	74	4	8
					(355mm)	(473mm)	(191mm)	(229mm)			

Ordering Information - National

Catalog No.	Capacity in Watts (Hours)				Dimensions - (mm)				Ship Weight	Number of LVRs	Number of MR16 Fixtures ⁽¹⁾
	1.5	2	3	4	A	B	C	D			
12 VOLT											
12AC54-0	54	44	36	--	14"	13"	2-5/8"	9"	19	1	1
					(355mm)	(330mm)	(67mm)	(229mm)			
12AC100-0	100	75	50	45	14"	13"	4-1/8"	9"	22	1	2
					(355mm)	(330mm)	(165mm)	(229mm)			
12HC200-0	200	150	100	90	14"	18-5/8"	4"	9"	38	2	4
					(355mm)	(473mm)	(102mm)	(229mm)			
12HC300-0	300	225	150	135	14"	18-5/8"	7-1/2"	9"	64	3	6
					(355mm)	(473mm)	(191mm)	(229mm)			
12HC400-0	400	300	200	180	14"	18-5/8"	7-1/2"	9"	74	4	8
					(355mm)	(473mm)	(191mm)	(229mm)			

⁽¹⁾Based on 50W MR16 fixture, other wattage consult factory

Options And Accessories

Ordering Information – add to selected Catalog Number⁽¹⁾

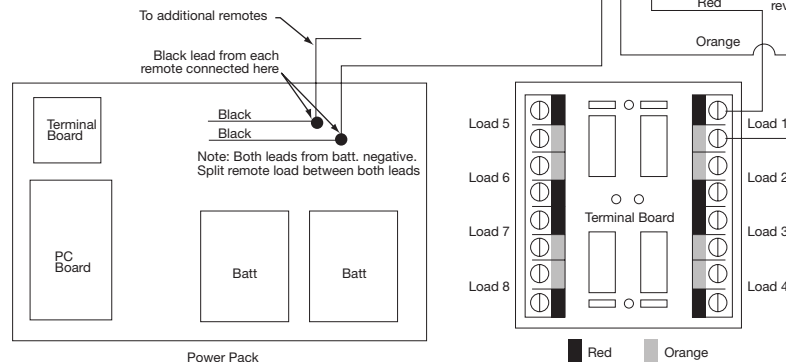
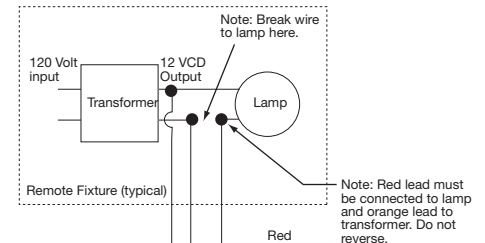
1LVR Low Voltage Remote Option with one (1) circuit

2LVR Low Voltage Remote Option with two (2) circuits

3LVR Low Voltage Remote Option with three (3) circuits

4LVR Low Voltage Remote Option with four (4) circuits

⁽¹⁾ Low Voltage Remote Option is factory installed only; not available for field installation.



Caution: Total connected load must not exceed battery capacity. Typically each connected remote fixture requires 50 watts each. Battery units are supplied with 100, 200, 300 or 400 watt capacities.

Please check for battery capacity before connecting remotes.

Eaton's Cooper Lighting Business

Headquarters
1121 Highway 74 South
Peachtree City, GA 30269
P: 770-486-4800
www.cooperlighting.com

Canada Sales

5925 McLaughlin Road
Mississauga, Ontario L5R 1B8
P: 905-501-3000
F: 905-501-3172

Our Lighting Product Brands

Halo
Halo Commercial
Portfolio
IRiS
RSA
Metalux
Corelite
Neo-Ray
Fail-Safe
MWS
Ametrix
Shaper
io
Lumark
McGraw-Edison
Invue
Lumière
Streetworks
AtLite
Sure-Lites

Our Controls Product Brands

Greengate
iLumin
Zero 88
Fifth Light Technology
iLight (International Only)